



Burley[®]



IMPORTANT

READ CAREFULLY AND KEEP
FOR FUTURE REFERENCE

IMPORTANT

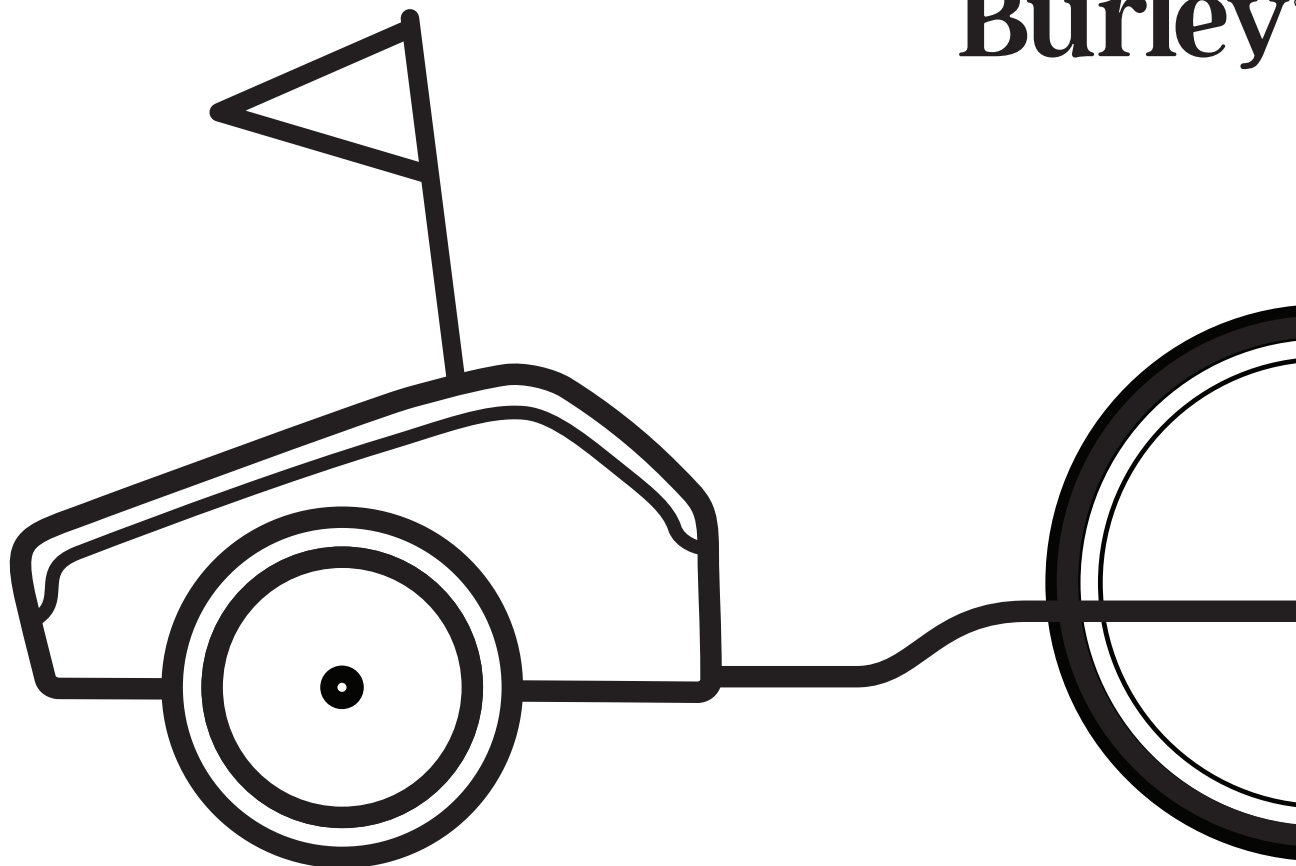
A LIRE ATTENTIVEMENT
ET À CONSERVER POUR
RÉFÉRENCE ULTÉRIEURE

WICHTIG

BITTE SORGFÄLTIG LESEN UND
FÜR SPÄTERES NACHLESEN
UNBEDINGT AUFBEWAHREN

IMPORTANTE

LEER DETENIDAMENTE
Y MANTENERLAS PARA
FUTURAS CONSULTAS



Nomad[™]

OWNER'S INSTRUCTION & SAFETY MANUAL

Contents

ENG

3

INTRODUCTION

- 3 Safety Guidelines
- 5 Box Contents
- 5 Burley Trailer Guide

ASSEMBLY & USE

- 6 Unfolding and Folding Your Trailer
- 6 Installing the Tow Bar
- 7 Attaching the Wheels
- 7 Attaching the Cover and Flag
- 7 Connecting the Trailer to Your Bicycle

MAINTENANCE

- 8 Before You Ride
- 8 Maintaining Your Burley

CUSTOMER SERVICE

- 8 Connect with Burley
- 8 Product Identification
- 8 Burley Limited Warranty

DEU

9

EINLEITUNG

- 3 Sicherheitsrichtlinien
- 9 Verpackungsinhalt
- 9 Anleitung für Burley Anhänger

MONTAGE UND VERWENDUNG

- 10 Aufklappen Ihres Anhängers
- 10 Montage der Zugstange
- 11 Befestigung der Räder
- 11 Anbringen der Abdeckung und des Wimpels
- 11 Ankoppeln Ihres Anhängers

WARTUNG

- 12 Vor dem Fahren
- 12 Wartung Ihres Burley

KUNDENDIENST

- 12 Mit Burley verbinden
- 12 Produktkennzeichnung
- 12 Eingeschränkte Garantie von Burley

FRA

13

INTRODUCTION

- 4 Consignes de Sécurité
- 13 Contenu de la Boîtes
- 13 Guide des remorques Burley

ASSEMBLAGE ET UTILISATION

- 14 Dépliage de la remorque
- 14 Installation de la barre de remorquage
- 15 Fixation des roues
- 15 Fixation du toit et du fanion
- 15 Accrochage de la remorque

MAINTENANCE

- 16 Avant d'utiliser votre produit
- 16 Entretien de votre produit Burley

SERVICE CLIENT

- 16 Restez connecté avec Burley
- 16 Identification du Produit
- 16 Garantie limitée Burley

ESP

17

INTRODUCCIÓN

- 4 Directrices de seguridad
- 17 Contenidos de la caja
- 17 Guía del remolque Burley

MONTAJE Y USO

- 18 Despliegue del remolque
- 18 Instalación de la barra de remolque
- 19 Colocación de las ruedas
- 19 Colocación de la cubierta y la bandera
- 19 Conexión de su remolque

MANTENIMIENTO

- 20 Antes de circular con la bicicleta
- 20 Mantenimiento de su Burley

SERVICIO AL CLIENTE

- 20 Contacto con Burley
- 20 Identificación del Producto
- 20 Garantía limitada de Burley



IMPORTANT

BEFORE USING YOUR TRAILER, PLEASE FAMILIARIZE YOURSELF WITH THIS BURLEY MANUAL. FOR QUESTIONS AND ADDITIONAL INFORMATION, PLEASE CONTACT YOUR AUTHORIZED BURLEY DEALER OR VISIT WWW.BURLEY.COM.



WICHTIG

BEVOR SIE IHREN ANHÄNGER BENUTZEN, MACHEN SIE SICH BITTE MIT DIESER GEBRAUCHSANLEITUNG VON BURLEY VERTRAUT. BEI FRAGEN ODER FÜR ZUSÄTZLICHE INFORMATIONEN, KONTAKTIEREN SIE BITTE IHREN AUTORISIERTEN BURLEY-HÄNDLER ODER BESUCHEN SIE UNS UNTER WWW.BURLEY.COM.



IMPORTANT

AVANT D'UTILISER VOTRE REMORQUE, VEUILLEZ LIRE CE MANUEL BURLEY. POUR PLUS D'INFORMATIONS ET SI VOUS AVEZ DES QUESTIONS, VEUILLEZ CONTACTER VOTRE REVENDEUR AGRÉÉ BURLEY OU VISITER LE SITE INTERNET WWW.BURLEY.COM.



IMPORTANTE

ANTES DE USAR SU REMOLQUE, LEA ATENTAMENTE ESTE MANUAL DE BURLEY. SI TIENE CUALQUIER PREGUNTA O NECESITA INFORMACIÓN ADICIONAL, PÓNGASE EN CONTACTO CON SU DISTRIBUIDOR AUTORIZADO BURLEY O VISITE WWW.BURLEY.COM.



WARNING

FAILURE TO COMPLY WITH THE INSTRUCTIONS AND WARNINGS IN THIS MANUAL COULD RESULT IN SERIOUS INJURY OR DEATH OF THE PASSENGER OR RIDER.

- Recommended speed limits:
 - 15 mph (24 km/h) on smooth, straight roads
 - 5 mph (8 km/h) when turning or on uneven roads
- DO NOT carry passengers or pets
- DO NOT use with a total load that exceeds the weight limits
- DO NOT make modifications to the trailer
- DO NOT over-inflate the tires. Failure to comply with the rated tire sidewall pressure may lead to explosion of the tire and possible injury.
- It is recommended that a qualified bicycle mechanic does a safety check of the towing bicycle before attaching the trailer. Before each ride, be sure the trailer does not interfere with braking, pedaling or steering of the bicycle. It is recommended that a rearview mirror be used on the bike.
- Always comply with local regulations when using the trailer on public roadways. Never ride a bicycle at night without adequate lighting. Obey all local legal requirements for lighting. The red reflectors that came with the trailer must remain attached and visible at all times. If you need to come to a stop for any reason, to make adjustments or to address a flat tire, be sure to pull off of the road completely.
- Because of the trailer's weight, a bicycle pulling a trailer is heavier and less responsive. Avoid rocks, curbs, hard braking and sudden swerving. Experiment with the loaded trailer in an uncongested area until you become familiar with how your bike handles towing a trailer. Avoid riding over obstacles with one wheel – as this may cause the trailer to tip over.
- Use good judgment when deciding if weather, road or traffic conditions are safe to use a Burley. Recommended temperature limits for using a Burley trailer are 20°F to 100°F (-7°C to 38°C).
- Failure to comply with the instructions and safety guidelines in this manual could result in serious injury or death of the rider.
- If attaching an accessory to your trailer, make sure to read and follow all warnings and instructions that are included with the accessory kit.



WARNHINWEIS

DIE NICHTBEACHTUNG DER ANWEISUNGEN UND SICHERHEITSHINWEISE IN DIESER ANLEITUNG KANN ZU SCHWEREN VERLETZUNGEN ODERZUM TOD DES FAHRGASTES ODER FAHRERS FÜHREN.

- Empfohlene Geschwindigkeitsbegrenzungen:
 - 24 km/h auf glatten, geraden Straßen
 - 8 km/h in Kurven oder auf unebenen Straßen
 - KEINE Personen oder Haustiere befördern.
 - Benutzen Sie den Anhänger NICHT mit einer Gesamtladung, die die
 - Gewichtsbegrenzungen übersteigt
 - Nehmen Sie KEINE Veränderungen des Anhängers vor. Zu hohen Reifendruck vermeiden. Nichteinhaltung des Nenndrucks für die Seitenwand kann zum Platzen des Reifens und zu möglichen Verletzungen führen.
 - Es wird empfohlen, eine Sicherheitsprüfung des Zugrads von einem qualifizierten Fahrradmechaniker durchführen zu lassen, bevor der Anhänger angekoppelt wird. Achten Sie vor jeder Fahrt darauf, dass der Anhänger nicht die Bremsen, Pedalen oder Lenkung des Fahrrads behindert. Es wird empfohlen, einen Rückspiegel am Fahrrad anzubringen.
 - Befolgen Sie stets lokale Regelungen bei der Nutzung des Anhängers auf öffentlichen Straßen. Fahren Sie das Fahrrad niemals ohne ausreichende Beleuchtung bei Nacht. Befolgen Sie alle lokalen Beleuchtungsvorschriften. Die roten, mit dem Anhänger mitgelieferten Reflektoren müssen angebracht werden und jederzeit sichtbar sein. Wenn Sie aus irgendeinem Grund stehen bleiben müssen, z. B. für Einstellungen oder wegen eines platten Reifens, achten Sie darauf, die Straße vollständig zu verlassen.
 - Aufgrund des Anhängergewichts ist ein Fahrrad, das einen Anhänger zieht, schwerer und reagiert langsamer. Vermeiden Sie Steine, Schlaglöcher, hartes Bremsen und plötzliches Ausweichen.
- Experimentieren Sie mit dem beladenen Anhänger an einem wenig befahrenen Ort, bis Sie mit der Handhabung des Fahrrads in Verbindung mit dem Anhänger vertraut sind. Vermeiden Sie das Fahren mit einem Rad über Hindernisse – da der Anhänger dabei umkippen kann.
- Benutzen Sie den gesunden Menschenverstand bei der Entscheidung, ob Wetter-, Straßen- oder Verkehrsbedingungen für die Nutzung eines Burley sicher sind. Die empfohlenen Temperaturgrenzen für die Nutzung des Burley Anhängers sind -7 °C bis 38 °C).
 - Die Nichtbefolgung der Anweisungen und Sicherheitsrichtlinien in dieser Anleitung kann zu ernsthaften Verletzungen oder zum Tod des Radfahrers führen.
 - Wenn Sie Zubehör an Ihrem Anhänger anbringen, lesen und befolgen Sie unbedingt alle Warnungen und Anweisungen, die dem Zubehörsatz beiliegen.



AVERTISSEMENT

LE NON-RESPECT DES INSTRUCTIONS ET CONSIGNES DE SÉCURITÉ DE CE MANUEL PEUT ENTRAÎNER DES BLESSURES GRAVES, VOIRE LA MORT DU PASSAGER OU DU CONDUCTEUR.

- Limitations de vitesse recommandées :
 - 24 km/h sur les routes régulières, en ligne droite
 - 8 km/h dans les virages ou sur les routes irrégulières
- NE TRANSPORTEZ PAS de passagers ni d'animaux
- N'utilisez PAS une charge totale qui est supérieure aux limites de poids
- N'apportez PAS de modifications à la remorque
- NE gonflez PAS trop les pneus. Non-respect de la pression indiqué sur le flanc des pneus peut conduire à une explosion du pneu et à des blessures.
- Il est recommandé qu'un mécanicien qualifié pour les vélos effectue une vérification de sécurité du vélo avant d'attacher la remorque. Avant chaque utilisation, assurez-vous que la remorque ne gêne pas le freinage, le pédalage ou la direction du vélo. Il est recommandé d'utiliser un rétroviseur sur le vélo.
- Conformez-vous toujours aux réglementations locales lorsque la remorque est utilisée sur la voie publique. Ne roulez jamais à vélo la nuit sans un éclairage adéquat. Respectez les exigences légales locales en matière d'éclairage. Les réflecteurs rouges qui accompagnent la remorque doivent rester attachés et visibles à tout moment. Si vous devez vous arrêter pour quelque raison que ce soit, comme pour effectuer des réglages ou regonfler un pneu à plat, assurez-vous de ne pas rester sur la route.
- En raison du poids de la remorque, un vélo tirant une remorque est plus lourd et moins réactif. Évitez les pierres, les bords de trottoir, le freinage brusque et les écarts soudains. Utilisez d'abord la remorque chargée dans un endroit non encombré jusqu'à ce que vous maîtrisiez la manière dont votre vélo gère le remorquage d'une remorque. Évitez de franchir des obstacles sur une roue : cela peut faire se renverser la remorque.
- Faites appel à votre bon jugement lorsque vous décidez de si les conditions climatiques, de route ou de circulation sont sûres pour utiliser une remorque Burley. Les limites de température recommandées pour utiliser une remorque Burley se situent entre -7 °C et 38 °C.
- Le non-respect des instructions et des consignes de sécurité de ce manuel pourrait entraîner des blessures graves ou la mort du conducteur du vélo.
- Si vous attachez un accessoire à votre remorque, assurez-vous de lire et de suivre tous les avertissements et instructions inclus avec le kit d'accessoires.



ADVERTENCIA

EL INCUMPLIMIENTO DE LAS INSTRUCCIONES Y DIRECTRICES DE SEGURIDAD DE ESTE MANUAL PODRÍA DAR LUGAR A LESIONES GRAVES O A LA MUERTE DEL PASAJERO O DEL CICLISTA.

- Límites de velocidad recomendados:
 - 24 km/h sobre carreteras lisas y rectas.
 - 8 km/h al girar o sobre carreteras irregulares.
- NO lleve pasajeros ni mascotas.
- NO use con una carga total que exceda los límites de peso.
- NO haga modificaciones en el remolque.
- NO sobre-inflar los neumáticos. El incumplimiento en la presión de los neumáticos de acuerdo a la clasificación de la pared lateral puede provocar una explosión del neumático y posibles lesiones.
- Se recomienda que un mecánico de bicicletas especializado haga un control de seguridad de la bicicleta de remolque antes de colocar el remolque. Antes de cada paseo, asegúrese de que el remolque no interfiera con los frenos, los pedales o la dirección de la bicicleta. Se recomienda utilizar un espejo retrovisor en la bicicleta.
- Cumpla siempre la normativa local al usar el remolque en las calzadas públicas. Nunca monte en una bicicleta de noche sin la iluminación adecuada. Obedezca todos los requisitos legales locales en lo que se refiere a la iluminación. Los reflectores rojos provistos con el remolque deben estar colocados y ser visibles siempre. Si tiene que detenerse por cualquier razón para hacer ajustes o para arreglar un neumático desinflado, asegúrese de salir completamente de la carretera.
- Dado el peso del remolque, una bicicleta que lleva un remolque es más pesada y tiene menor respuesta. Evite las rocas, los bordillos de la acera, los frenados y los virajes bruscos. Practique con el remolque cargado en un área sin tráfico hasta que se familiarice con la manera en que su bicicleta lleva un remolque. Evite circular sobre obstáculos con una sola rueda, ya que esto podría hacer que el remolque se vuelque.
- Use el sentido común al decidir si las condiciones del clima, la carretera y el tráfico son seguras para usar una bicicleta Burley. Los límites de temperatura recomendados para el uso de un remolque Burley son de -7 a 38 °C.
- El incumplimiento de las directrices de seguridad y las instrucciones de este manual puede dar lugar a lesiones graves o a la muerte del ciclista.
- Si conecta un accesorio a su remolque, asegúrese de leer y seguir todas las advertencias e instrucciones que se incluyen con el kit de accesorios.

Maximum Capacities

100 lbs (45 kg)

note

If using additional Burley accessories for loading trailer, consult the appropriate manuals for loading instructions.



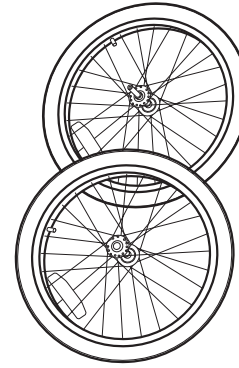
WARNING

ALWAYS COMPLY WITH LOCAL REGULATIONS FOR MAXIMUM TRAILER WEIGHT.

Box Contents



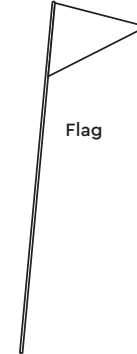
Trailer



2 Wheels



Tow Bar

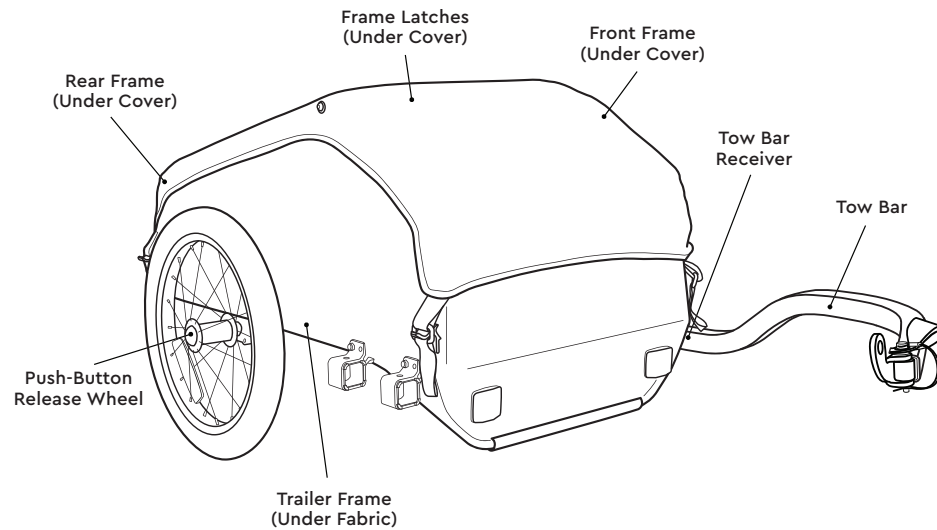


Flag

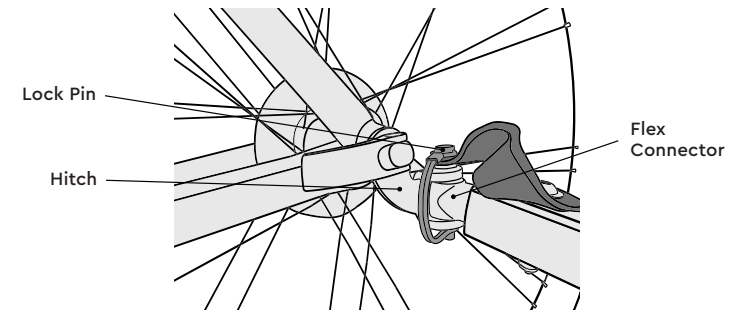


Cover

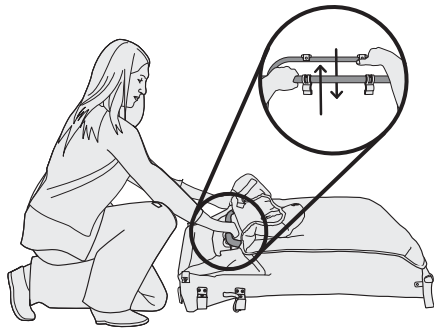
Burley Trailer Guide



Burley Hitch Guide

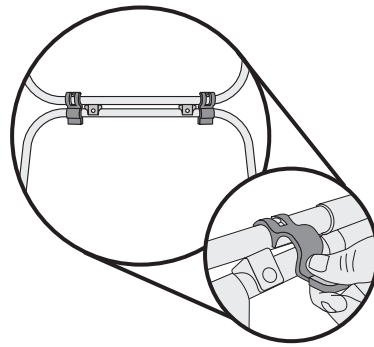


Unfolding Your Trailer



1

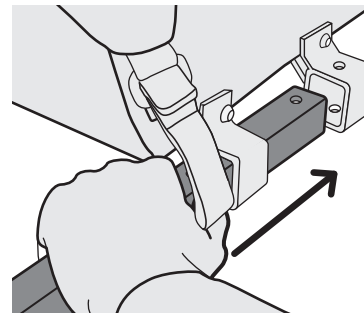
Raise front frame tube and rear frame tube until they sit together on the plastic saddles.



2

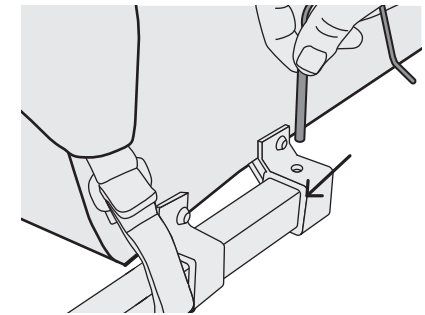
Lock bars together by pushing down on the latches.

Installing the Tow Bar



1

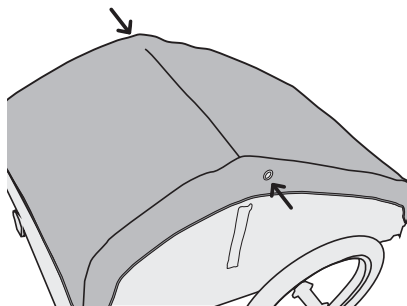
Slide tow bar into receiver on left side of trailer.



2

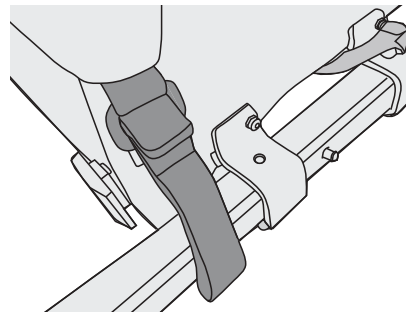
Insert lock pin through holes. Close retainer to secure lock pin.

Attaching the Cover



1

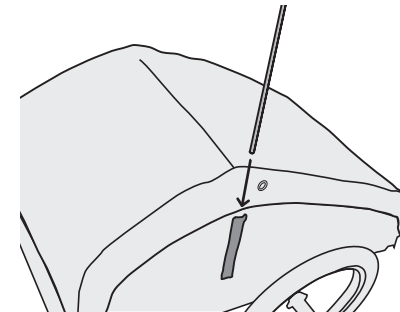
Attach cover to trailer using provided screws.



2

Slip the cover D-rings over the hooks at all four corners.

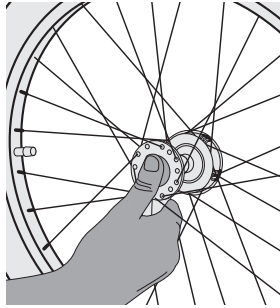
Installing the Flag



1

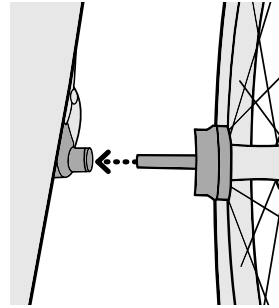
Join flagpole sections together and insert safety flag into pocket on side panel.

Attaching the Wheels



1

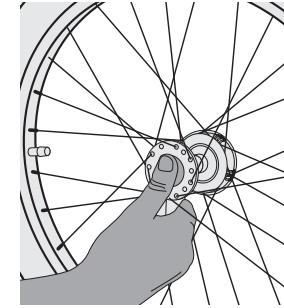
Push in the rubber button on the outside of the wheel hub.



2

Insert wheel axle into axle receiver, and then release the button. Pull firmly on wheel to confirm the axle is fully engaged.

Removing the Wheels



1

Push in the rubber button on the outside of the wheel hub. Pull wheel out of axle receiver.

Attaching the Trailer to Your Bicycle

1

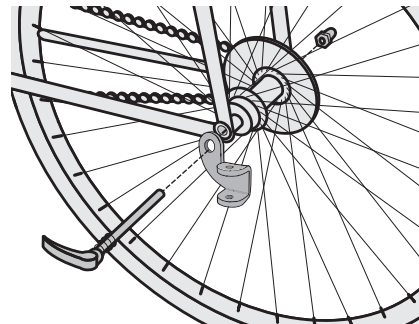
Quick Release or Nuted Axle:

Remove quick release skewer or axle nut from left side of bike's rear-wheel. Install the hitch between quick release or axle nut and frame with the hitch tabs parallel to ground. Tighten quick release or axle nut following bike manufacturer's recommendation.

Consult Burley.com for adapters designed to help fit your trailer to your bike if necessary.

Thru Axle:

Requires adapted thru axle to install hitch. Consult Burley.com to obtain proper fit and installation to your bike.



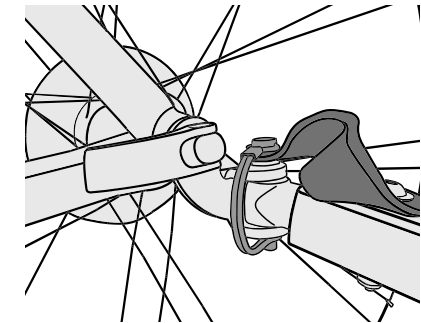
2

Hooking the tow bar to the hitch:

Insert flex connector in between the two holes on the hitch. Insert lock pin and close retainer.

note

The hitch can remain on the bike when trailer is removed.



Before You Ride

Contact your authorized Burley dealer or Burley.com for replacement of any damaged or worn parts.

Check before each use

- Wheels are properly secured to the trailer
- Tires are inflated to recommended pressure on the tire side wall
- Tow bar is properly secured to the trailer
- Hitch is properly secured to the bicycle
- Hitch and tow bar lock pin retainers are secured
- Load does not exceed 100 lbs (45 kg)
- Weight of tow bar at hitch is greater than 2 lbs (1 kg) but does not exceed 20 lbs (9 kg) with fully loaded trailer
- Bicycle is in proper working order, especially brakes and tires
- Cargo is securely loaded
- Inspect fabric parts for rips, abrasions, and missing or damaged hardware
- Contact your authorized Burley dealer for replacement of any damaged or worn parts.
- Maximum Capacities: 100 lb (45 kg)
- Always comply with local regulations for maximum trailer weight.

Check monthly

- Inspect tow bar, hitch, frame tubing, flex connector and hardware for damage
- Flex Connectors need to be serviced every 3–5 years for safe operation
- Check that bolts are tight
- Inspect tires and wheels for wear and cracks
- Inspect wheels for trueness and cracks

Maintenance

Storage

For longer product life, store trailer indoors. The trailer should not be stored at temperatures less than -10°F (-23°C) or greater than 150°F (65°C).

Fabric Care

Hand wash fabric parts with warm water and mild soap. DO NOT use bleach or solvents. Wipe dry and store out of direct sunlight in a dry, well-ventilated area.

Connect with Burley

Whether you ride your bike all year long or are a fair weather rider, Burley shares your enthusiasm for making the most of your bike. Thank you for your business. We appreciate it.

Product Identification

If you have any questions about the model name or year of your Burley, please consult our product identification web page: burley.com/support/what-year-is-my-burley

Burley Limited Warranty

This Burley trailer is warranted from the date of purchase against defects in materials and workmanship as follows: fabric parts for one year, frame and plastic parts for three years. Your original dated sales or delivery receipt showing the date of purchase is your proof of purchase. If a defect in materials or workmanship is discovered during the Limited Warranty period, we will, at our sole option, repair or replace your product at no cost to you. This warranty is only valid in the country in which the product was purchased. The Limited Warranty extends only to the original retail purchaser of this product and is not transferable to anyone who obtains ownership of the product from the original purchaser. The Limited Warranty does not cover claims resulting from misuse, failure to follow the instructions, installation, improper maintenance and use, abuse alteration, involvement in an accident, and normal wear and tear. The Limited Warranty does not cover products which are used in rental operations and Burley will not be liable for any incidental or commercial damages relating to such use.

TO THE GREATEST EXTENT PERMITTED BY LAW, THIS LIMITED WARRANTY IS EXCLUSIVE AND IN LIEU OF ANY OTHER WARRANTY, WRITTEN OR ORAL, INCLUDING BUT NOT LIMITED TO ANY EXPRESS OR IMPLIED WARRANTY OF MERCHANTABILITY OR FITNESS FOR A PARTICULAR PURPOSE. The duration of any implied warranties, including any implied warranty of merchantability or fitness for a particular purpose that may exist during the express warranty period is expressly limited to the limited warranty period. Some states and countries do not allow limitations on how long an implied limited warranty lasts; therefore, the above limitation and exclusions may not apply to you. THE CUSTOMER'S EXCLUSIVE REMEDY FOR BREACH OF THIS LIMITED WARRANTY OR OF ANY IMPLIED WARRANTY OR OF ANY OTHER OBLIGATION ARISING BY OPERATION OF LAW OR OTHERWISE SHALL BE LIMITED AS SPECIFIED HEREIN TO REPAIR OR REPLACEMENT, AT OUR SOLE OPTION. IN ANY EVENT, RESPONSIBILITY FOR SPECIAL, INCIDENTAL AND CONSEQUENTIAL DAMAGES IS EXPRESSLY EXCLUDED. Some states do not allow the exclusion of limitation of incidental or consequential damages, so the above limitation of exclusion may not apply to you. Our goods come with guarantees that cannot be excluded under the Australian Consumer Law. You are entitled to a replacement or refund for a major failure and for compensation for any other reasonably foreseeable loss or damage. You are also entitled to have the good repaired or replaced if the goods fail to be of acceptable quality and the failure does not amount to a major failure. This Limited Warranty gives you specific legal rights, and you may have other rights that vary from state to state or country. For warranty service or replacement part information for the USA or Canada, please contact Burley directly by calling 800-311-5294 or emailing burley@burley.com. For warranty service or replacement part information outside of the USA and Canada please contact the place of purchase for warranty service. Please be prepared to provide the product model, serial number and a description of the warranty issue. Some replacement parts may be available for purchase after this limited warranty expires. Please visit us at www.burley.com or call us at 541-687-1644 for more information.

Maximale Kapazitäten

45 kg

hinweis

Wenn Sie zusätzliches Burley-Zubehör zum Beladen des Anhängers verwenden, konsultieren Sie die entsprechenden Handbücher für Ladeanweisungen.

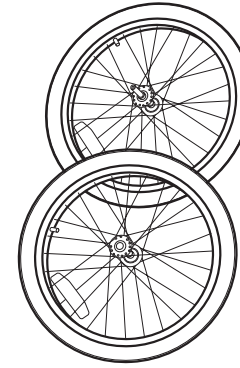


WARNHINWEIS
BEFOLGEN SIE STETS LOKALE
REGELUNGEN BEZÜGLICH DES
MAXIMALEN ANHÄNGERGEWICHTS.

Verpackungsinhalt



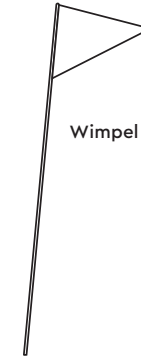
Anhänger



2 Räder



Zugstange

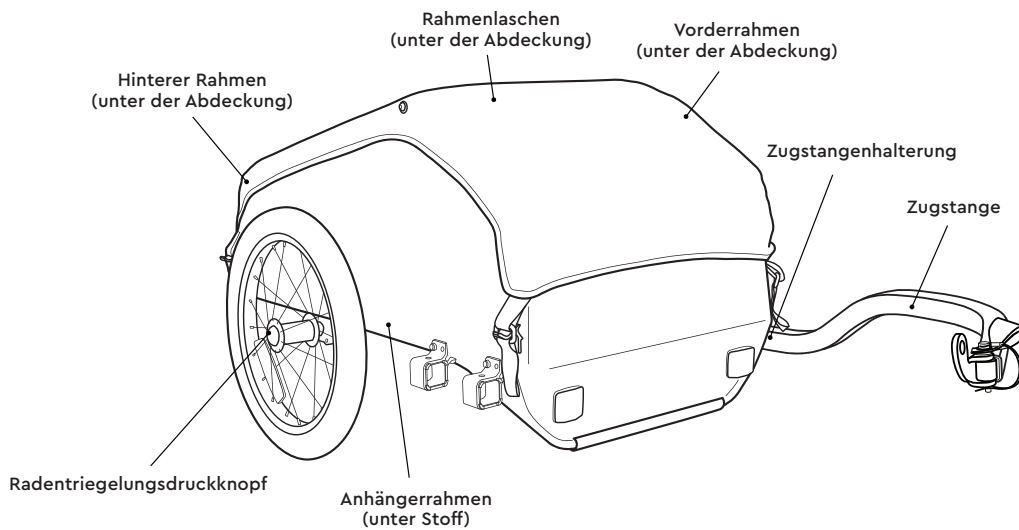


Wimpel

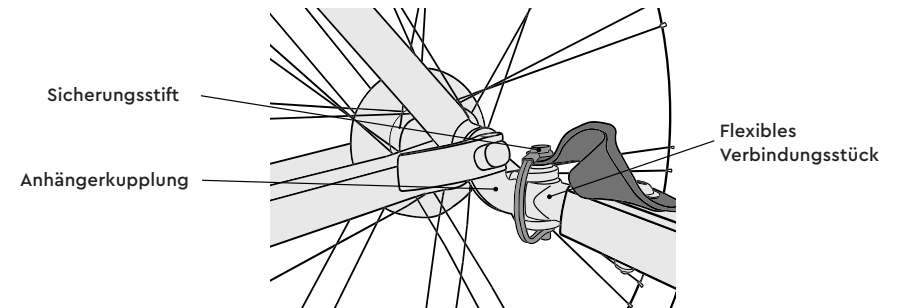


Abdeckung

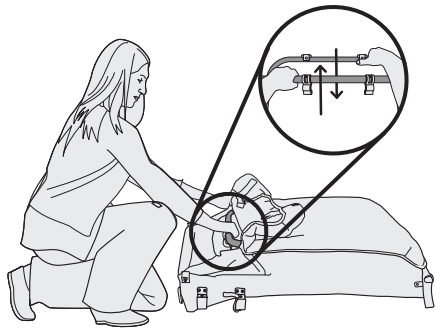
Gebrauchsanleitung Burley-Anhänger



Gebrauchsanleitung Burley-Anhängerkupplung

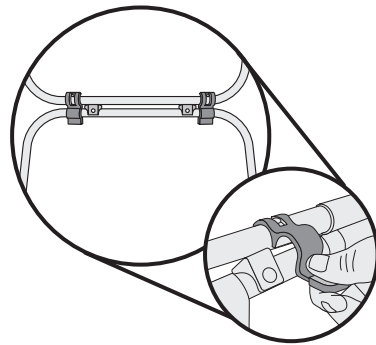


Aufklappen Ihres Anhängers



1

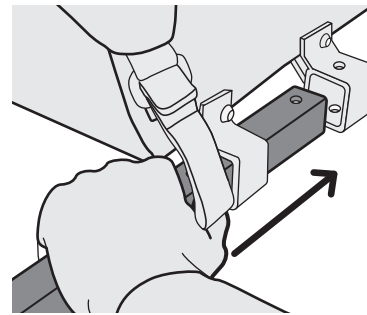
Das Vorderrahmen- und das hintere Rahmenrohr so weit anheben bis diese zusammen auf den Kunststoff-Auflagern liegen.



2

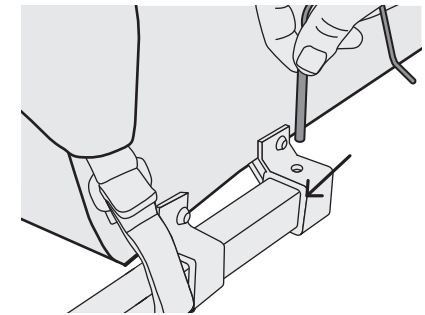
Durch Herunterdrücken der Laschen die Stifte miteinander verriegeln.

Montage der Zugstange



1

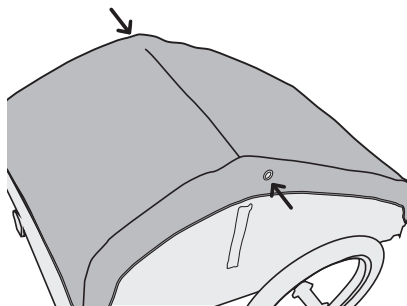
Die Zugstange in die Halterung schieben.



2

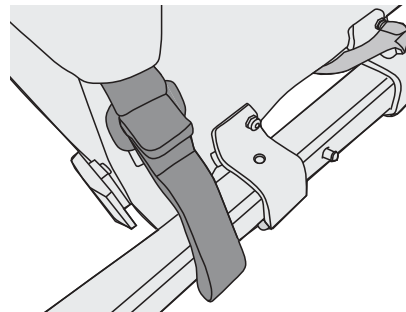
Den Sicherungstift durch die Löcher in die hintere Zugstangenhalterung stecken

Anbringen der Abdeckung



1

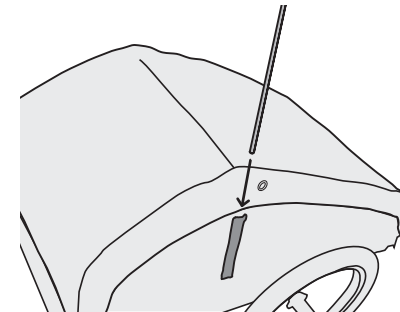
Die Abdeckung mithilfe der mitgelieferten Schrauben am Anhänger anbringen.



2

Die Ösen der Abdeckung über die Haken an allen vier Ecken schieben.

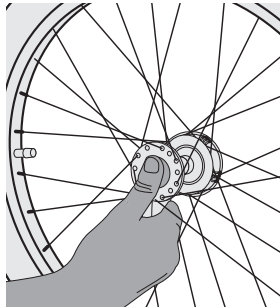
Installation der Wimpel



1

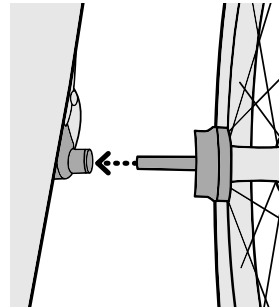
Die Abschnitte der Wimpelstange zusammenstecken und den Sicherheitswimpel in die Tasche an der Seitenwand stecken.

Befestigung der Räder



1

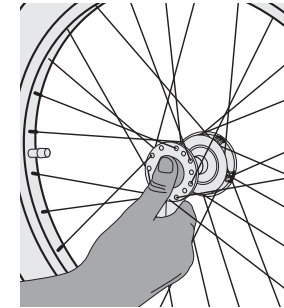
Den Gummiknopf an der Außenseite der Radnabe drücken.



2

Schieben Sie die Radachse in die Achsenhalterung und lassen Sie den Knopf anschließend los. Ziehen Sie fest an dem Rad, um sich zu vergewissern, dass die Achse vollständig eingerastet ist.

Abnehmen der Räder



1

Den Gummiknopf an der Außenseite der Radnabe drücken. Das Rad aus der Achsenhalterung herausziehen.

Anbringen des Anhängers an Ihrem Fahrrad

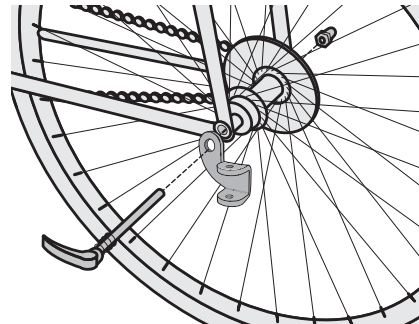
1

Schnellspanner oder Steckachse:

Entfernen Sie den Schnellverschluss oder die Mutter von der linken Seite der hinteren Radachse des Fahrrads. Montieren Sie die Anhängerkupplung zwischen dem Schnellverschluss oder der Mutter und dem Rahmen. Ziehen Sie den Schnellverschluss oder die Mutter gemäß den Empfehlungen des Herstellers fest. Wenden Sie sich an Burley.com, um Informationen zur korrekten Montage an Ihr Fahrrad zu erhalten.

Steckachse:

Erfordert eine angepasste Steckachse, um die Kupplung zu installieren. Wenden Sie sich an Burley.com, um die richtige Passform und Installation an Ihrem Fahrrad zu erhalten.



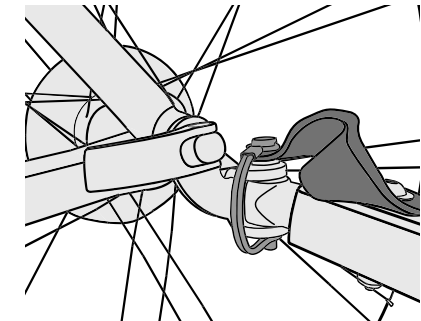
2

Ankoppeln der Zugstange an der Anhängerkupplung:

Stecken Sie das flexible Verbindungsstück zwischen die beiden Löcher der Anhängerkupplung.

hinweis

Die Anhängerkupplung kann am Fahrrad verbleiben, wenn der Anhänger entfernt wurde.



Vor der Fahrt

Wenden Sie sich für den Austausch beschädigter oder abgenutzter Teile an Ihren lokalen Fahrradladen oder autorisierten Burley-Händler.

Vor jedem Einsatz zu prüfen:

- Ob die Räder richtig am Anhänger befestigt sind.
- Ob die Reifen mit dem auf der Reifenseite empfohlenen Druck aufgepumpt sind.
- Ob die Zugstange richtig am Anhänger gesichert ist.
- Ob die Anhängerkupplung richtig am Fahrrad befestigt ist.
- Ob die Arretierung des Verriegelungsstifts für Anhängerkupplung und Zugstange gesichert ist.
- Ob die Ladung 45 kg nicht übersteigt.
- Ob das Gewicht der Zugstange an der Anhängerkupplung höher als 1 kg ist, mit vollbeladenem Anhänger jedoch nicht 9 kg übersteigt.
- Ob das Fahrrad in gutem Zustand ist, insbesondere die Bremsen und die Reifen.
- Ob die Ladung sicher befestigt ist.

Monatlich zu überprüfen:

- Untersuchen Sie die Zugstange, die Anhängerkupplung, die Rahmenrohre, das flexible Verbindungsstück und das Gestell auf Schäden.
- Flex-Anschlüsse müssen alle 3 bis 5 Jahre gewartet werden, um die Sicherheit zu gewährleisten.
- Prüfen Sie, ob die Bolzen festgezogen sind.
- Untersuchen Sie die Reifen und

Räder auf Abnutzung und Risse.

- Untersuchen Sie die Räder auf Richtigkeit und Risse.
- Untersuchen Sie die Stoffbauteile auf Risse, Abnutzung und fehlendes oder beschädigtes Material.
- Kontaktieren Sie Ihren autorisierten Burley-Händler für Ersatz bei beschädigten oder abgenutzten Bauteilen.
- Maximale Kapazitäten: 45 kg
- Befolgen Sie stets lokale Regelungen bezüglich des maximalen Anhängergewichts.

Wartung Ihres Burley

Um vorzeitigem Verschleiß der Bauteile vorzubeugen, sollten Sie Ihre Ausrüstung nach jedem Einsatz in korrodierenden oder abrasiven Umgebungen (wie z.B. Sand oder Salzwasser) reinigen.

Lagerung

Bewahren Sie den Anhänger für eine längere Produktlebensdauer in einem geschlossenen Raum auf. Der Anhänger sollte nicht bei Temperaturen unter -23 °C oder über 65 °C aufbewahrt werden.

Pflege des Stoffs

Waschen Sie Stoffteile mit warmem Wasser, dem eine milde Seife oder ein schonendes Waschmittel zugesetzt ist. Verwenden Sie KEINE Bleich- oder Lösungsmittel. Abtrocknen und vor direkter Sonneneinstrahlung geschützt an einem trockenen, gut belüfteten Ort aufbewahren.

Kontakt mit Burley

Ob Sie Ihr Fahrrad ganzjährig fahren oder eher ein Schönwetterfahrer sind, Burley teilt Ihren Enthusiasmus, das Beste aus Ihrem Fahrrad zu holen. Vielen Dank für Ihren Kauf. Wir wissen es zu schätzen.

Produktkennzeichnung

Wenn Sie Fragen bezüglich des Namens oder Jahres Ihres Burley-Modells haben, besuchen Sie bitte unsere Produktidentifikations-Webseite: burley.com.

Begrenzte Garantie von Burley

Der Burley-Anhänger ist wie folgt ab Kaufdatum von einer Garantie gegen Material- und Produktionsfehler abgedeckt: Stoffteile über ein Jahr, Rahmen- und Plastikteile über drei Jahre. Als Kaufbeleg gilt Ihre datierte Original-Kauf- oder Lieferquittung, auf der das Kaufdatum angegeben ist. Sollte ein Material- oder Produktionsfehler während der begrenzten Gewährleistung festgestellt werden, so werden wir nach eigenem Ermessen Ihr Produkt kostenfrei reparieren oder ersetzen. Diese Gewährleistung ist nur in dem Land gültig, in dem das Produkt erworben wurde. Die begrenzte Gewährleistung gilt nur für den ursprünglichen Käufer dieses Produkts und ist nicht auf eine Person übertragbar, die das Produkt vom ursprünglichen Käufer übernimmt. Die begrenzte Gewährleistung gilt nicht für Ansprüche, die aus einem Missbrauch, einer Nichtbefolgung der Anweisungen, der Montageanleitung, einer unsachgemäßen Wartung und Nutzung, einer Zweckentfremdung, der Verwicklung in einen Unfall oder aus einer normalen Abnutzung resultieren. Die begrenzte Gewährleistung gilt nicht für Produkte, die vermietet werden. Burley haftet nicht für jegliche unbeabsichtigte oder kommerzielle Schäden in Verbindung mit einer solchen Nutzung.

SOWEIT PER GESETZ ERLAUBT, IST DIESE BEGRENZTE GEWÄHRLEISTUNG EXKLUSIV UND ERSETZT JEDE ANDERE GEWÄHRLEISTUNG, OB SCHRIFTLICH ODER MÜNDLICH, EINSCHLIESSLICH, JEDOCH NICHT BEGRENZT AUF JEGLICHE AUSDRÜCKLICHE ODER STILLSCHWEIGENDE ZUSICHERUNG DER GEBRAUCHSTAUGLICHKEIT FÜR EINEN BESTIMMTEN ZWECK. Die Dauer jeglicher stillschweigender Gewährleistungen, einschließlich jeglicher stillschweigender Zusicherung der Gebrauchstauglichkeit für einen bestimmten Zweck, die während des Gültigkeitszeitraums der ausdrücklichen Gewährleistung bestehen, sind ausdrücklich auf den Gültigkeitszeitraum der begrenzten Gewährleistung begrenzt. Einige Staaten und Länder erlauben keine Begrenzung der Gültigkeit einer stillschweigenden, begrenzten Gewährleistung. Daher gelten die obigen Begrenzungen und Ausschlüsse möglicherweise nicht für Sie. DAS EXKLUSIVE RECHTSMITTEL DES KUNDEN BEI EINER VERLETZUNG DIESER BEGRENZTEN GEWÄHRLEISTUNG, EINER STILLSCHWEIGENDEN GEWÄHRLEISTUNG ODER EINER ANDEREN GESETZLICH ODER ANDERWEITIG HERVORGEHENDEN OBLIEGENHEIT IST WIE HIERIN SPEZIFIZIERT AUF EINE REPARATUR ODER EINEN ERSATZ NACH UNSEREM EIGENEM ERMESSEN BEGRENZT. IN JEDEM FALL IST EINE HAFTUNG FÜR SPEZIELLE, UNBEABSICHTIGTE UND FOLGESCHÄDEN AUSDRÜCKLICH AUSGESCHLOSSEN.

Einige Staaten erlauben nicht den Ausschluss der Begrenzung von unbeabsichtigten oder Folgeschäden. Daher gelten die obigen Ausschlüsse und Begrenzungen möglicherweise nicht für Sie. Diese begrenzte Gewährleistung gewährt Ihnen spezielle Rechte. Sie haben möglicherweise andere Rechte, die von Staat zu Staat oder Land variieren. Für Informationen zu Garantieleistungen oder Ersatzteilen für die USA oder Kanada, kontaktieren Sie Burley bitte direkt unter 800-311-5294 oder per E-Mail an burley@burley.com. Für Informationen zu Garantieleistungen oder Ersatzteilen außerhalb der USA und Kanada, kontaktieren Sie bitte den Händler, bei dem Sie das Produkt erworben haben. Bitte halten Sie das Produktmodell, die Seriennummer und eine Beschreibung des Garantiefalls bereit. Einige Ersatzteile stehen möglicherweise auch nach Ablauf dieser begrenzten Gewährleistung zum Kauf zur Verfügung. Bitte besuchen Sie uns unter www.burley.com oder rufen Sie uns an unter 541-687-1644 für weitere Informationen.

Capacités maximales

45 kg

remarque

Si vous utilisez des accessoires Burley supplémentaires pour charger la remorque, consultez les manuels appropriés pour les instructions de chargement.



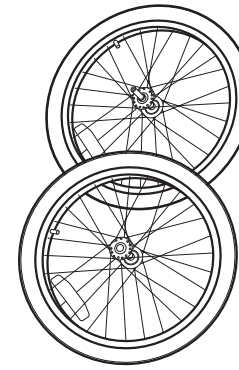
AVERTISSEMENT

CONCERNANT LE POIDS MAXIMAL DE LA REMORQUE, CONFORMEZ-VOUS TOUJOURS AUX RÉGLEMENTATIONS LOCALES.

Contenu de la boîte :



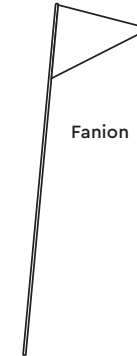
Remorque



2 Roues



Barre de remorquage

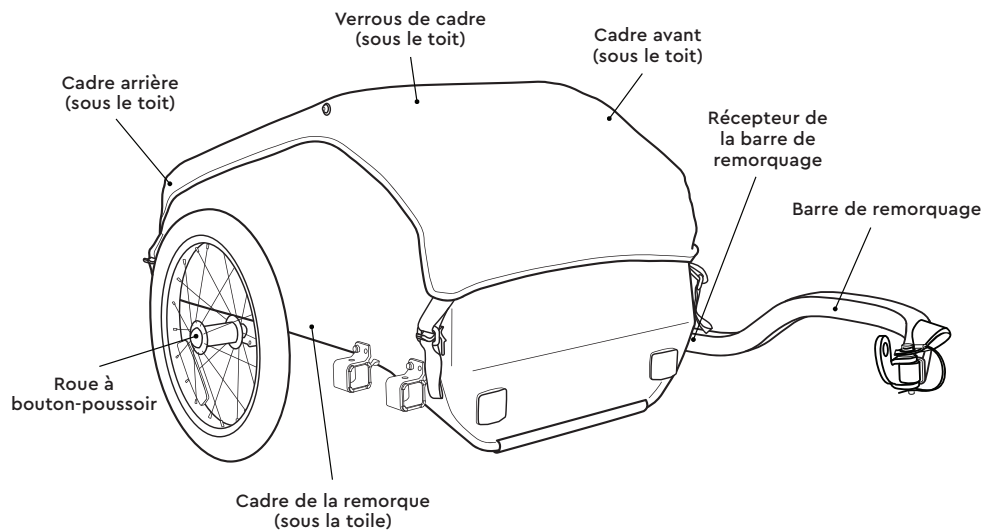


Fanion

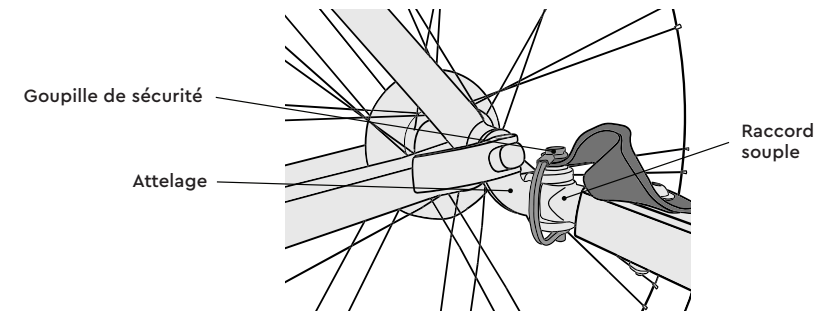


Couverture

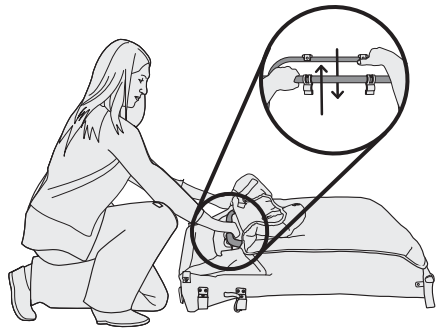
Guide de remorque Burley



Guide d'attelage Burley :

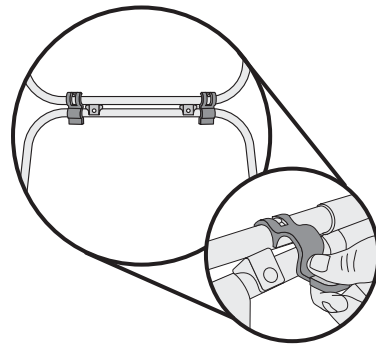


Dépliage de la remorque



1

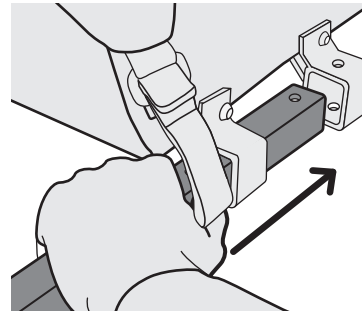
Soulevez les tubes avant et arrière du cadre jusqu'à ce qu'ils se positionnent correctement sur les supports en plastique.



2

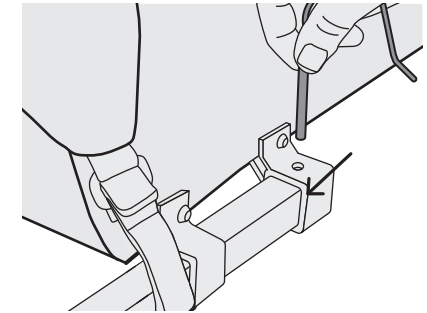
Joignez les barres et verrouillez-les en appuyant sur les verrous.

Installation de la barre de remorquag



1

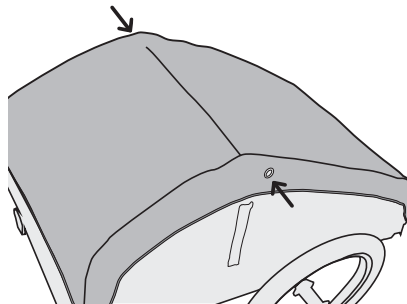
Faites glisser la barre de remorquage dans le récepteur.



2

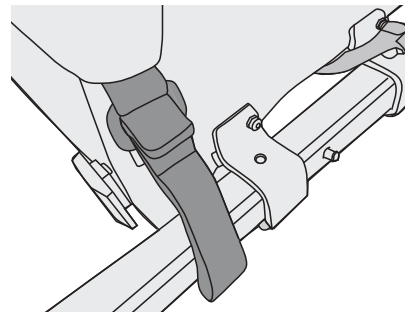
Insérez la goupille de sécurité dans les trous du récepteur de barre de remorquage arrière. Fermez le dispositif de retenue pour fixer la goupille de sécurité.

Fixation du toit



1

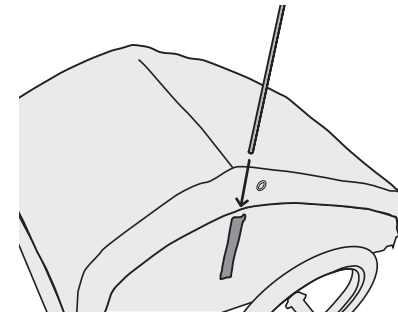
Fixez le toit sur la remorque à l'aide des vis fournies.



2

Insérez les anneaux d'arrimage dans les crochets situés aux quatre coins.

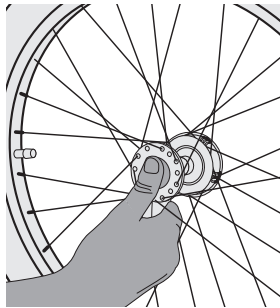
Installation du fanion



1

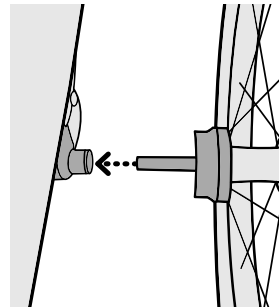
Assemblez le fanion et insérez le fanion de sécurité dans la pochette sur le panneau latéral.

Fixation des roues



1

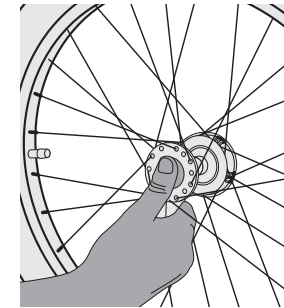
Appuyez sur le bouton en caoutchouc situé à l'extérieur du moyeu de roue.



2

Insérez l'axe de roue dans le récepteur d'axe, puis relâchez le bouton. Tirez fermement sur la roue pour confirmer que l'axe est entièrement engagé.

Retrait des roues



1

Appuyez sur le bouton en caoutchouc situé à l'extérieur du moyeu de roue. Retirez la roue du récepteur de l'essieu.

Accrochage de votre remorque

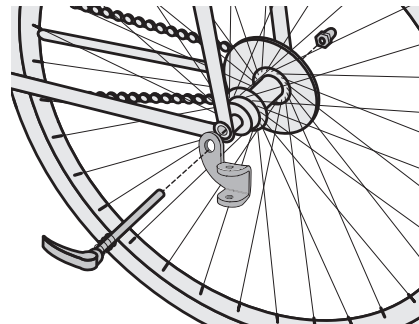
1

Essieu à dégagement rapide ou écrou :

Retirez le levier de blocage rapide ou l'écrou du côté gauche de l'axe de la roue arrière du vélo. Installez l'attelage entre le levier de blocage rapide ou l'écrou et le cadre (Figure 28). Serrez le levier de blocage rapide ou l'écrou en suivant les recommandations du fabricant. Vous trouverez des informations sur le réglage et l'installation propres à votre vélo sur Burley.com.

Axe traversant :

Nécessite un axe traversant adapté pour installer l'attelage. Consultez Burley.com pour obtenir un ajustement et une installation appropriés sur votre vélo.



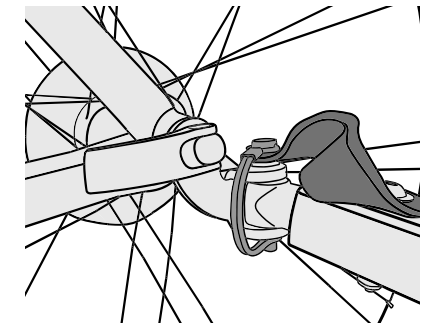
2

Accrochage de la barre de remorquage à l'attelage :

Insérez le raccord souple entre les deux trous sur l'attelage. Insérez la goupille de sécurité et fermez le dispositif de retenue.

remarque

L'attelage peut rester sur le vélo lorsque la remorque n'est pas accrochée.



Avant de Partir

Contactez votre vendeur de vélos ou votre revendeur Burley pour le remplacement des pièces endommagées ou usagées.

Avant chaque utilisation, vérifiez si :

- Les roues sont bien fixées à la remorque.
- Les pneus sont gonflés à la pression recommandée indiquée sur le flanc.
- La barre de remorquage est bien fixée à la remorque.
- L'attelage est bien fixé au vélo.
- Les dispositifs de retenue des goupilles de sécurité de l'attelage et de la barre de remorquage sont fixés.
- La charge n'excède pas 100 lb (45 kg).
- Le poids de la barre de remorquage est supérieur à 1 kg mais inférieur à 9 kg lorsque la remorque est complètement chargée.
- Le vélo est dans un bon état de marche, en particulier les freins et les pneus.
- Le chargement est solidement fixé.

Chaque mois, effectuez les vérifications suivantes :

- Inspectez la barre de remorquage, l'attelage, les tubes de cadre, le raccord souple et le matériel afin de détecter d'éventuels dommages.
- Les connecteurs flexibles doivent être vérifiés tous les 3-5 ans.
- Vérifiez si les boulons sont serrés.
- Inspectez les pneus et les roues afin de détecter une usure et des

fissures éventuelles.

- Inspectez les roues afin de détecter d'éventuelles fissures.
- Inspectez les parties en tissu afin de détecter les éventuels accrocs et abrasions, le matériel manquant ou endommagé.
- Pour le remplacement de toute pièce endommagée ou usée, contactez votre revendeur agréé Burley.
- Capacités maximales : 45 kg
- Concernant le poids maximal de la remorque, conformez-vous toujours aux réglementations locales.

Maintenance

Pour éviter l'usure prématurée de ses composants, nettoyez toujours votre équipement après exposition à des agents corrosifs ou abrasifs comme le sable ou l'eau salée.

Rangement

Pour prolonger la durée de vie du produit, rangez-le à l'intérieur. La remorque ne doit pas être rangée à des températures inférieures à -23°C (-10°F) ou supérieures à 65°C (150°F).

Entretien des parties en tissu

Lavez les parties en tissu à la main, à l'eau chaude avec un savon ou détergent doux. N'UTILISEZ PAS d'eau de javel ou de solvants. Laissez sécher et rangez la remorque à l'abri des rayons du soleil, dans une pièce sèche et bien ventilée.

Restez connecté avec Burley

Que vous enfourchiez votre vélo toute l'année ou uniquement par beau temps, Burley partage votre enthousiasme à profiter au maximum de votre vélo. Merci pour votre confiance. Nous l'apprécions.

Identification du Produit

En cas de questions sur le nom ou l'année du modèle de votre produit Burley, veuillez consulter notre page Web d'identification de produit : burley.com.

Garantie limitée Burley

Cette remorque Burley est garantie à compter de la date d'achat contre les défauts de matériaux et de fabrication comme suit : parties en tissu pendant un an, cadre et pièces en plastique pendant trois ans. Votre facture d'origine ou votre bon de livraison indiquant la date d'achat est votre preuve d'achat. Si un défaut de matériaux ou de fabrication est découvert pendant la période de Garantie limitée, nous réparerons ou remplacerons, à nos frais, votre produit sans que cela implique de coût pour vous. Cette garantie est uniquement valable dans le pays dans lequel le produit a été acheté. La Garantie limitée s'applique uniquement à l'acheteur d'origine de ce produit et n'est pas cessible à toute personne qui devient propriétaire du produit de l'acheteur d'origine. La Garantie limitée ne couvre pas les réclamations suite à une mauvaise utilisation, un non-respect des instructions, une installation, un entretien ou une utilisation inapproprié(e), une modification abusive, une implication dans un accident et une usure normale. La Garantie limitée ne couvre pas les produits qui sont utilisés dans le cadre d'une location et Burley ne sera pas tenu responsable de tout dommage accessoire ou commercial relatif à ladite utilisation.

DANS LA PLUS GRANDE MESURE AUTORISÉE PAR LA LOI, CETTE GARANTIE LIMITÉE EST EXCLUSIVE ET REMPLACE TOUTE AUTRE GARANTIE, ÉCRITE OU ORALE, DONT, NOTAMMENT, TOUTE GARANTIE EXPLICITE OU IMPLICITE DE QUALITÉ MARCHANDE OU DE CARACTÈRE APPROPRIÉ POUR UNE FIN PARTICULIÈRE. La durée de toute garantie implicite, y compris toute garantie implicite de qualité marchande ou de caractère approprié pour une fin particulière qui peut exister pendant la période de garantie explicite, est expressément limitée à la période de garantie. Certains États et pays n'autorisent pas les limites de durée d'une garantie limitée implicite ; par conséquent, la limitation et les exclusions ci-dessus peuvent ne pas s'appliquer à vous. LE RECOURS EXCLUSIF DU CLIENT EN CAS DE VIOLATION DE CETTE GARANTIE LIMITÉE OU DE TOUTE GARANTIE IMPLICITE OU DE TOUTE OBLIGATION PAR APPLICATION DE LA LOI OU AUTREMENT EST LIMITÉ, COMME STIPULÉ DANS LA PRÉSENTE, À LA RÉPARATION OU AU REMPLACEMENT, À NOTRE SEULE DISCRÉTION. DANS TOUS LES CAS, LA RESPONSABILITÉ QUANT AUX DOMMAGES SPÉCIAUX, ACCESSOIRES ET INDIRECTS EST EXPRESSÉMENT EXCLUE. Certains États interdisent l'exclusion de la limite des dommages accessoires ou indirects, la limite d'exclusion ci-dessus peut donc ne pas s'appliquer à vous. Cette Garantie limitée vous procure des droits légaux spéciaux et vous pouvez avoir d'autres droits qui varient d'un État à un autre ou d'un pays à un autre. Pour plus d'informations sur le service de garantie ou les pièces de rechange pour les États-Unis ou le Canada, veuillez contacter Burley directement en appelant le 800-311-5294 ou en envoyant un e-mail à burley@burley.com. Pour plus d'informations sur le service de garantie ou les pièces de rechange en dehors des États-Unis et du Canada, veuillez contacter le lieu d'achat pour le service de garantie. Soyez prêt à indiquer le modèle de produit, le numéro de série et une description du problème sous garantie. Certaines pièces de rechange peuvent être disponibles à l'achat après l'expiration de cette garantie limitée. Rendez-vous sur notre site à l'adresse www.burley.com ou appelez-nous au 541-687-1644 pour plus d'informations.

Capacidades máximas

45 kg

nota

Si usa accesorios Burley adicionales para cargar el remolque, consulte los manuales apropiados para obtener instrucciones de carga.

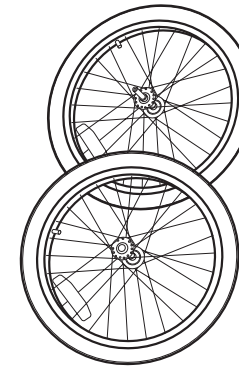
ADVERTENCIA

CUMPLA SIEMPRE LAS NORMAS LOCALES DE PESO MÁXIMO DEL REMOLQUE.

Contenidos de la caja



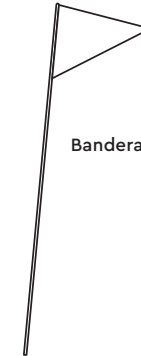
Remolque



2 Ruedas



Barra de Remolque

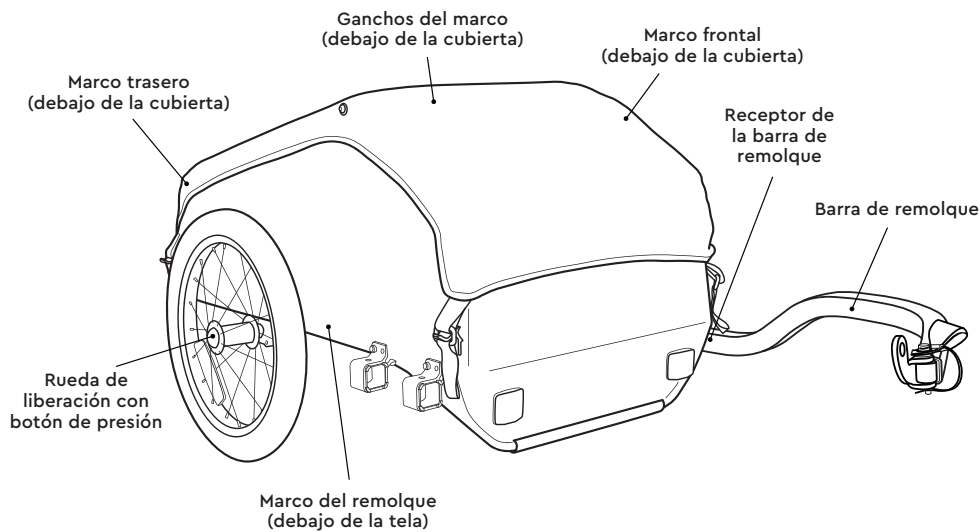


Bandera

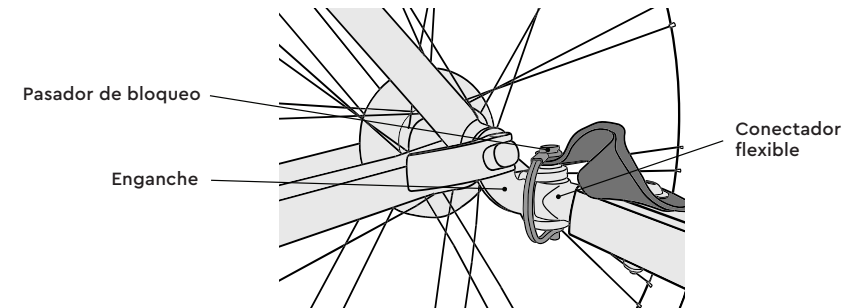


Cubierta

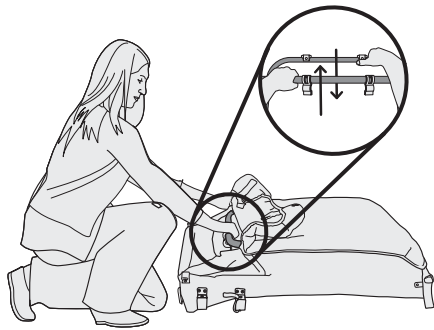
Guía del remolque Burley



Guía del enganche Burley

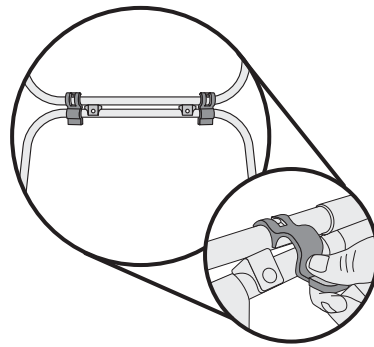


Despliegue del remolque



1

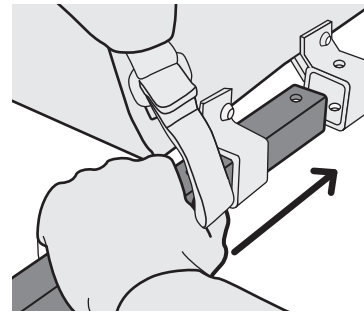
Eleve el tubo del marco frontal y el tubo del marco trasero hasta que queden juntos en los sillines de plástico.



2

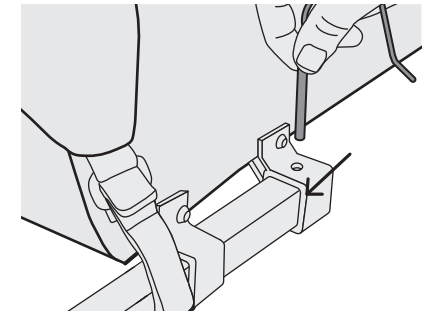
Bloquee las barras juntas apretando sobre los ganchos.

Instalación de la barra de remolque



1

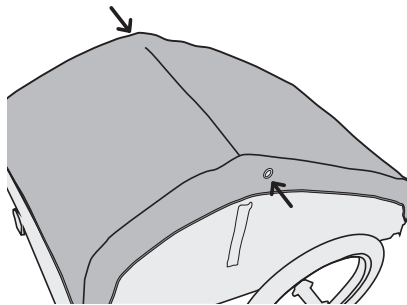
Deslice la barra de remolque en el receptor.



2

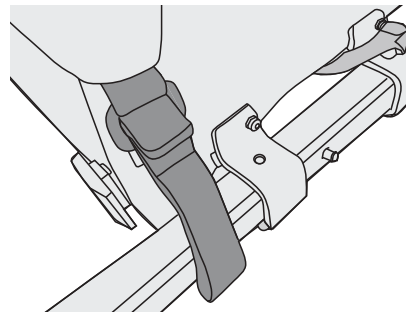
Inserte el pasador de bloqueo a través de los orificios del receptor trasero de la barra de remolque. Cierre el retén para asegurar el pasador de bloqueo.

Colocación de la cubierta



1

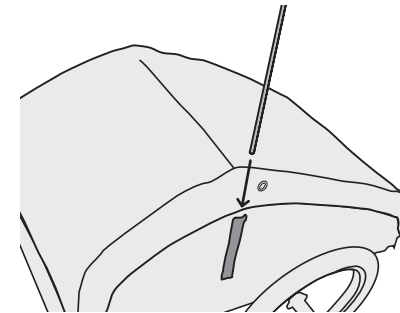
Coloque la cubierta en el remolque mediante los tornillos suministrados.



2

Deslice los anillos en forma de D de la cubierta por encima de los ganchos en las cuatro esquinas.

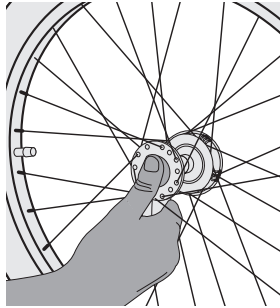
Instalación de la bandera



1

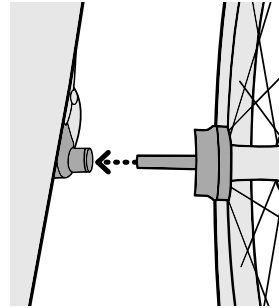
Una las secciones del mástil e inserte la bandera de seguridad en el bolsillo del panel lateral.

Colocación de las ruedas



1

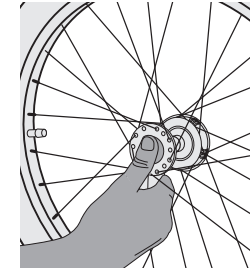
Presione el botón de goma del exterior del cojinete de la rueda.



2

Inserte el eje de la rueda en el receptor del eje y luego suelte el botón. Tire fuertemente de la rueda para asegurarse de que el eje esté sujeto completamente.

Procedimiento para retirar las ruedas



1

Presione el botón de goma del exterior del cojinete de la rueda. Saque la rueda del receptor del eje.

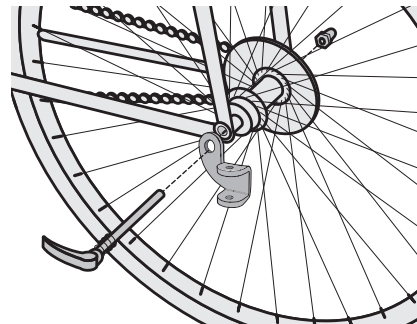
Fijación del remolque a la bicicleta

1

Eje de liberación rápida o con tuercas:
Quite la liberación rápida o la tuerca del lado izquierdo del eje de la rueda trasera de la bicicleta. Instale el enganche entre la liberación rápida o la tuerca y el marco (Figura 28). Apriete la liberación rápida o la tuerca de acuerdo con la recomendación del fabricante. Consulte Burley.com para conocer cómo montarlo e instalarlo correctamente en la bicicleta.

Eje pasante:

Requiere eje pasante adaptado para instalar el enganche. Consulte Burley.com para obtener el ajuste y la instalación adecuados para su bicicleta.

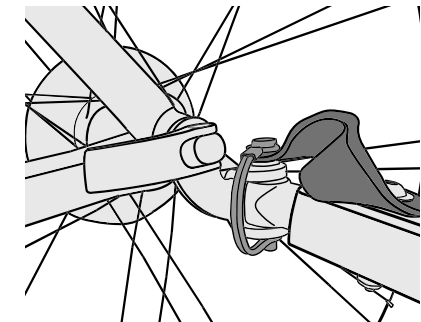


2

Colocación de la barra de remolque en el enganche:
Inserte el conector flexible entre los dos orificios del enganche. Inserte el pasador de bloqueo y cierre el retén.

nota

El enganche puede permanecer en la bicicleta cuando se quita el remolque.



Antes de usar

Póngase en contacto con su distribuidor Burley autorizado para reemplazar cualquier pieza desgastada o dañada.

Antes de cada uso, compruebe que:

- Las ruedas están adecuadamente fijadas al remolque.
- Los neumáticos están inflados a la presión recomendada en el lateral del neumático.
- La barra de remolque está adecuadamente asegurada al remolque.
- El enganche está adecuadamente fijado a la bicicleta.
- El enganche y los retenes del pasador de bloqueo de la barra de remolque están fijados.
- La carga no supera los 45 kg.
- El peso de la barra de remolque situada en el enganche es superior a 1 kg pero no excede los 9 kg cuando el remolque está completamente cargado.
- La bicicleta funciona correctamente, especialmente los frenos y neumáticos.
- La carga está cargada de forma segura.

Cada mes:

- Inspeccione la barra de remolque, el enganche, los tubos del marco, el conector flexible y otras piezas por si hubiera daños.
- Los conectores flexibles deben revisarse cada 3-5 años para asegurarse de que funcionan con seguridad
- Revise que los tornillos están bien ajustados.
- Inspeccione los neumáticos y las ruedas por si hubiera desgaste o fisuras.
- Inspeccione las ruedas para comprobar su autenticidad y que no haya fisuras.
- Inspeccione las partes de tela para detectar rasgaduras, abrasiones y piezas dañadas o perdidas.
- Póngase en contacto con su distribuidor Burley autorizado para reemplazar cualquier pieza desgastada o dañada.
- Capacidades máximas: 45 kg
- Cumpla siempre las normas locales de peso máximo del remolque.

Contacto con Burley

Tanto si su hijo usa su bicicleta todo el año como si lo hace solo cuando el tiempo es bueno, Burley comparte su entusiasmo por aprovechar su bicicleta al máximo. Gracias por elegirnos. Se lo agradecemos.

Identificación del Producto

Si tiene alguna pregunta acerca del nombre o año del modelo de su Burley, consulte nuestra página web de identificación de producto: burley.com

Mantenimiento

Almacenamiento

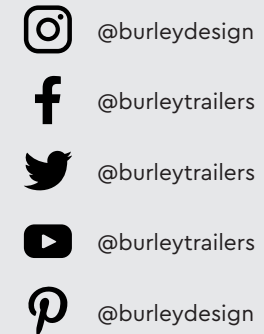
Para una mayor duración del producto, guarde el remolque en un lugar cerrado. Si deja el remolque al aire libre, protéjalo con una cubierta de almacenamiento. El remolque no debe almacenarse a temperaturas inferiores a -23 °C ni superiores a 65 °C.

Cuidado de la tela

Lave a mano las partes de tela con agua tibia y detergente o jabón suave. NO use lejía ni disolventes. Seque la cubierta del remolque al aire libre. Seque y almacene fuera de la luz solar directa en un lugar seco y bien ventilado.

Garantía limitada de Burley

Este accesorio Burley tiene garantía desde la fecha de la compra contra defectos en los materiales y en la mano de obra, según se especifica a continuación: marco y piezas de plástico por dos años, tela por un año. Como prueba de compra es necesario disponer de un recibo de compra o venta que muestre la fecha de adquisición. Si encuentra algún defecto en los materiales o la mano de obra durante el periodo de la garantía limitada, nosotros, únicamente a discreción nuestra, repararemos o reemplazaremos su producto sin coste para usted. Esta garantía es válida únicamente en el país en el que fue comprado el producto. La garantía limitada se extiende solamente al comprador inicial de este producto y no es transferible a nadie que obtenga la propiedad del producto del comprador inicial. La garantía limitada no cubre reclamaciones derivadas del uso incorrecto, incumplimiento de las instrucciones, instalación, uso y mantenimiento inadecuados, abuso, alteración, participación en un accidente y desgaste normal. La garantía limitada no cubre productos usados para alquiler y Burley no se responsabilizará de ningún daño fortuito o comercial relacionado con dicho uso. EN LA MEDIDA QUE ASÍ LO PERMITA LA LEY, ESTA GARANTÍA LIMITADA ES EXCLUSIVA Y REEMPLAZA A CUALQUIER OTRA GARANTÍA, ESCRITA U ORAL, INCLUIDA, SIN LIMITACIÓN ALGUNA, CUALQUIER GARANTÍA EXPRESA O IMPLÍCITA SOBRE LA COMERCIABILIDAD O APTITUD PARA UN FIN PARTICULAR. La duración de cualquier garantía implícita, incluyendo cualquier garantía implícita sobre la capacidad de comercialización o aptitud para un fin en particular que pueda existir durante el periodo de la garantía expresa, está expresamente limitada al periodo de garantía limitada. Algunos estados y países no permiten limitaciones sobre la duración de una garantía limitada implícita; por lo tanto, es posible que la limitación y las exclusiones no sean aplicables a su caso. EL RECURSO EXCLUSIVO DEL CLIENTE POR EL INCUMPLIMIENTO DE ESTA GARANTÍA O DE CUALQUIER GARANTÍA IMPLÍCITA O DE CUALQUIER OTRA OBLIGACIÓN QUE SURJA CONFORME A LA LEY ESTARÁ LIMITADO SEGÚN LO ESPECIFICADO ANTERIORMENTE PARA REPARAR O REEMPLAZAR, ÚNICAMENTE A DISCRECIÓN NUESTRA. EN TODOS LOS CASOS, LA RESPONSABILIDAD POR DAÑOS ESPECIALES, FORTUITOS E INDIRECTOS ESTÁ EXPRESAMENTE EXCLUIDA. Algunos estados no permiten la exclusión de la limitación de daños fortuitos o indirectos, por lo tanto, es posible que la limitación mencionada no sea aplicable a su caso. Esta garantía limitada le otorga derechos legales específicos y usted puede tener otros derechos que varían de un estado a otro o de un país a otro. Para obtener información sobre el servicio de garantía o las piezas de recambio en los EE.UU. o el Canadá, póngase en contacto con Burley directamente llamando al 800-311-5294 o enviando un correo electrónico a burley@burley.com. Para obtener información sobre el servicio de garantía o las piezas de recambio fuera de los EE.UU. y el Canadá, póngase en contacto con el establecimiento de compra sobre el servicio de garantía. Está preparado para proporcionar el modelo del producto, el número de serie y una descripción del problema de la garantía. Algunas piezas de recambio pueden comprarse una vez finalizada esta garantía limitada. Visítenos en www.burley.com o llámenos al 541-687-1644 para obtener más información.



Burley

1500 Westec Drive | Eugene, OR 97402
P. 541.687.1644 or 800.423.8445
F. 541.687.0436
burley@burley.com | Burley.com

©2022 Burley Design LLC
"Burley" is a registered trademark
of Burley Design LLC

MAN-00039_00