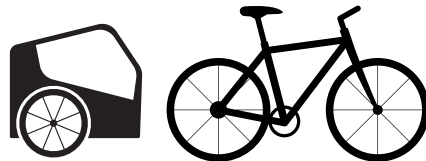


# Burley®

OWNER'S INSTRUCTION & SAFETY MANUAL



## PET TRAILER MANUAL

BARK RANGER™ & BARK RANGER™ XL



**IMPORTANT: READ CAREFULLY AND  
KEEP FOR FUTURE REFERENCE**

**IMPORTANT: A LIRE ATTENTIVEMENT  
ET À CONSERVER POUR RÉFÉRENCE  
ULTÉRIEURE**

**WICHTIG: BITTE SORGFÄLTIG LESEN  
UND FÜR SPÄTERES NACHLESEN  
UNBEDINGT AUFBEWAHREN**

**IMPORTANTE: LEER DETENIDAMENTE  
Y MANTENERLAS PARA FUTURAS  
CONSULTAS**

ENG

WARNING	3
Maximum Capacities	4
Box Contents	4
Burley Trailer Guide	4
Assembling your Trailer	5
Closing the Trailer	6
Attaching the Wheels	7
Parking Brake Operation	7
Installing the Wheel Guards	8
Installing the Tow Bar	8
Removing the Tow Bar	8
Converting to Stroller or Trailer Mode	9
Handlebar and Flag Installation	10
Hooking up Your Trailer	11
Securing the Cover	12
Floorboard Removal/Cleaning	13
Brake Adjustment	13
Front Window Removal	14
Before You Ride	15
Maintaining Your Burley	15
Burley Limited Warranty	15
About Burley	55

### Important

Before using your trailer, please familiarize yourself with this Burley manual. For questions and additional information, please contact your authorized Burley dealer or visit [www.burley.com](http://www.burley.com).

DEU

WARNUNG	16
Maximale Kapazitäten	17
Packungsinhalt	17
Anleitung für Burley Anhänger	17
Zusammenbau des Anhängers	18
Schließen des Anhängers	19
Anbringen der Räder	20
Betätigen des Feststellbremshebels	20
Anbringen des Radschutzes	21
Anbringen der Deichsel	21
Abnehmen der Deichsel	21
Umbau zum Buggy	22
Anbringen/Einstellen des Lenkers	23
Ankuppeln des Anhängers	24
Sichern der Abdeckung	25
Ausbauen/Reinigen der Bodenplatte	26
Einstellen der Bremse	26
Ausbau des vorderen Fensters	27
Vor dem Fahren	28
Wartung Ihres Burley	28
Eingeschränkte Garantie von Burley	28
About Burley	55

### Wichtig

Bevor Sie Ihren Anhänger benutzen, machen Sie sich bitte mit dieser Gebrauchsanleitung von Burley vertraut. Bei Fragen oder für zusätzliche Informationen, kontaktieren Sie bitte Ihren autorisierten Burley-Händler oder besuchen Sie uns unter [www.burley.com](http://www.burley.com).

FRA

AVERTISSEMENT	29
Capacités maximales	30
Contenu de la boîte	30
Guide des remorques Burley	30
Assemblage de votre remorque	31
Fermeture de la remorque	32
Arrimage des roues	33
Fonctionnement du frein de stationnement	33
Installation des garde-roues	34
Installation de la barre de remorquage	34
Désinstallation de la barre de remorquage	34
Conversion en mode poussette	35
Installation / réglage du guidon	36
Accrochage de la remorque	37
Fixation de la capote	38
Retrait / nettoyage du fond	39
Réglage du frein	39
Retrait de la fenêtre avant	40
Avant d'utiliser votre produit	41
Entretien de votre produit Burley	41
Garantie limitée Burley	41
About Burley	55

### Important

Avant d'utiliser votre remorque, veuillez lire ce manuel Burley. Pour plus d'informations et si vous avez des questions, veuillez contacter votre revendeur agréé Burley ou visiter le site internet [www.burley.com](http://www.burley.com).

ESP

ADVERTENCIA	42
Capacidades máximas	43
Contenido de la caja	43
Guía del remolque Burley	43
Montaje del remolque	44
Cierre del remolque	45
Colocación de las ruedas	46
Accionamiento del freno de estacionamiento	46
Montaje de los protectores de rueda	47
Montaje de la barra de remolque	47
Desmontaje de la barra de remolque	47
Conversión al modo de silla de paseo	48
Montaje/ajuste del asidero	49
Enganche del remolque	50
Asegurar la capota	51
Desmontaje/limpieza del tablero del suelo	52
Ajuste del freno	52
Desmontaje de la ventana delantera	53
Antes de circular con la bicicleta	54
Mantenimiento de su producto Burley	54
Garantía limitada de Burley	54
About Burley	55

### Importante

Antes de usar su remolque, lea atentamente este manual de Burley. Si tiene cualquier pregunta o necesita información adicional, póngase en contacto con su distribuidor autorizado Burley o visite [www.burley.com](http://www.burley.com).



## WARNING

Failure to comply with the instructions and warnings in this manual could result in serious injury or death of the passenger or rider.

- Never leave the pet unattended.
- DO NOT leash or attach your pet to any part of the trailer.
- Ensure that all locking devices are engaged before use.
- To avoid injury ensure that the pet is kept away when unfolding and folding this product.
- NOT intended for use by children. This product is not a toy.
- Make sure pet cannot make contact with the wheel spokes or any other moving parts.
- Be cognizant of exposure hazards to less-active trailer occupants such as windchill and heat exhaustion, either by prolonged exposure in colder temperatures, or by extended periods in warmer temperatures without adequate ventilation or hydration.
- Items placed on top of the unit may cause this product to become unstable. Hazardous conditions may exist if unapproved accessory items are added to this product. Follow Burley cargo guidelines when adding Burley approved accessories.
- Any load attached to the handle or on the sides of the vehicle will affect the stability of the vehicle.
- This product is not suitable for running or skating.
- DO NOT tow trailer with motorized or electric vehicle (approved electric bicycles are okay).
- DO NOT use with a total load that exceeds the weight limits. If recommended load is exceeded, the unit may become unstable.
- DO NOT make modifications to the product.
- DO NOT over-inflate the tires. Failure to comply with the rated tire sidewall pressure may lead to explosion of the tire and possible injury.
- When strolling, use only on paths that are meant for walking. Do not use trailer on steep slopes, which can make the product unstable. You should be able to maintain traction and control at all times.
- DO NOT maneuver over stairs or other obstacles while the pet is inside.
- Only use Burley approved accessories. When attaching an accessory to your trailer make sure to read and follow all warnings and instructions that are included with the accessory kit.

**Note:** references to the left or right refer to standing behind the trailer looking forward.

### When used as a bicycle trailer:

- It is recommended that a qualified bicycle mechanic perform a safety check of the towing bicycle before attaching the trailer.
- Before each ride, be sure the trailer does not interfere with braking, pedaling or steering of the bicycle.
- Always comply with local regulations when using the trailer on public roadways.
- Never ride a bicycle at night without adequate lighting.
- Obey all local legal requirements for lighting.
- The red reflectors that came with the trailer must remain attached and visible on the rear of the trailer at all times.
- If you need to come to a stop for any reason, such as to check on your pet, to make adjustments, or to address a flat tire, be sure to pull off of the road completely.
- When using your trailer, you are towing extra weight and a bigger vehicle. You must allow more time for braking, slowing, stopping and starting, especially when riding downhill, and allow more room for turns, corners, and passageways.
- Experiment with the loaded trailer in an uncongested area until you become familiar with how your bike handles towing a trailer.
- Avoid rocks, curbs, hard braking, and sudden swerving. Avoid riding over obstacles with one wheel, as this may cause the trailer to tip over.
- Use good judgment when deciding if weather, road, or traffic conditions are safe to use a Burley trailer. Recommended temperature limits for using a Burley trailer are 20°F to 100°F (-7°C to 38°C).
- Always ride with the mesh windows securely zipped close to protect pet from flying debris.
- The rider of the bicycle must be at least 16 years old.
- Bicycle trailers pulled by an Electric Powered Assist Cycle (EPAC) can be restricted by law.
- Recommended speed limits:
  - 15 mph (24 km/h) on smooth, straight roads
  - 5 mph (8 km/h) when turning or on uneven roads
- Trailer weight must be properly distributed for safe handling. The downward force at the end of the tow bar, where it meets the bike, should be between 2 lbs and 20 lbs (1 and 9 kg). To measure this, load your trailer and place next to bathroom scale. Step on scale and note your weight. While on scale, lift up the end of the towbar 1 foot (30 cm) off the ground and note weight again. The weight difference is the downwards force on the tow bar. If the weight is too low, the rear wheel of the bicycle could lose traction. If it is too high the hitch may be overloaded.



## WARNING

Only use with a Burley approved accessory. If attaching an accessory to your trailer make sure to read and follow all warnings and instructions that are included with the accessory kit.

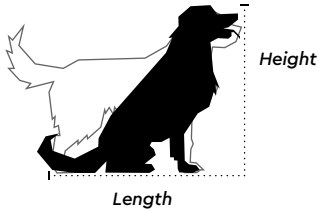


## WARNING

Your pet moving around in the trailer will shift the weight load on the tow bar of the trailer and transfer directly to the bicycle. You should expect this and be prepared for some increased push or pull on your bicycle as this happens.

## Maximum Capacities

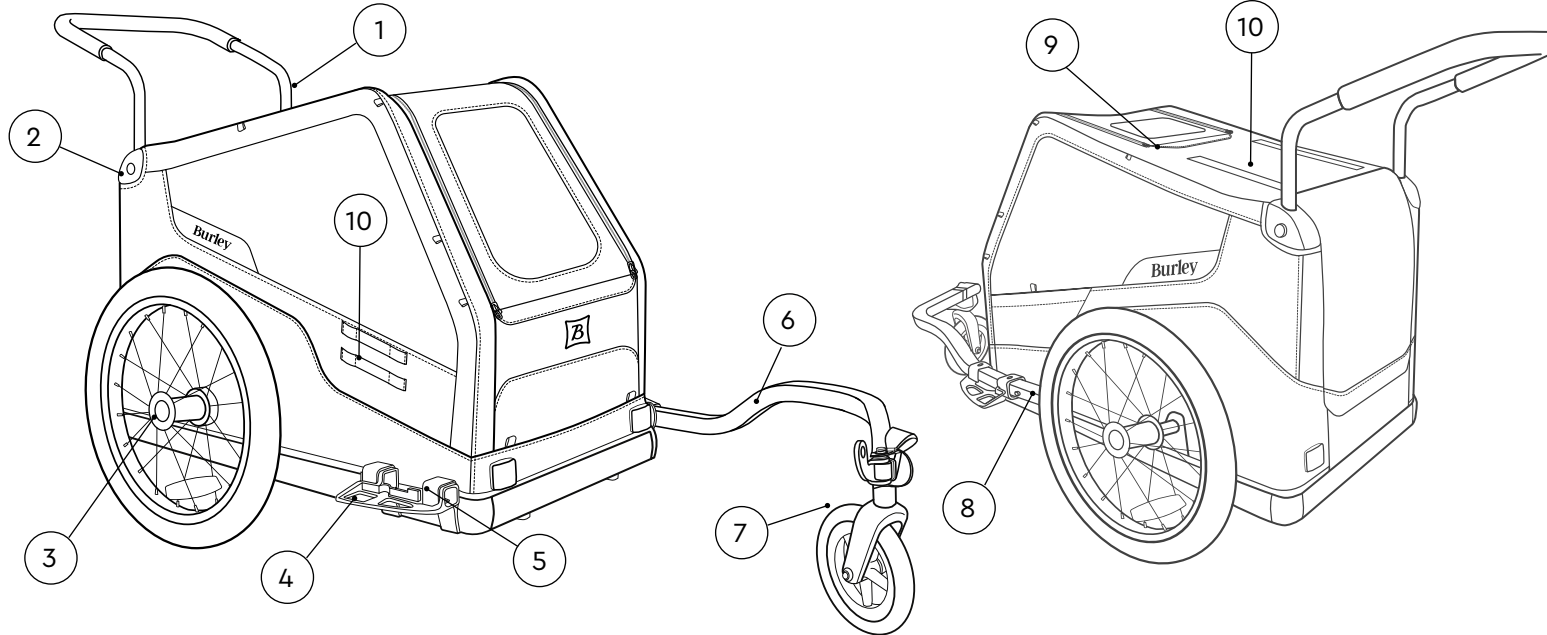
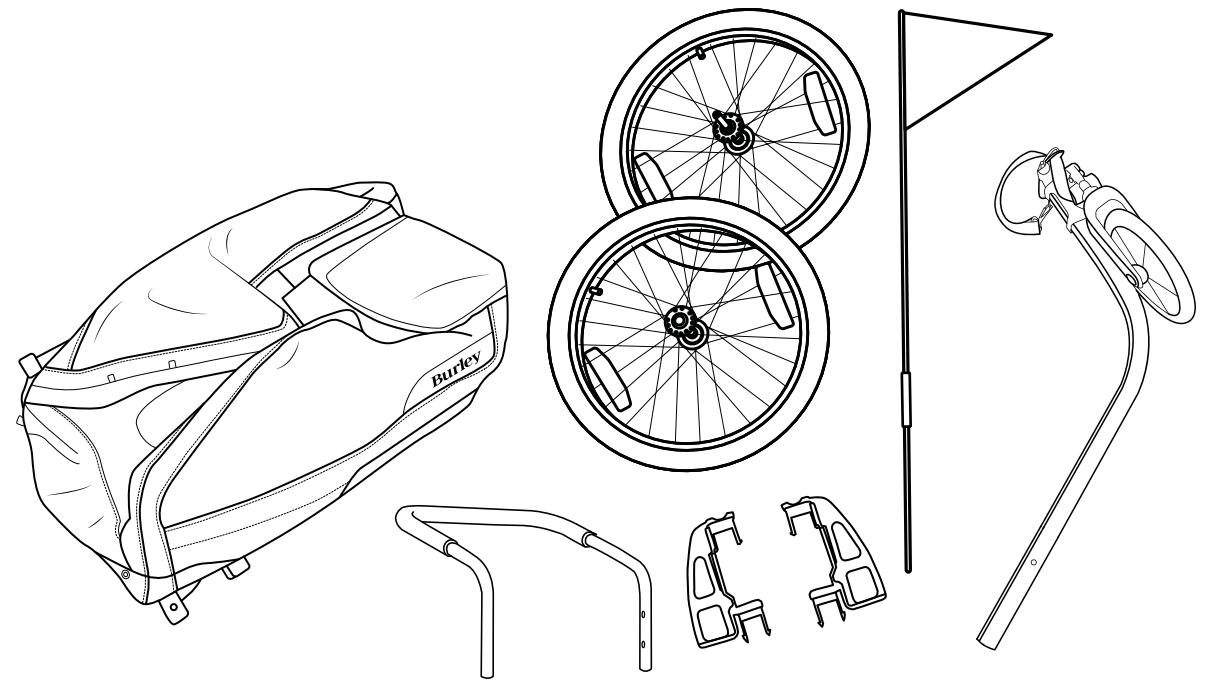
- Maximum Weight of Pet + Cargo:  
Bark Ranger: 75 lbs (34 kg), pet + cargo  
Bark Ranger XL: 100 lbs (45 kg), pet + cargo
- Maximum Standing Pet Height:  
Bark Ranger: 25 in (63.5 cm)  
Bark Ranger XL: 34 in (86 cm)
- Maximum Standing Pet Length:  
Bark Ranger: 29 in (73 cm)  
Bark Ranger XL: 33 in (83 cm)



Always comply with local regulations for maximum trailer weight.

## Box Contents:

- 1 Trailer
- 1 Safety Flag
- 2 Wheels
- 1 Tow Bar/1-Wheel Stroller Kit & Hitch
- 2 Wheel Guards
- 1 Handlebar



## Burley Trailer Guide:

1. Handlebar
2. Push Button Handlebar Release
3. Push Button Wheels
4. Wheel Guard
5. Receiver
6. Tow Arm
7. 1-Wheel Stroller Kit/Hitch
8. Parking Brake Lever
9. Frame Latch (under cover)
10. Accessory Attachment Loops



## Assembling Your Trailer

1. Rotate front frame tube towards the front of the trailer (Figure 1).
2. Rotate rear frame tube towards the rear of the trailer (Figure 2).
3. Unfold the middle frame tube upwards (Figure 3) until the frame buttons click into place (Figure 4).
4. Align the front frame with the middle frame so that the front frame tube sits in the black plastic saddles (Figure 5).
5. Secure the trailer frame by rotating the frame latch down until it snaps into place (Figure 6). Give the frame a slight tug upwards to ensure that the frame latch is engaged.

### WARNING

Care must be taken when folding and unfolding to prevent finger entrapment.

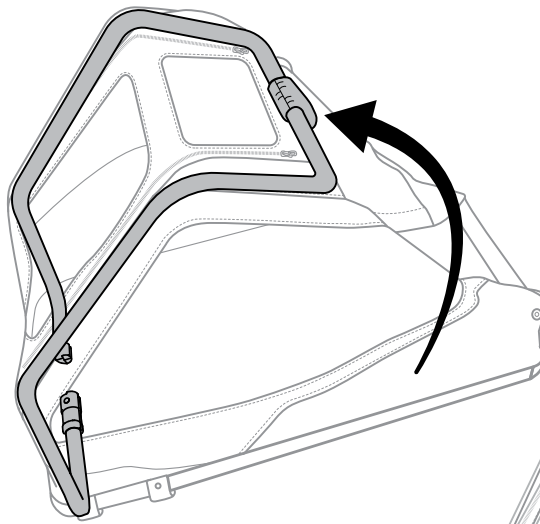


Figure 1

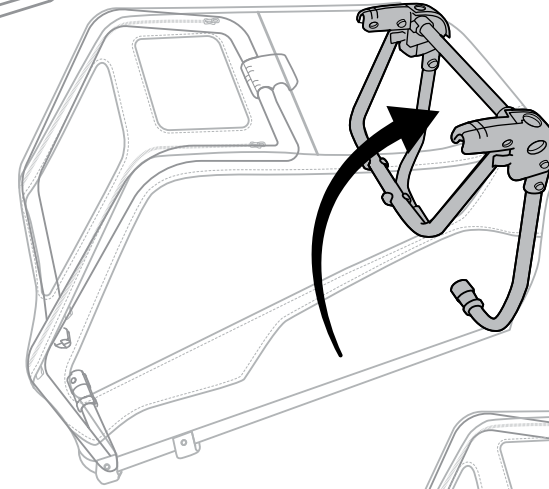


Figure 2

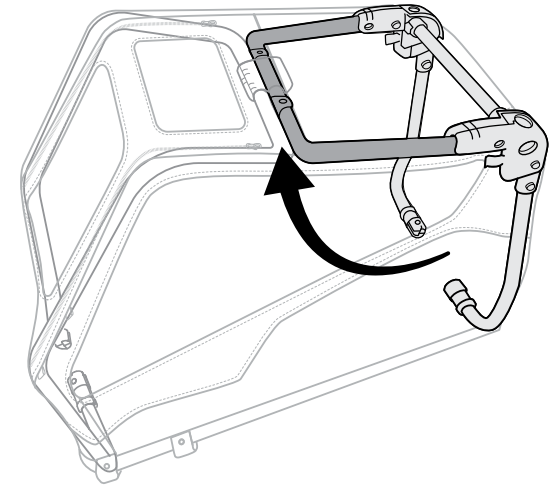


Figure 3

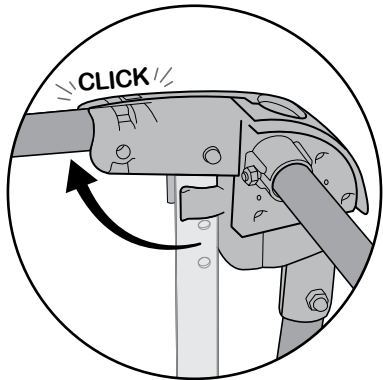


Figure 4

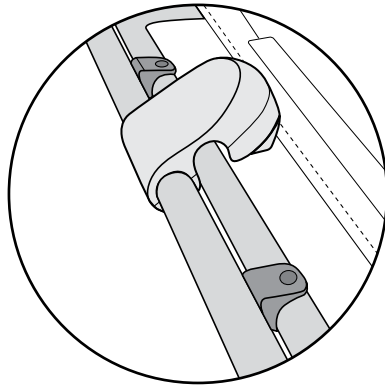


Figure 5

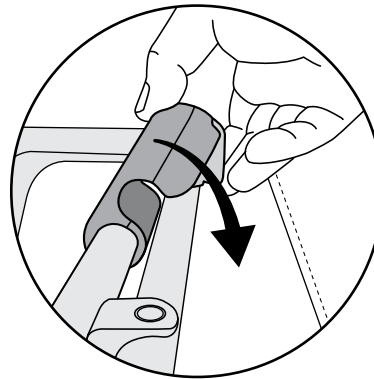


Figure 6

## Closing Your Trailer

1. Remove all contents from the interior and exterior of the trailer, including the handlebar (see pg. 10).
2. Release frame latch by pulling the yellow slider back to disengage the locking mechanism, and rotate upwards (Figure 7).
3. From the rear of the trailer, depress and hold the right and left frame buttons (Figure 8), and rotate the middle frame member downwards until it snaps into place (Figure 9).
4. Fold the rear frame down, followed by the front frame (Figure 10).

NOTE: Damage to the mesh windows and trailer fabric can occur if trailer is folded with wheels installed.

### WARNING

Care must be taken when operating frame latch to avoid pinching of fingers and hands.

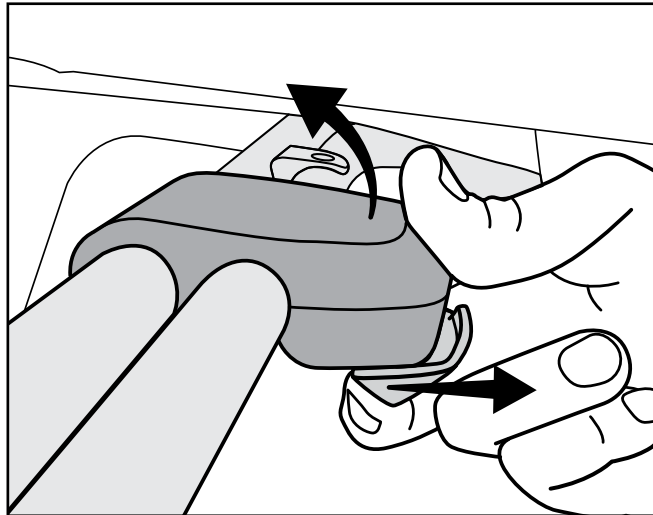


Figure 7

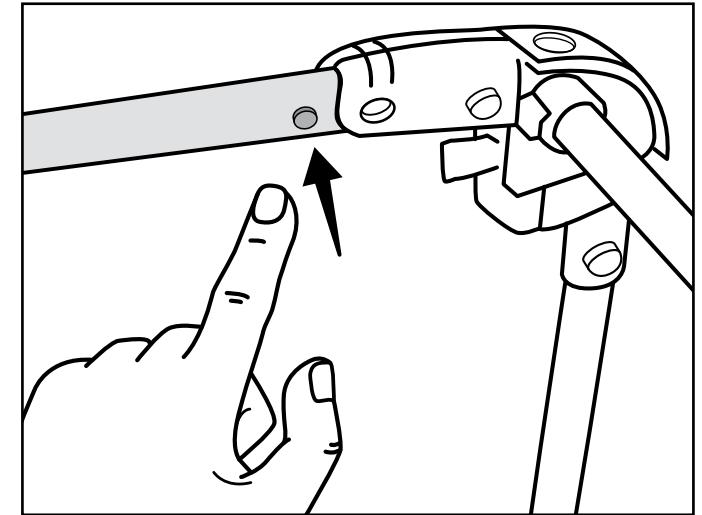


Figure 8

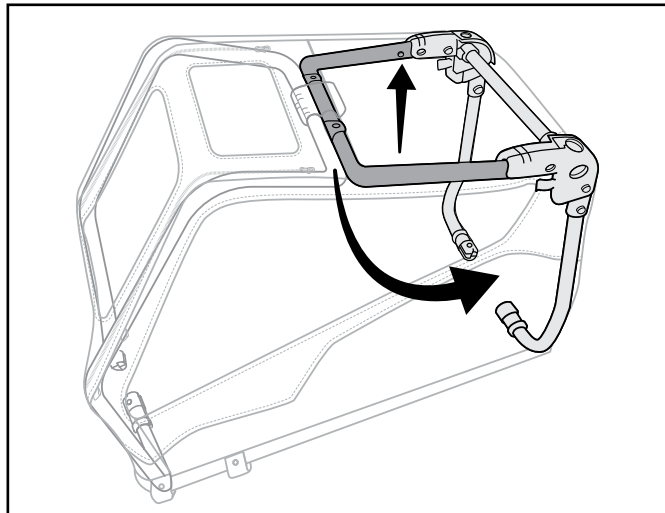


Figure 9

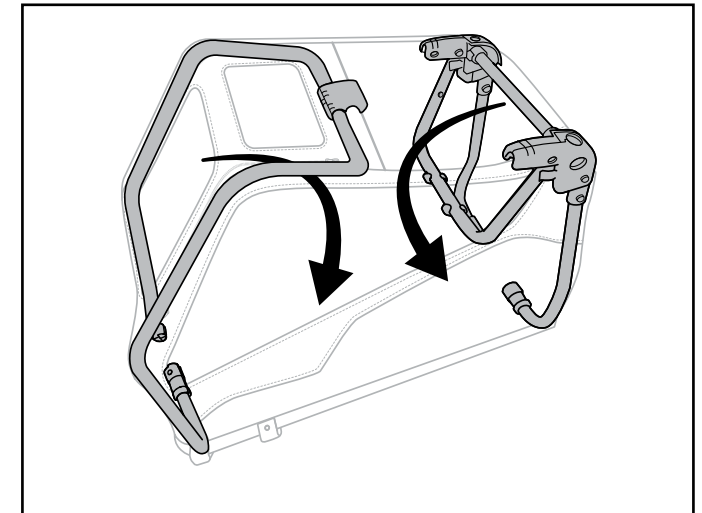


Figure 10

## Attaching the Wheels

1. Push in the rubber button on the outside of the wheel hub (Figure 11).
2. Insert wheel axle into axle receiver, and then release the button (Figure 12). Pull firmly on wheel to confirm the axle is fully engaged.

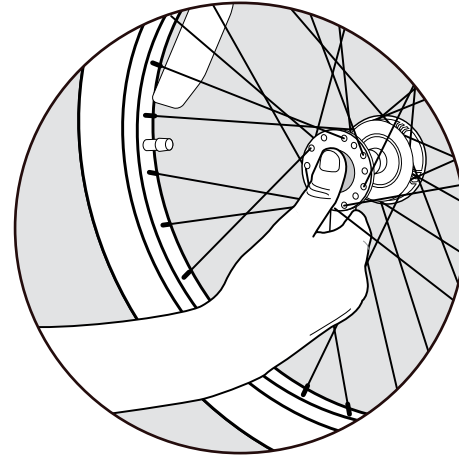


Figure 11

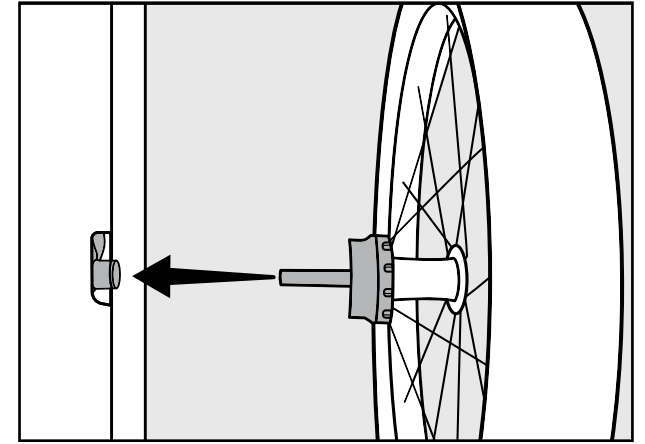


Figure 12

## Parking Brake Operation

1. Ensure the trailer is at a complete stop.
2. Rotate the red parking brake lever so that it points towards the front of the trailer (Figure 13). The trailer may need to rotate forward slightly for the brake to engage, and the lever to fully rotate.
3. The trailer may need to rotate forward slightly for the brake to engage, and the lever to fully rotate. To disengage the parking brake, fully rotate the lever so that it points towards the rear of the trailer.

### WARNING

The parking brake is only intended to be used when the trailer is at a complete stop. Use of the parking brake while in motion can result in damage, an accident, serious injury, or death.

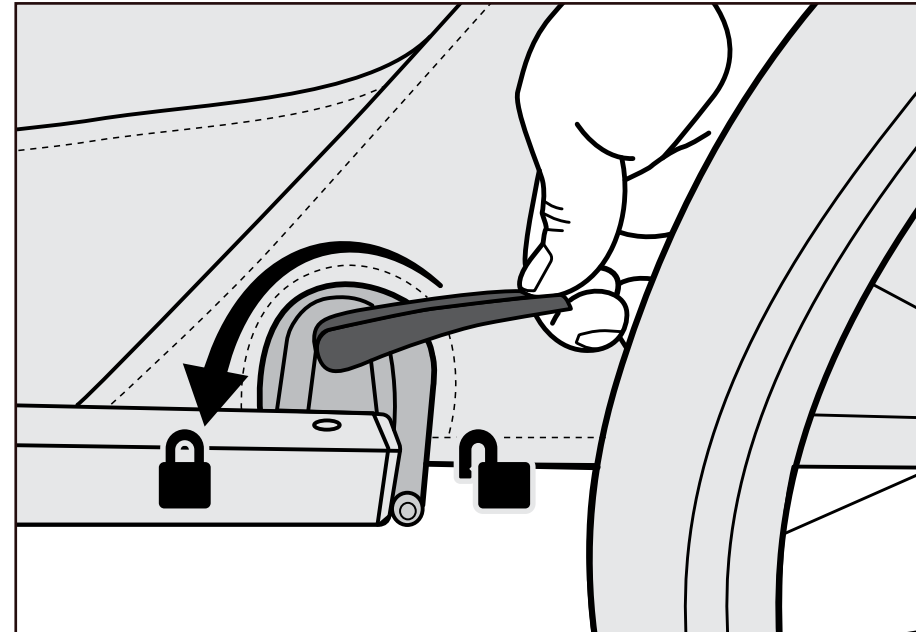


Figure 13

## Installing the Wheel Guards

1. Position the wheel guard as shown (Figure 14).
2. Slide the wheel guard into the tow bar receiver until it snaps into place (Figure 15). Lightly bend front tabs inward when inserting.
3. Repeat on other side.

## Installing the Tow Bar

1. Depress detent and slide the tow bar receivers until hole A is aligned with hole B (Figure 16).
2. Insert the retaining pin from the top through the aligned holes (Figure 17).
3. Make sure the retaining pin has locked properly as shown (Figure 18).

## Removing the Tow Bar

1. Remove the retaining pin.
2. Press the tab on the wheel guard to depress the detent, and remove the tow bar.

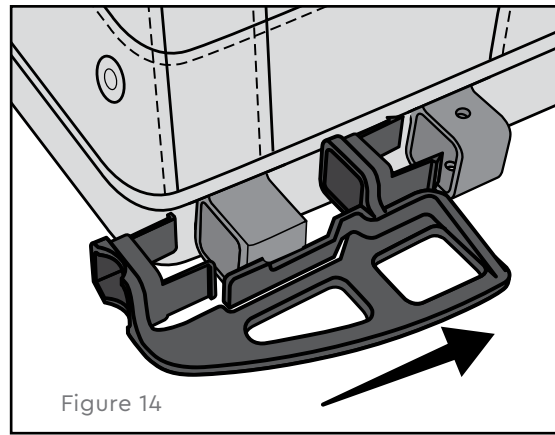


Figure 14

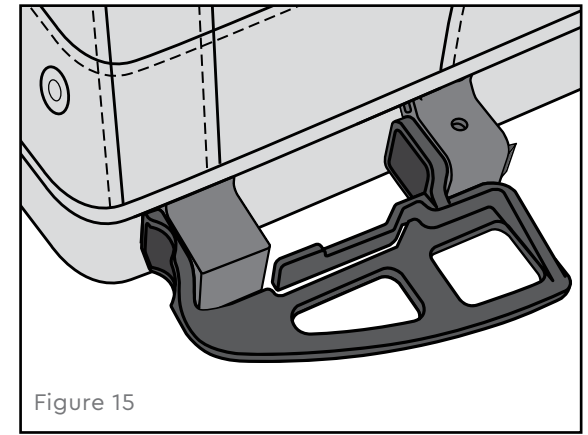


Figure 15

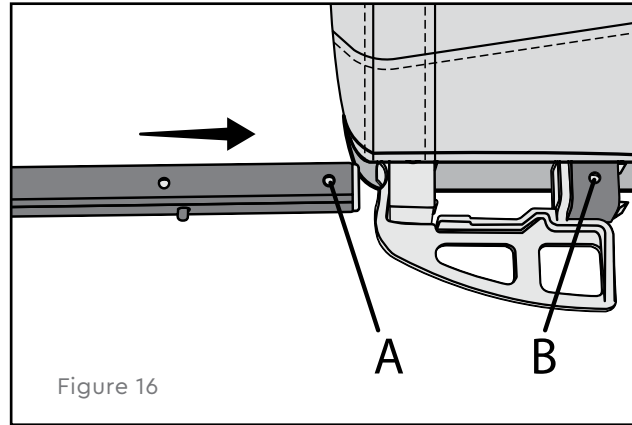


Figure 16

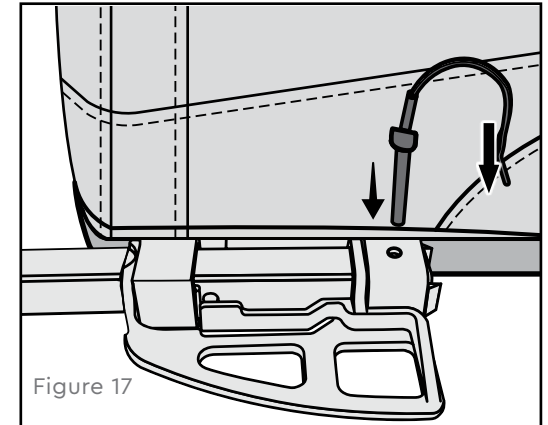


Figure 17

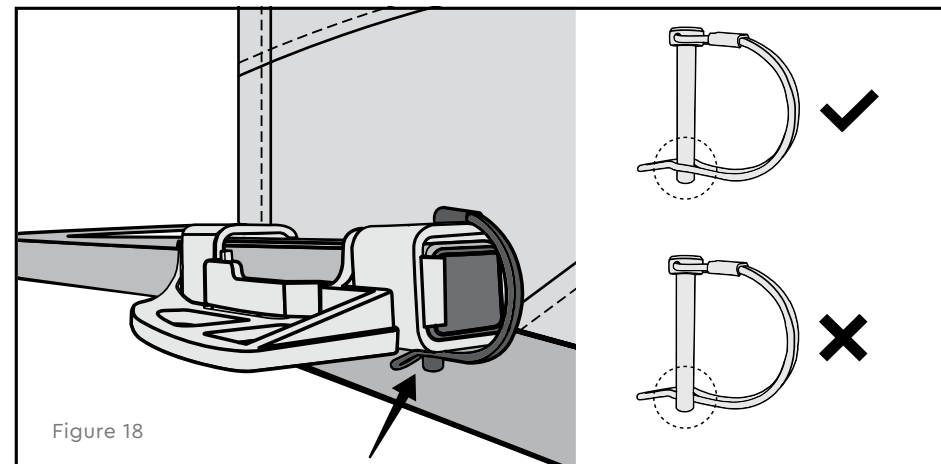


Figure 18

## Converting to Stroller Mode

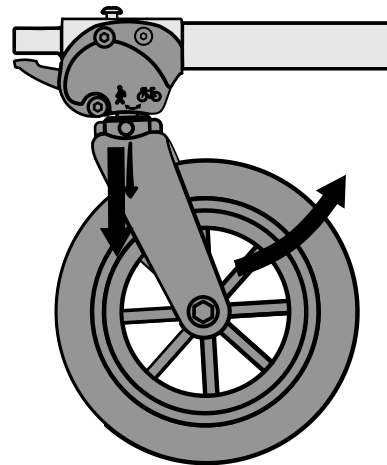
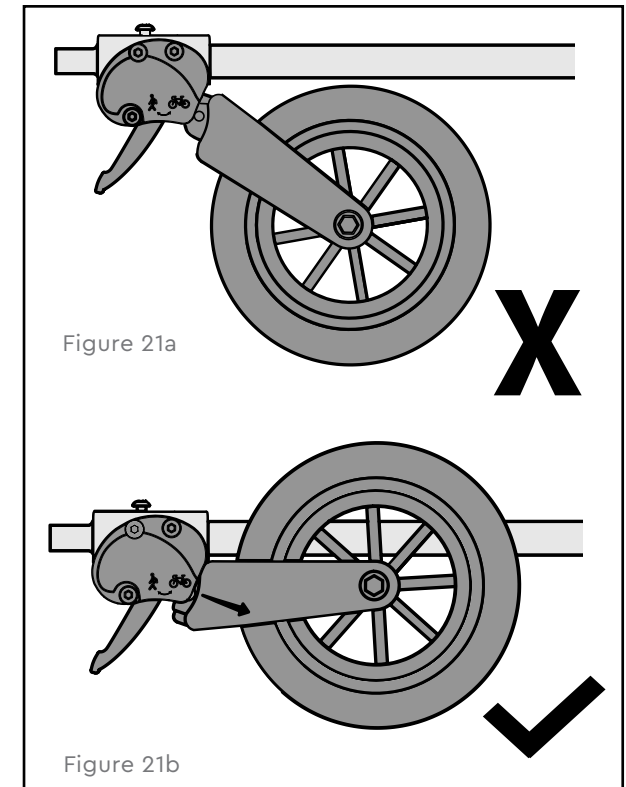
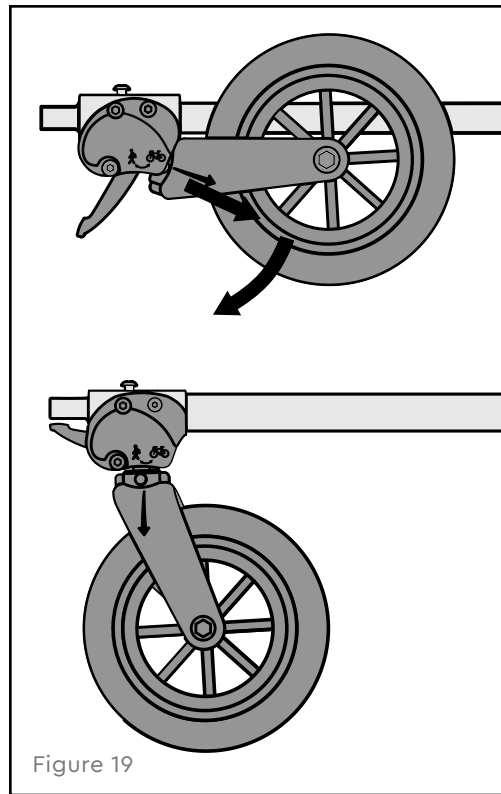
1. Pull fork as shown (Figure 19), then rotate wheel down fully. Fork will automatically secure into the locked position.

## Converting to Trailer Mode

1. Pull fork down (Figure 20) and rotate up into trailer mode as shown. Fork will automatically lock into trailer position when positioned correctly (Figure 21b). If the white arrow is not visible on the same side as the MODE graphics, the stroller wheel is not locked in place (Figure 21a).

### WARNING

Stroller wheel must always be folded up, in trailer mode, before pulling behind a bicycle. Failure to position stroller wheel in trailer mode before cycling could result in an accident and serious injury or death.



## Handlebar Installation/Adjustment

1. Insert handlebar into receiver, depress both yellow handlebar receiver buttons and insert the handlebar past the buttons. (Figure 22)
2. Release the buttons and slide the handlebar until it clicks into place. (Figure 22)
3. The handlebar has two height settings. Depress each handlebar receiver button to slide the handlebar to desired setting (Figure 22). Ensure that both sides of handlebar are in the same height setting.
4. Before use, push down and then pull up slightly on the handlebar grip to ensure that the handlebar is locked into place.
5. To remove handlebar, depress both buttons and slide handlebar out completely.

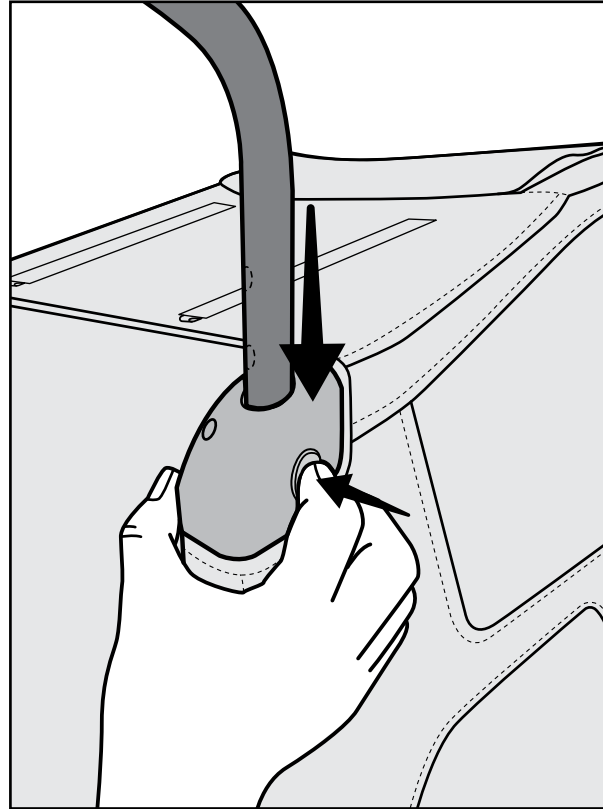


Figure 22

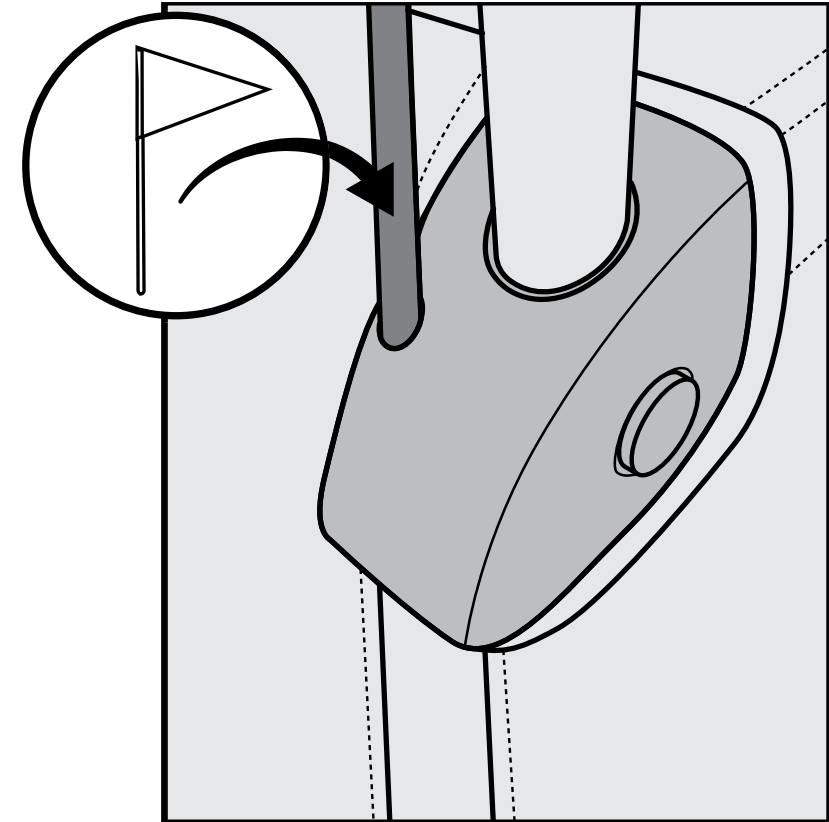


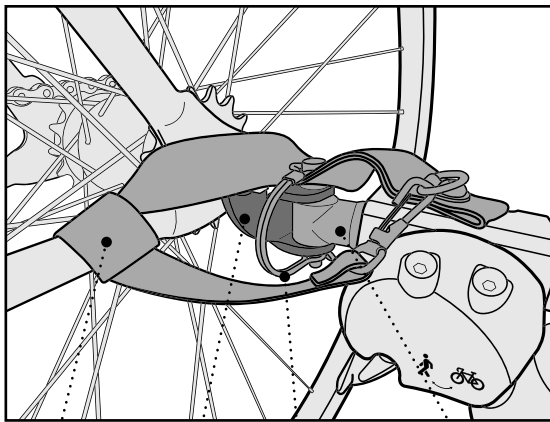
Figure 23

## Flag Installation

1. Insert the flag into the flag mount located on either handlebar receiver. Ensure it is inserted completely. (Figure 23)

## Hooking up Your Trailer

1. **Quick Release or Nutted Axle:** Remove quick release skewer or nut from the left side of bike's rear wheel axle. Install hitch between quick release or nut and frame (Figure 24). Tighten the quick release or nut following manufacturer's recommendation. The hitch can remain on the bike when trailer is removed. Consult Burley.com for accessories designed to help fit your trailer to your bike.  
**Thru Axle:** Consult Burley.com to obtain proper fit and installation to your bike (Figure 25).
2. **Hooking the tow bar to the hitch:** Insert flex connector between the two tabs on the hitch (Figure 26), such that all the holes are aligned. Insert retaining pin and close retainer (Figure 27). Wrap safety strap around the frame of the bike twice and latch to the D-ring on the tow bar (Figure 28). The strap and latch should not be making contact with the spokes.
3. **Removing the tow bar from the hitch:** Unlatch the safety strap from the D-Ring and unwrap it from the frame of the bike. Open the retainer on the retaining pin and remove it. Then remove the flex connector from the hitch.



Safety Strap Hitch Retaining Pin Flex Connector

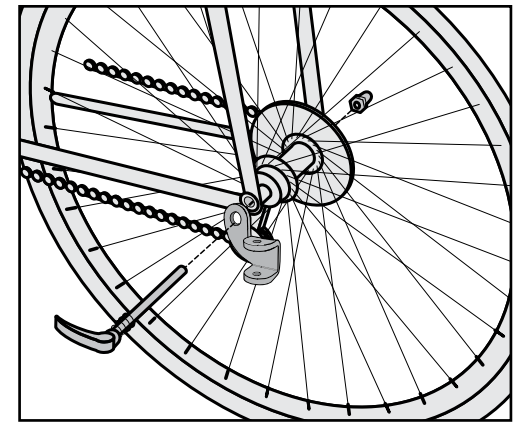


Figure 24



Figure 25

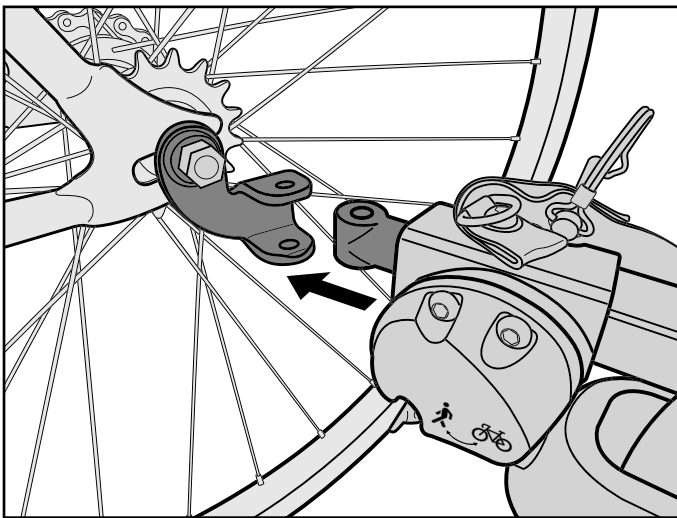


Figure 26

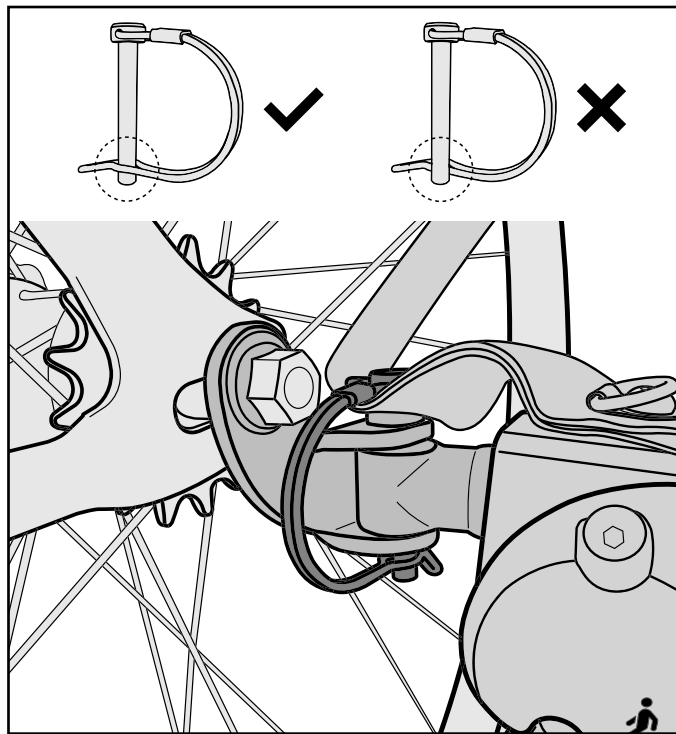


Figure 27

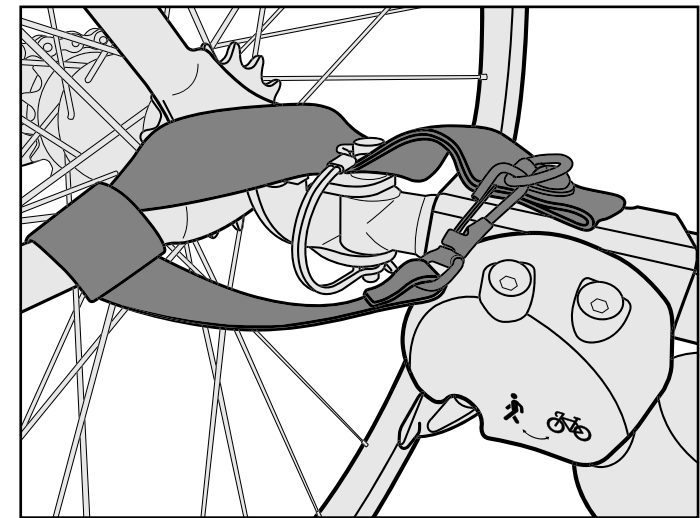


Figure 28



## Securing the Cover

1. The front mesh window can be unzipped from the front of the trailer. The window can be rolled and fastened by inserting the door hooks in the reflective loops at location ② (Figure 29).
2. For increased security of pet while riding, the front mesh window can be unzipped and rolled from the roof of the trailer. Fasten the window by inserting the door hooks in the reflective loops at location ① (Figure 30).
3. The rear trailer door cover can be rolled and secured by inserting the hanging hooks in the reflective loops at location ③ (Figure 31).
4. The rear door mesh window can be rolled and secured by inserting the hanging hooks in the reflective loops at location ③ (Figure 32).

NOTE: Ensure that doors are secured prior to using the trailer in bike or stroller mode.

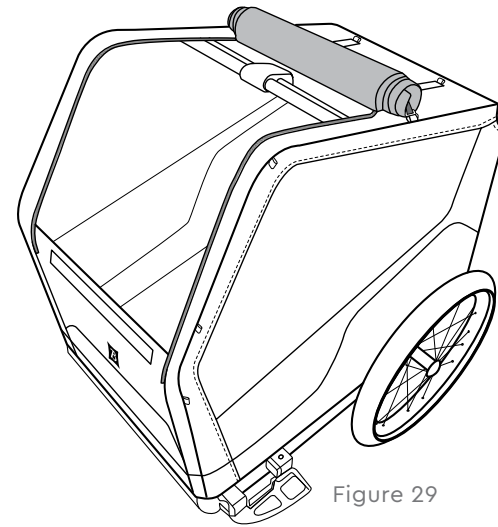


Figure 29

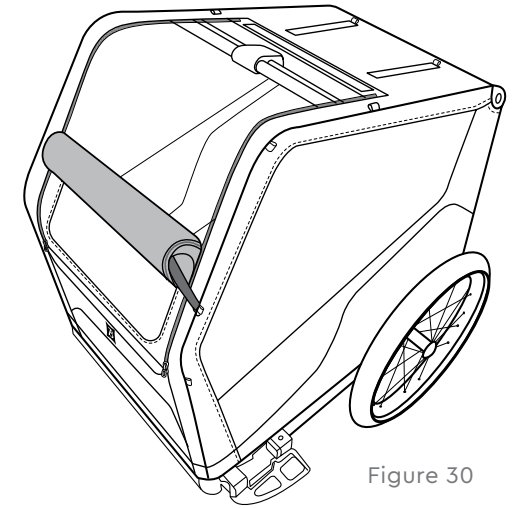
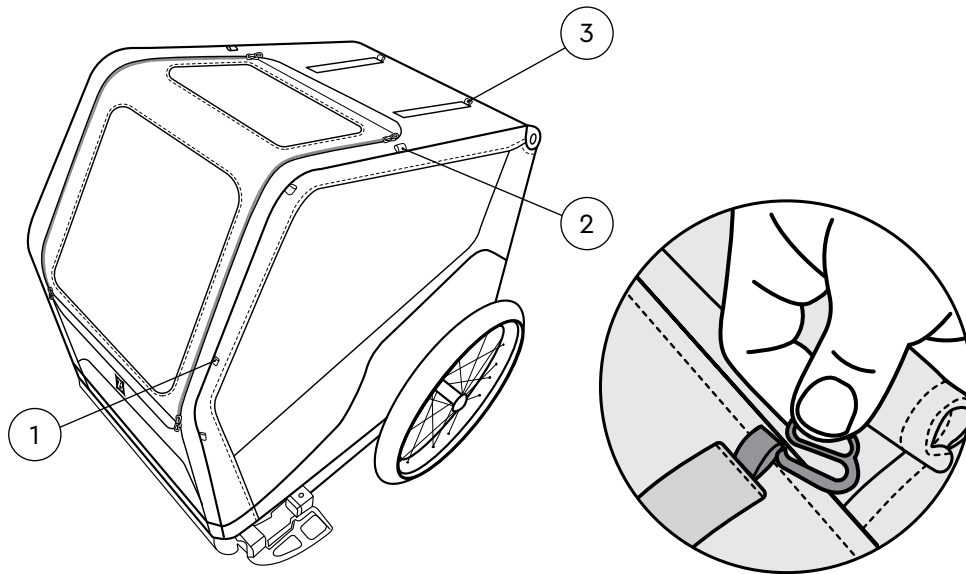


Figure 30



Reflective Loop Locations

Hook and Loop Detail

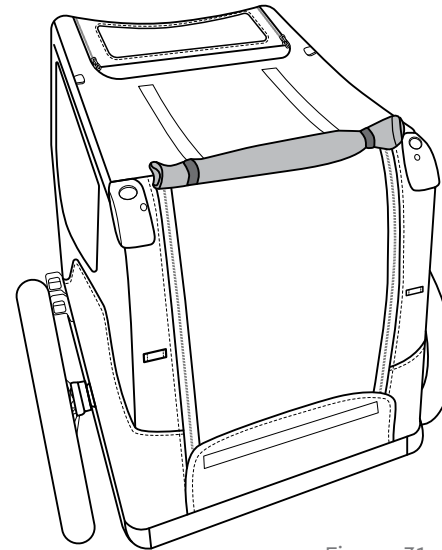


Figure 31

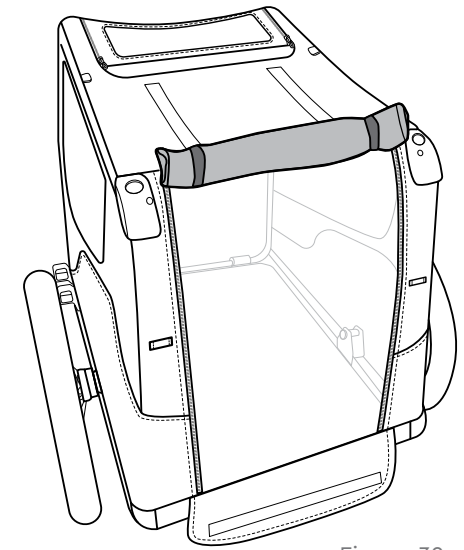


Figure 32

## Floorboard Removal/Cleaning

1. From the back of the trailer, push the bottom of the floorboard upwards towards the inside of the trailer, on both corners, until it snaps past the plastic retainer.
2. Rotate floorboard upwards and slide towards the back of the trailer.
3. Remove and hand wash fabric parts with warm water and mild soap or detergent. DO NOT use bleach or solvents.
4. Reinstall by sliding front under front frame tubes and rotating downwards.
5. Push floorboard firmly down and ensure all snaps are engaged on floorboard.

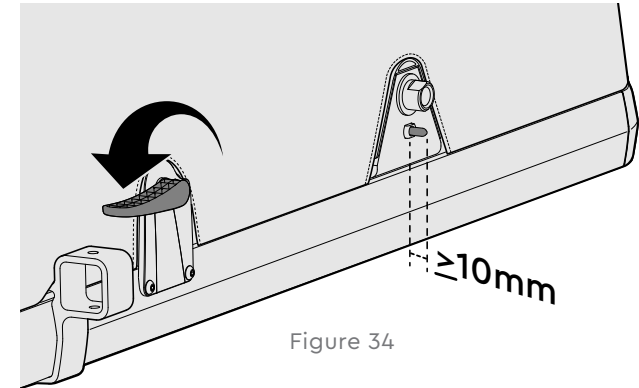
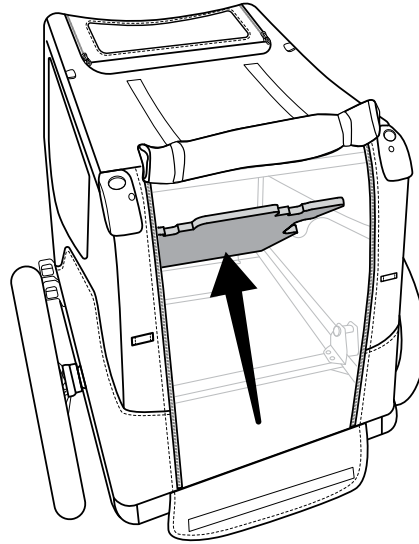


Figure 34

## Brake Adjustment

1. Remove the wheels and activate the brake lever (Fig. 34).
2. The brake pins should protrude a minimum of 10mm (Fig. 34). If less than 10mm, they will need to be adjusted to ensure proper brake function.
3. To adjust the brake rod protrusion:
  - a. Remove floorboard.
  - b. Raise brake cable flap on the brake lever side of the trailer (Fig. 35)
  - c. Adjust the cable by rotating the corresponding barrel adjuster counterclockwise to tighten the cable (Fig. 36). Rotate the left barrel adjuster for the left-side brake and the right barrel adjuster for the right-side brake.
  - d. Rotate barrel adjuster until pin protrudes a minimum of 10mm.
  - e. Secure the adjuster by tightening the nut against the plastic housing using a 8mm wrench (Fig. 37).
4. Release the brake and activate it to ensure proper function
5. Lower the brake cable flap and replace floorboard.

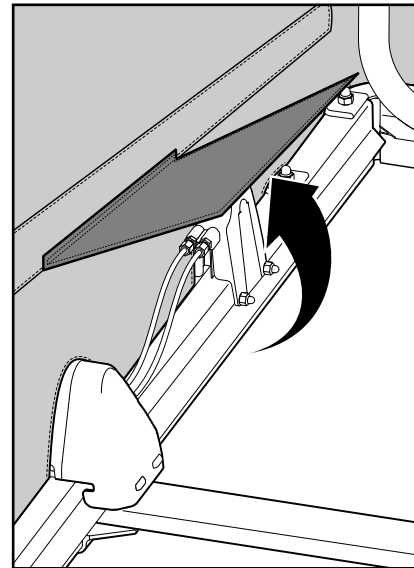


Figure 35

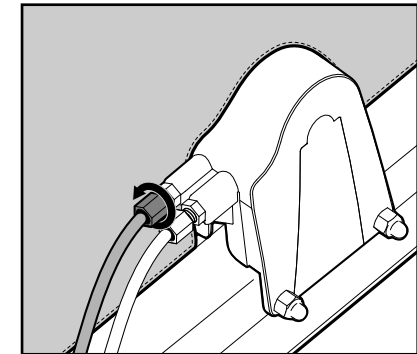


Figure 36

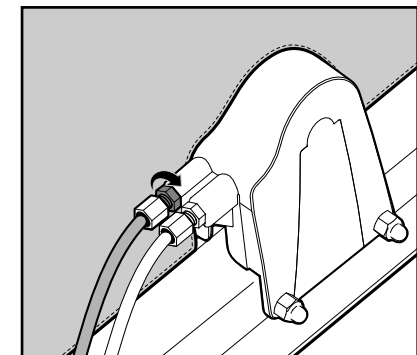
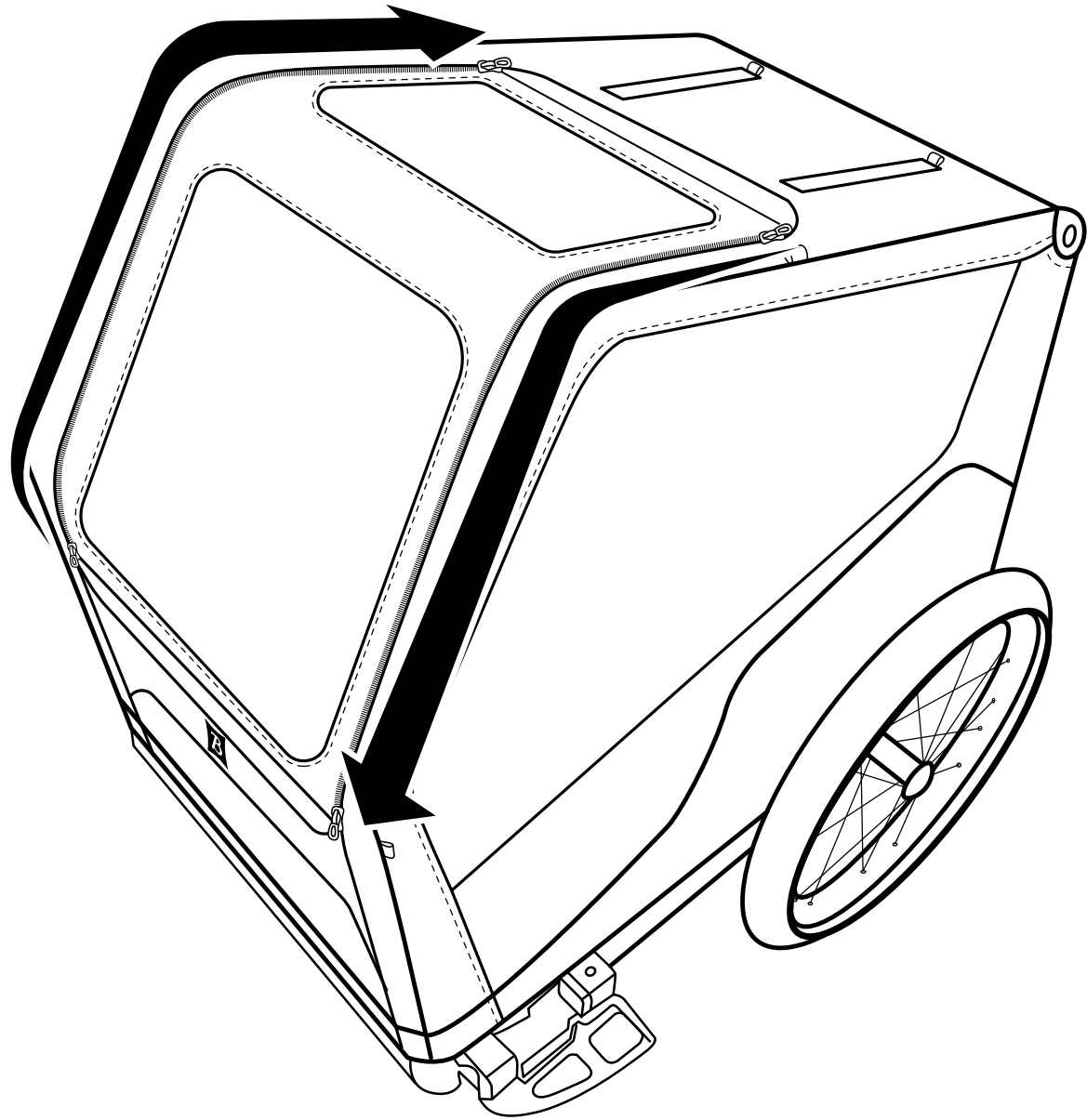


Figure 37

## Front Window Removal

1. The front window can be removed for replacement or repair.
2. Unzip the right side zipper to the TOP of the window and remove sliders from trailer (Fig. 39).
3. Unzip the left side zipper to the BOTTOM of the window and remove zipper sliders from trailer (Fig. 39).
4. To reinstall window, reattach right side zipper at TOP of the window and reattach left side zipper at BOTTOM of window.



## Before You Ride:

### Check before each use:

1. Wheels are properly secured to the trailer
2. Tires are inflated to recommended pressure on the tire side wall
3. Tow bar is properly secured to the trailer
4. Hitch is properly secured to the bicycle
5. Hitch and tow bar lock pin retainers are secured
6. Hitch safety strap is properly installed
7. Weight of tow bar at hitch is greater than 2 lbs (1 kg) but does not exceed 20 lbs (9 kg) with fully loaded trailer
8. Bicycle is in proper working order, especially brakes and tires (refer to bicycle manufacturer's instructions)
9. Safety flag is installed
10. Lighting is adequate for riding conditions
11. Check that parking brake is released before riding
12. Cover is installed and closed
13. Load does not exceed:
  - Bark Ranger: 75 lbs (34 kg)
  - Bark Ranger XL: 100 lbs (45 kg)

### Check monthly:

- Inspect tow bar, hitch, frame tubing, flex connector and hardware for damage
- Flex Connectors need to be replaced every 3 years for safe operation
- Check that bolts are tight
- Inspect tires and wheels for trueness, wear, and cracks
- Inspect fabric parts for rips, abrasions, and missing or damaged hardware

Contact your authorized Burley dealer for replacement of any damaged or worn parts.

Always comply with local regulations for maximum trailer weight.

## Maintaining Your Burley

### Storage:

For longer product life, store trailer indoors. The trailer should not be stored at temperatures less than -10°F (-23°C) or greater than 150°F (65°C).

If trailer is used in a high salt spray environment (beach or salted roads) then it is highly recommended to spray off the trailer after use before storage.

### Fabric Care:

Hand wash fabric parts with warm water and mild soap or detergent. DO NOT use bleach or solvents. Wipe dry and store out of direct sunlight in a dry, well-ventilated area.

## Burley Limited Warranty:

This Burley trailer is warranted from the date of purchase against defects in materials and workmanship as follows: fabric parts for one year, frame and plastic parts for five years. Your original dated sales or delivery receipt showing the date of purchase is your proof of purchase.

If a defect in materials or workmanship is discovered during the Limited Warranty period, we will, at our sole option, repair or replace your product at no cost to you. This warranty is only valid in the country in which the product was purchased.

The Limited Warranty extends only to the original retail purchaser of this product and is not transferable to anyone who obtains ownership of the product from the original purchaser.

The Limited Warranty does not cover claims resulting from misuse, failure to follow the instructions, installation, improper maintenance and use, abuse alteration, involvement in an accident, and normal wear and tear. The Limited Warranty does not cover products which are used in rental operations and Burley will not be liable for any incidental or commercial damages relating to such use.

TO THE GREATEST EXTENT PERMITTED BY LAW, THIS LIMITED WARRANTY IS EXCLUSIVE AND IN LIEU OF ANY OTHER WARRANTY, WRITTEN OR ORAL, INCLUDING BUT NOT LIMITED TO ANY EXPRESS OR IMPLIED WARRANTY OF MERCHANTABILITY OR FITNESS FOR A PARTICULAR PURPOSE. The duration of any implied warranties, including any implied warranty of merchantability or fitness for a particular purpose that may exist during the express warranty period are expressly limited to the limited warranty period.

Some states and countries do not allow limitations on how long an implied limited warranty lasts; therefore, the above limitation and exclusions may not apply to you.

THE CUSTOMER'S EXCLUSIVE REMEDY FOR BREACH OF THIS LIMITED WARRANTY OR OF ANY IMPLIED WARRANTY OR OF ANY OTHER OBLIGATION ARISING BY OPERATION OF LAW OR OTHERWISE SHALL BE LIMITED AS SPECIFIED HEREIN TO REPAIR OR REPLACEMENT, AT OUR SOLE OPTION. IN ANY EVENT, RESPONSIBILITY FOR SPECIAL, INCIDENTAL AND CONSEQUENTIAL DAMAGES IS EXPRESSLY EXCLUDED.

Some states do not allow the exclusion of limitation of incidental or consequential damages, so the above limitation of exclusion may not apply to you.

Our goods come with guarantees that cannot be excluded under the Australian Consumer Law. You are entitled to a replacement or refund for a major failure and for compensation for any other reasonably foreseeable loss or damage. You are also entitled to have the good repaired or replaced if the goods fail to be of acceptable quality and the failure does not amount to a major failure.

This Limited Warranty gives you specific legal rights, and you may have other rights that vary from state to state or country.

For warranty service or replacement part information for the USA or Canada, please contact Burley directly by calling 800-311-5294 or emailing [burley@burley.com](mailto:burley@burley.com). For warranty service or replacement part information outside of the USA and Canada please contact the place of purchase for warranty service. Please be prepared to provide the product model, serial number, and a description of the warranty issue.

Some replacement parts may be available for purchase after this limited warranty expires. Please visit us at [www.burley.com](http://www.burley.com) or call us at 541-687-1644 for more information.



## WARNUNG

Die Nichtbeachtung der Anweisungen und Warnungen in dieser Anleitung kann zu schweren Verletzungen oder zum Tod des Passagiers oder Fahrers führen.

- Das Haustier nie unbeaufsichtigt lassen.
- Ihr Haustier NICHT an irgendeinem Teil des Anhängers anleinen oder befestigen
- Vor Gebrauch sicherstellen, dass alle Verriegelungen geschlossen sind.
- Sicherstellen, dass Ihr Haustier beim Aus- und Zusammenklappen dieses Produkts nicht in der Nähe ist, damit es nicht zu Verletzungen kommt.
- NICHT für die Verwendung durch Kinder geeignet. Dieses Produkt ist kein Spielzeug.
- Sicherstellen, dass das Haustier nicht mit den Speichen oder anderen beweglichen Teile in Berührung kommen kann.
- Denken Sie an Gefahren für weniger aktive Anhängerinsassen, z. B. durch Windkühle bei längerer Einwirkung von niedrigen Temperaturen oder umgekehrt wegen Hitzekollaps durch längere Zeit bei wärmeren Temperaturen ohne ausreichende Belüftung oder Flüssigkeitszufuhr.
- Gegenstände, die auf den Anhänger gestellt werden, können dazu führen, dass der Anhänger instabil wird. Es kann zu gefährlichen Situationen kommen, wenn nicht zugelassene Zubehöerteile zu diesem Produkt hinzugefügt werden. Beachten Sie die Richtlinien zur Beladung von Burley, wenn Sie von Burley zugelassenes Zubehör hinzufügen.
- Jede am Griff oder an den Seiten des Fahrzeugs befestigte Last beeinträchtigt die Stabilität des Fahrzeugs.
- Dieses Produkt ist nicht zum Joggen oder Skaten geeignet.
- Den Anhänger NICHT mit einem motorisierten oder elektrischen Fahrzeug ziehen (zugelassene Elektrofahrräder sind gestattet).
- NICHT mit einer Gesamtlast verwenden, die die Gewichtsgrenzen überschreitet. Wird die empfohlene Last überschritten, kann das Fahrzeug instabil werden.
- KEINE Änderungen am Produkt vornehmen.
- Die Reifen NICHT zu stark aufpumpen. Wird der auf der Reifenflanke angegebene Nenndruck nicht eingehalten, kann der Reifen platzen, wodurch es zu Verletzungen kommen kann.
- Beim Schieben nur Wege verwenden, die zum Gehen bestimmt sind. Den Anhänger nicht an steilen Hängen verwenden, da dies das Produkt instabil machen kann. Sie sollten jederzeit in der Lage sein, Zugkraft und Kontrolle zu behalten.
- NICHT über Treppen oder andere Hindernisse fahren, während sich das Haustier im Anhänger befindet.
- Nur mit von Burley zugelassenem Zubehör verwenden. Bei der Befestigung des Zubehörs an Ihrem Anhänger sollten Sie zunächst alle im Lieferumfang des Zubehör-Kits beinhaltenen Warnhinweise und Anleitungen lesen.

Hinweis: Links und rechts beziehen sich auf Stehen hinter dem Anhänger mit dem Blick nach vorn.



## WARNUNG

Nur mit von Burley zugelassenem Zubehör verwenden. Bei der Befestigung eines Zubehöerteils an Ihrem Anhänger sollten Sie zunächst alle im Lieferumfang des Zubehör-Kits beinhaltenen Warnhinweise und Anleitungen lesen.

### Bei Verwendung als Fahrradanhänger:

- Es wird empfohlen, vor dem Anbringen des Anhängers eine Sicherheitsüberprüfung des ziehenden Fahrrads von einem qualifizierten Fahrradmechaniker durchführen zu lassen.
- Vergewissern Sie sich vor jeder Fahrt, dass der Anhänger das Bremsen, Treten oder Lenken des Fahrrads nicht behindert.
- Halten Sie bei Gebrauch des Anhängers auf öffentlichen Straßen stets die örtlichen Vorschriften ein.
- Niemals nachts ohne ausreichende Beleuchtung mit dem Fahrrad fahren.
- Halten Sie alle örtlichen gesetzlichen Vorschriften für die Beleuchtung ein.
- Die mit dem Anhänger mitgelieferten roten Reflektoren müssen auf der Rückseite des Anhängers immer angebracht und sichtbar sein.
- Wenn Sie aus irgendeinem Grund anhalten müssen, z. B. um nach Ihrem Haustier zu sehen, Einstellungen vorzunehmen oder sich um einen platten Reifen zu kümmern, sollten Sie die Straße verlassen.
- Bei Verwendung eines Anhängers ziehen Sie zusätzliches Gewicht und bewegen ein größeres Fahrzeug. Sie müssen mit mehr Zeit zum Bremsen, langsamer Werden, Anhalten und Anfahren rechnen und mehr Platz in Kurven und Durchgängen lassen.
- Üben Sie zunächst mit dem beladenen Anhänger in einem Bereich mit genug Platz, bis Sie mit dem Verhalten Ihres Fahrrads mit einem Anhänger vertraut sind.
- Vermeiden Sie Steine, Bordsteine, starkes Bremsen und schnelle Richtungswechsel. Vermeiden Sie es, mit einem Rad über Hindernisse zu fahren, da der Anhänger sonst umkippen kann.
- Verwenden Sie den gesunden Menschenverstand, wenn Sie entscheiden, ob Wetter, Straßen- oder Verkehrsbedingungen für die Verwendung eines Burley sicher sind. Die empfohlene Temperaturspanne für den Einsatz eines Burley-Anhängers liegt zwischen -7 °C bis 38 °C (20 °F bis 100 °F).
- Immer mit sicher verschlossenen Reißverschlüssen an den Netzfenstern fahren, um Ihr Haustier vor umherfliegenden Fremdkörpern zu schützen.
- Der Fahrer des Fahrrads muss mindestens 16 Jahre alt sein.
- Für das Ziehen des Fahrradanhängers mit einem Elektrofahrrad/Pedelec/E-Bike können gesetzliche Einschränkungen gelten.
- Empfohlene Höchstgeschwindigkeit:
  - 24 km/h auf ebenen, geraden Straßen
  - 8 km/h beim Abbiegen oder auf unebenen Straßen
- Das Anhängergewicht muss für eine sichere Handhabung richtig verteilt sein. Die Abwärtskraft am Ende der Deichsel, wo sie auf das Fahrrad trifft, sollte zwischen 1 kg und 9 kg liegen. So messen Sie die Abwärtskraft: Beladen Sie den Anhänger und platzieren Sie ihn neben einer Personenwaage. Stellen sie sich auf die Waage und notieren Sie sich Ihr Gewicht. Heben Sie auf der Waage das Ende der Deichsel 30 cm vom Boden hoch und notieren Sie noch einmal das Gewicht. Der Gewichtsunterschied ist die Abwärtskraft auf der Deichsel. Wenn das Gewicht zu niedrig ist, kann das Hinterrad des Fahrrads Zugkraft verlieren. Wenn es zu hoch ist, kann die Kupplung überlastet werden.

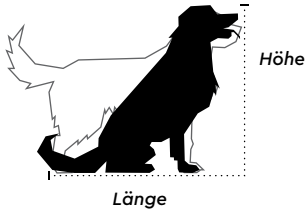


## WARNUNG

Wenn sich Ihr Haustier im Anhänger bewegt, verlagert sich die Gewichtslast auf die Deichsel des Anhängers und überträgt sich direkt auf das Fahrrad. Damit sollten Sie rechnen und sich darauf einstellen, dass Ihr Fahrrad in diesem Fall etwas stärker geschoben oder gezogen wird.

## Maximale Kapazitäten

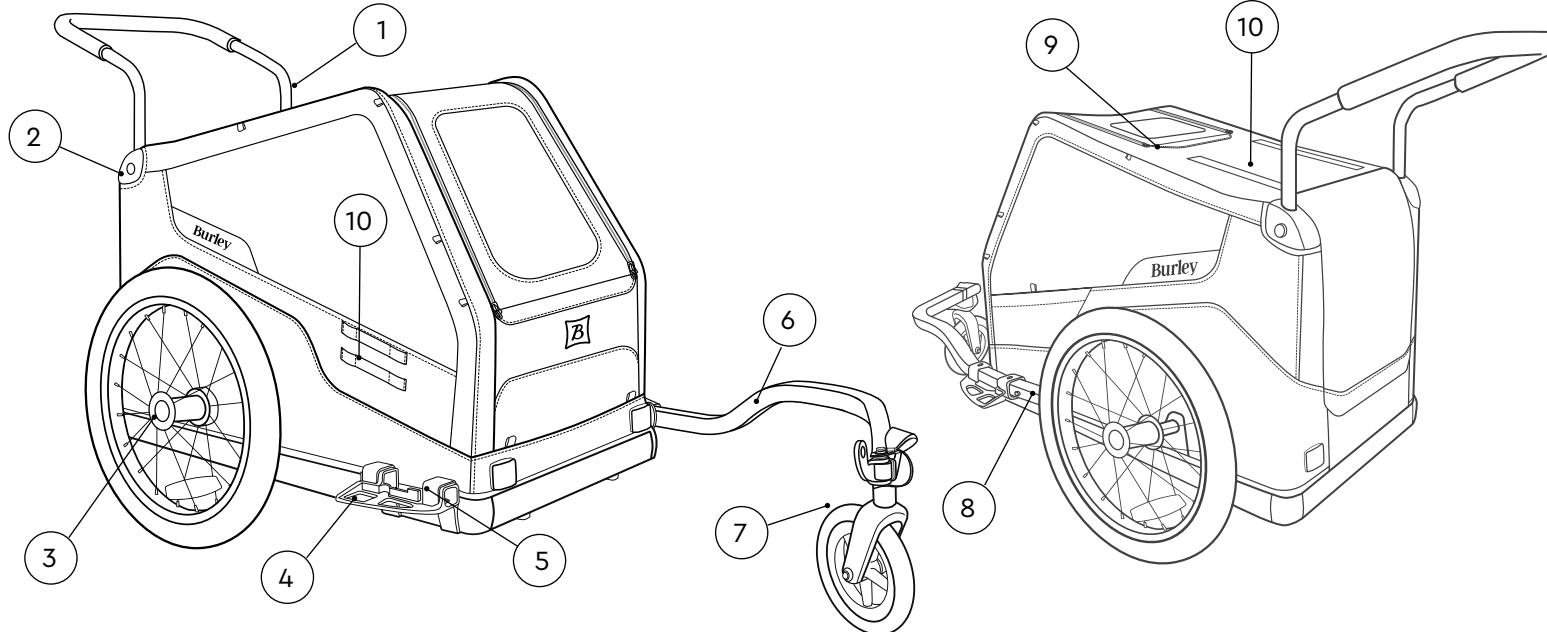
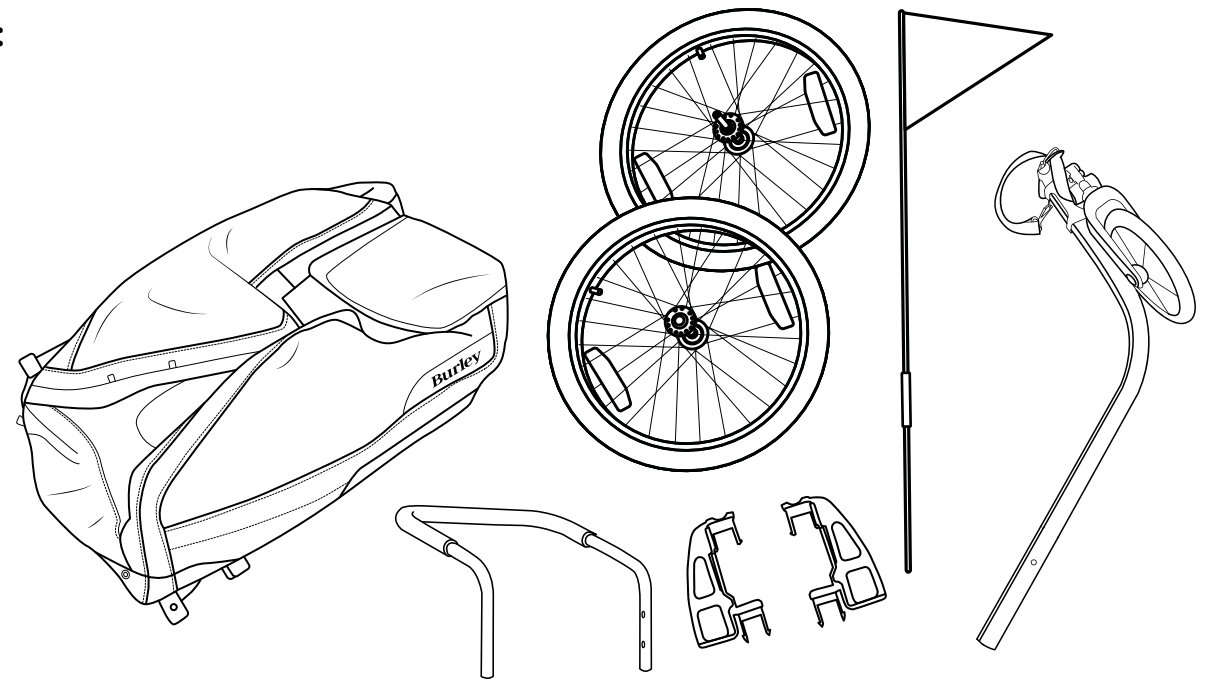
- Maximales Gewicht von Haustier und Beladung:  
Bark Ranger: 34 kg, Haustier + Beladung  
Bark Ranger XL: 45 kg, Haustier + Ladung
- Maximale Höhe des stehenden Tiers:  
Bark Ranger: 63,5 cm  
Bark Ranger XL: 86 cm
- Maximale Länge des stehenden Tiers:  
Bark Ranger: 73 cm  
Bark Ranger XL: 83 cm



Halten Sie immer die örtlichen Vorschriften für die maximale Anhängelast ein.

## Packungsinhalt:

- 1 Anhänger
- 1 Sicherheitswimpel
- 2 Räder
- 1 Deichsel/  
1-Rad-Buggy-Kit &  
Kupplung
- 2 Radschützer
- 1 Lenker



## Anleitung für Burley Anhänger:

1. Lenker
2. Druckknopf für Lenkerentriegelung
3. Push-Button Laufräder
4. Radschutz
5. Aufnahme
6. Deichsel
7. 1-Rad-Buggy-Set/Kupplung
8. Feststellbremshebel
9. Rahmenverriegelung (unter der Abdeckung)
10. Schlaufen für Befestigung von Zubehör



# Zusammenbau des Anhängers

1. Das vordere Rahmenrohr zur Vorderseite des Anhängers drehen (Abbildung 1).
2. Das hintere Rahmenrohr zur Rückseite des Anhängers drehen (Abbildung 2).
3. Das mittlere Rahmenrohr so weit nach oben klappen (Abbildung 3), dass die Rahmenknöpfe einrasten (Abbildung 4).
4. Den vorderen Rahmen so auf den mittleren Rahmen ausrichten, dass das vordere Rahmenrohr in den schwarzen Kunststoffsätteln sitzt (Abbildung 5).
5. Den Anhängerrahmen sichern, dazu die Rahmenverriegelung nach unten drehen, bis sie einrastet (Bild 6). Den Rahmen leicht nach oben ziehen, um sicherzustellen, dass die Rahmenverriegelung eingerastet ist.

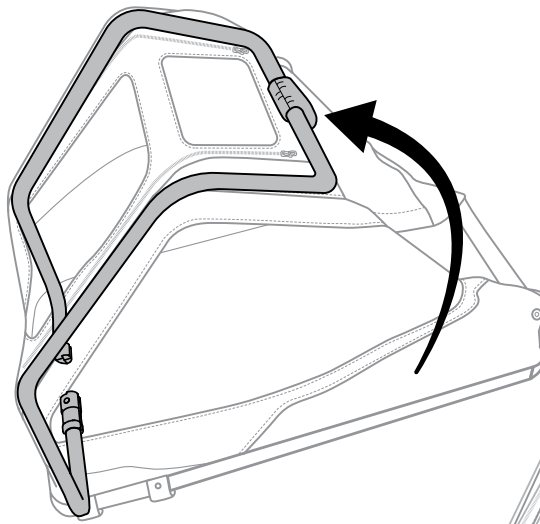


Abbildung 1

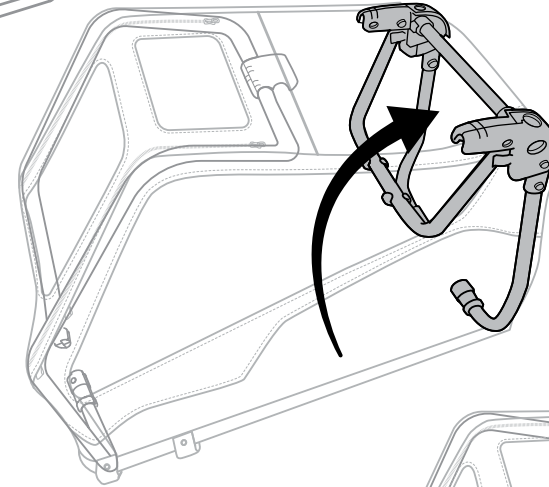


Abbildung 2

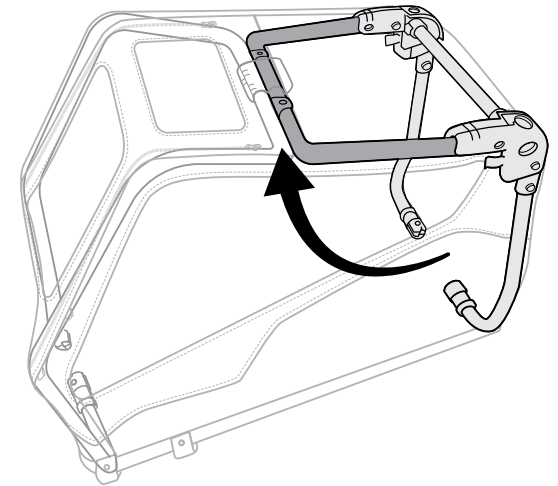


Abbildung 3

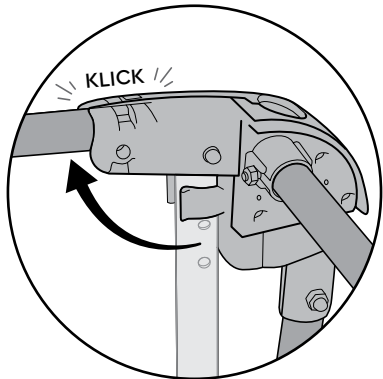


Abbildung 4

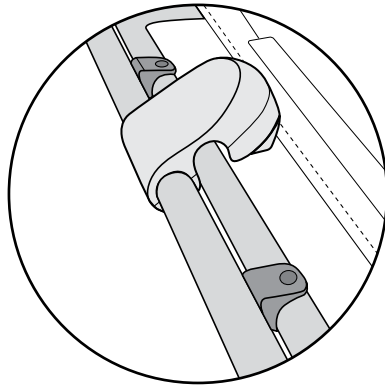


Abbildung 5

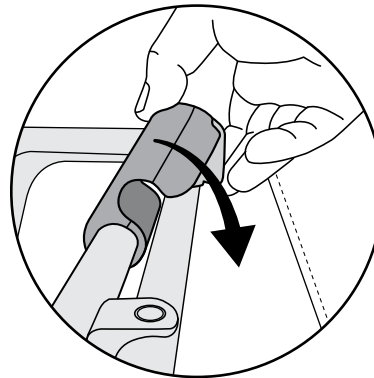


Abbildung 6

## ! WARNUNG

Beim Auf- und Zusammenklappen darauf achten, keine Finger einzuklemmen.



## Schließen des Anhängers

1. Alle Gegenstände vom Inneren und Äußeren des Anhängers, einschließlich Lenkstange entfernen (siehe S. 10).
2. Die Rahmenverriegelung lösen, dazu den gelben Schieber zurückziehen, um den Verriegelungsmechanismus zu lösen, und nach oben drehen (Abbildung 7).
3. Von der Rückseite des Anhängers auf den rechten und linken Rahmenknopf drücken (Abbildung 8) und gedrückt halten, dass das mittlere Rahmenelement nach unten drehen, bis es einrastet (Abbildung 9).
4. Den hinteren Rahmen nach unten klappen, dann den vorderen Rahmen (Bild 10).

HINWEIS: Wenn der Anhänger mit montierten Rädern zusammengeklappt wird, können die Netzfenster und der Textbezug des Anhängers beschädigt werden.

### **WARNUNG**

Bei Betätigung der Rahmenverriegelung darauf achten, Finger und Hände nicht einzuklemmen.

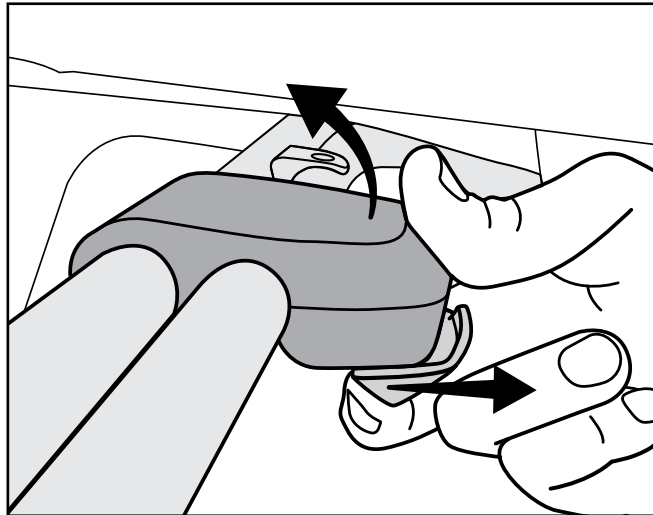


Abbildung 7

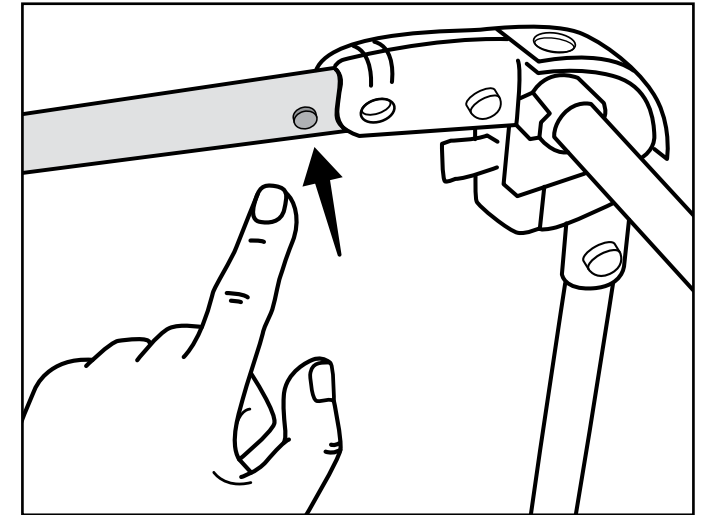


Abbildung 8

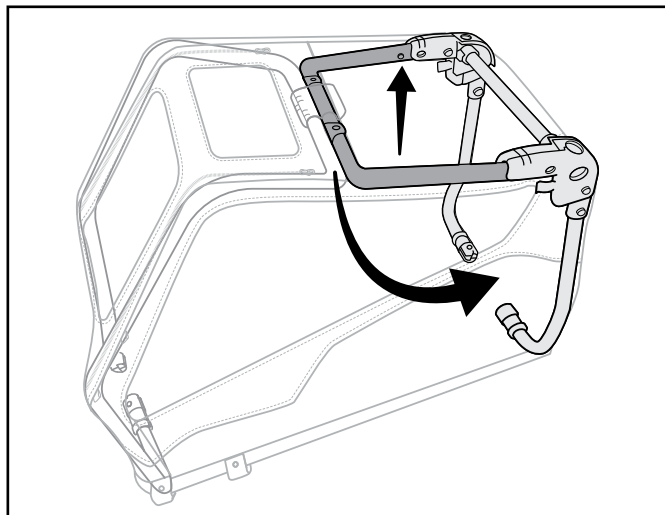


Abbildung 9

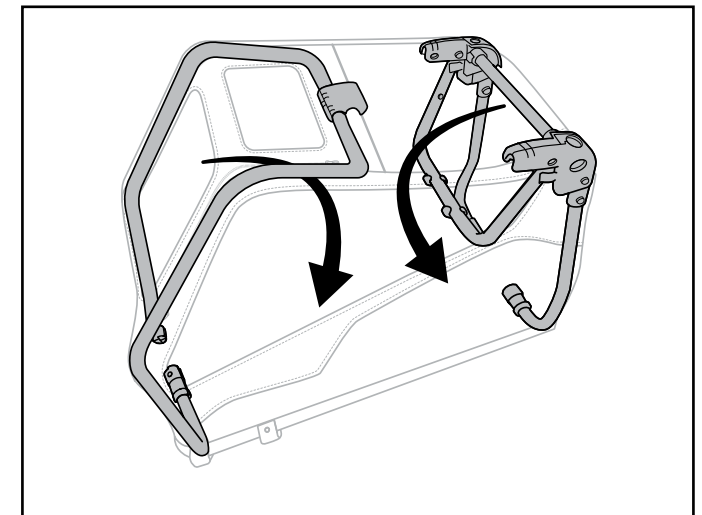


Abbildung 10

## Anbringen der Räder

1. Den Gummiknopf außen an der Radnabe eindrücken (Abbildung 11).
2. Radachse in Achshalterung einführen, dann den Knopf loslassen (Abbildung 12). Fest am Rad ziehen, um zu kontrollieren, dass die Achse ganz eingerastet ist.

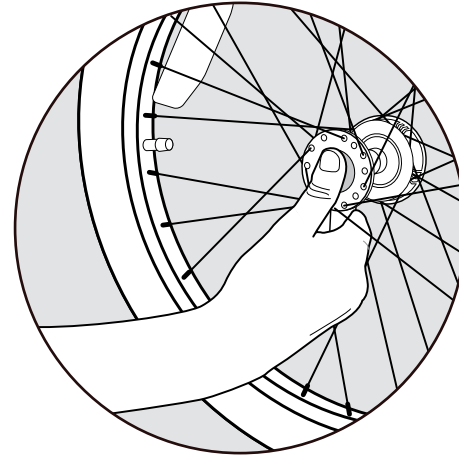


Abbildung 11

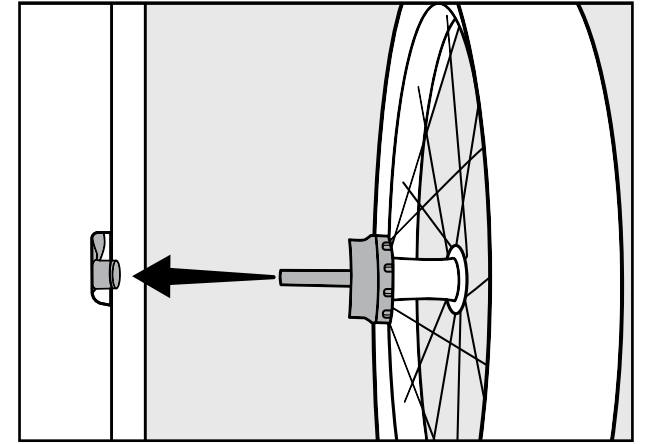


Abbildung 12

## Betätigen des Feststellbremshebels

1. Sicherstellen, dass der Anhänger ganz zum Stillstand gekommen ist.
2. Den roten Feststellbremshebel so drehen, dass er zur Vorderseite des Anhängers zeigt (Abbildung 13). Der Anhänger muss möglicherweise etwas nach vorne gedreht werden, damit die Bremse greift und der Hebel sich vollständig drehen lässt.
3. Der Anhänger muss möglicherweise etwas nach vorne gedreht werden, damit die Bremse greift und der Hebel sich vollständig drehen lässt. Zum Lösen der Feststellbremse den Hebel ganz umlegen, so dass er zum Heck des Anhängers zeigt.

### **WARNUNG**

Die Feststellbremse darf nur betätigt werden, wenn der Anhänger zum Stillstand gekommen ist. Die Betätigung der Feststellbremse während der Fahrt kann zu Schäden, Unfällen, schweren Verletzungen oder zum Tod führen.

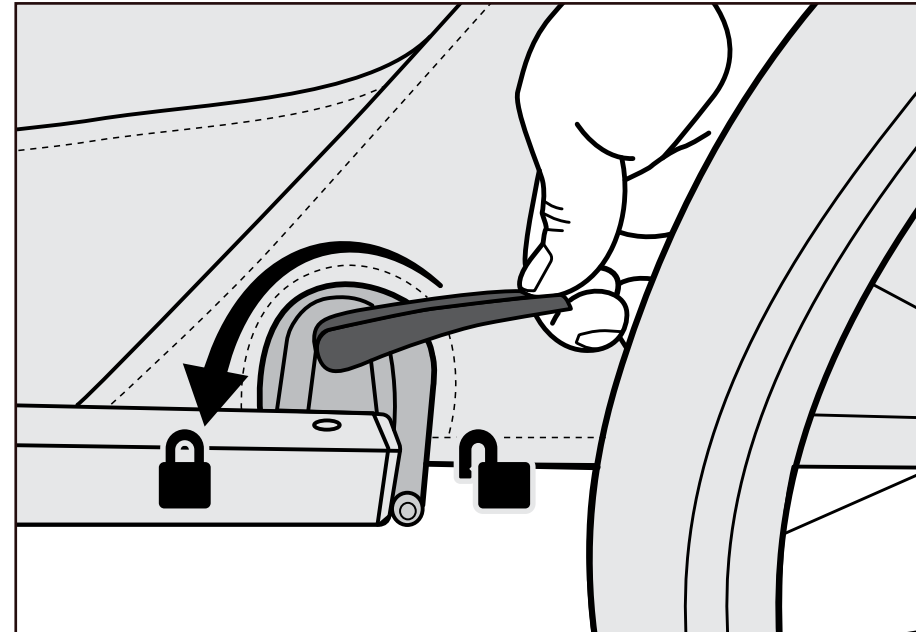
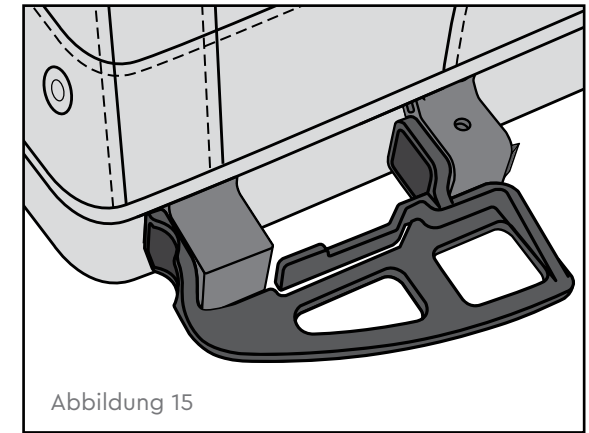
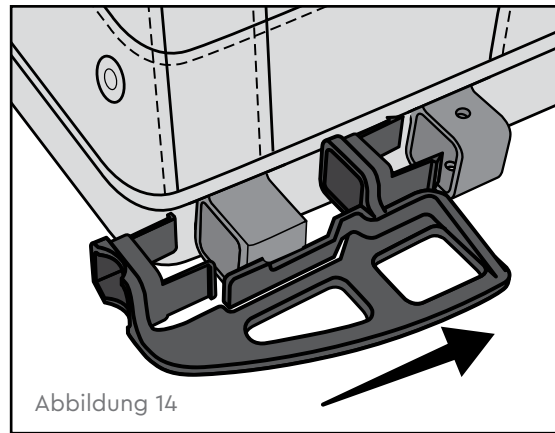


Abbildung 13

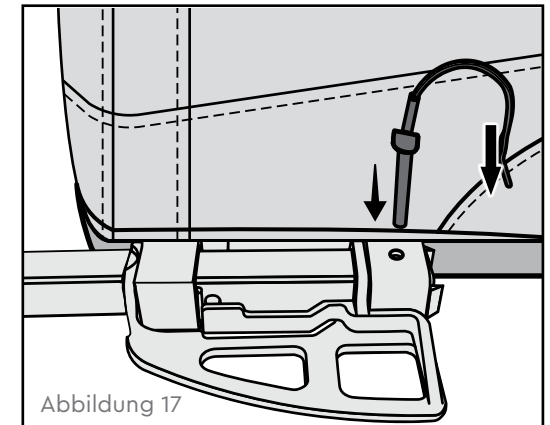
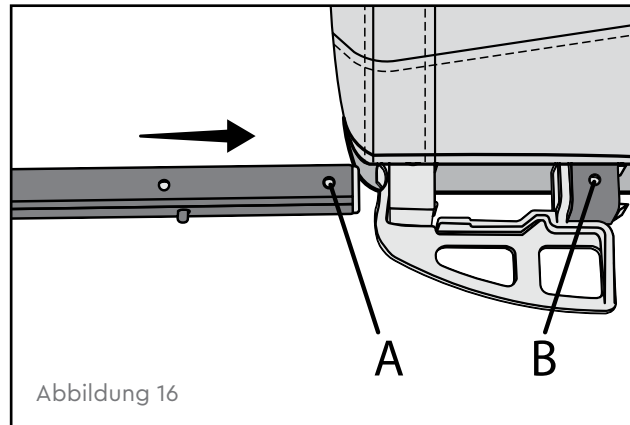
## Anbringen des Radschutzes

1. Den Radschutz wie abgebildet positionieren (Abbildung 14).
2. Den Radschutz in die Deichselaufnahme schieben, bis er einrastet (Bild 15). Die vorderen Laschen beim Einsetzen leicht nach innen biegen.
3. Diese Schritte auf der anderen Seite wiederholen.



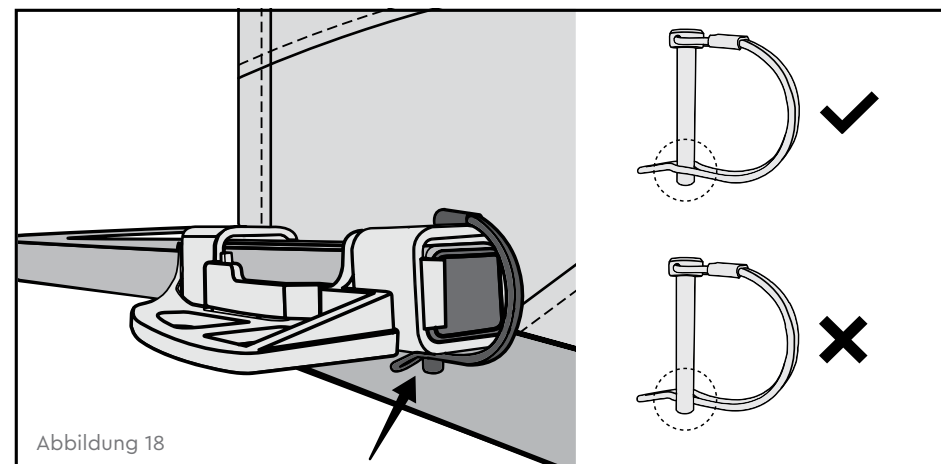
## Anbringen der Deichsel

1. Die Raste eindrücken und die Deichselaufnahme so weit schieben, dass Loch A auf Loch B ausgerichtet ist (Abbildung 16).
2. Den Haltestift von oben durch die ausgerichteten Löcher stecken (Abbildung 17).
3. Überprüfen, dass der Haltestift wie abgebildet eingerastet ist (Abbildung 18).



## Abnehmen der Deichsel

1. Den Haltestift herausziehen.
2. Auf die Lasche am Radschutz drücken, um die Raste zu lösen, und die Deichsel abnehmen.



## Umbau zum Buggy

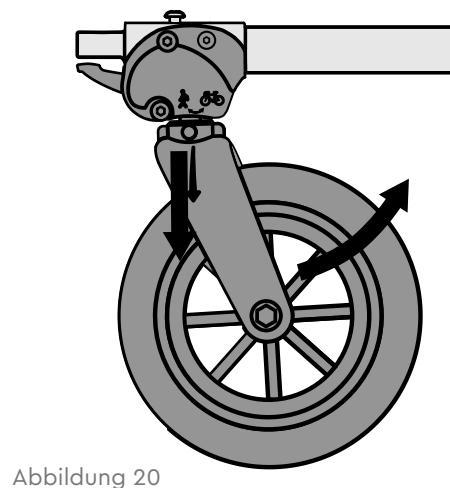
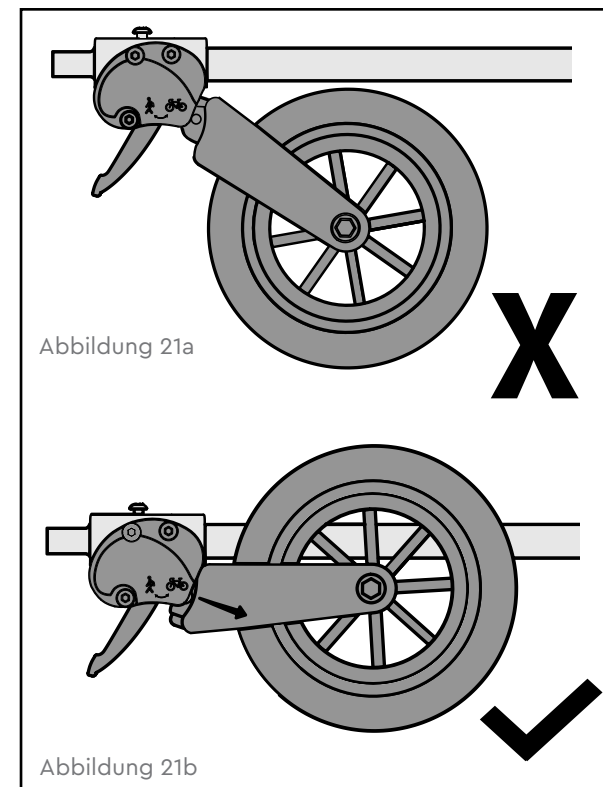
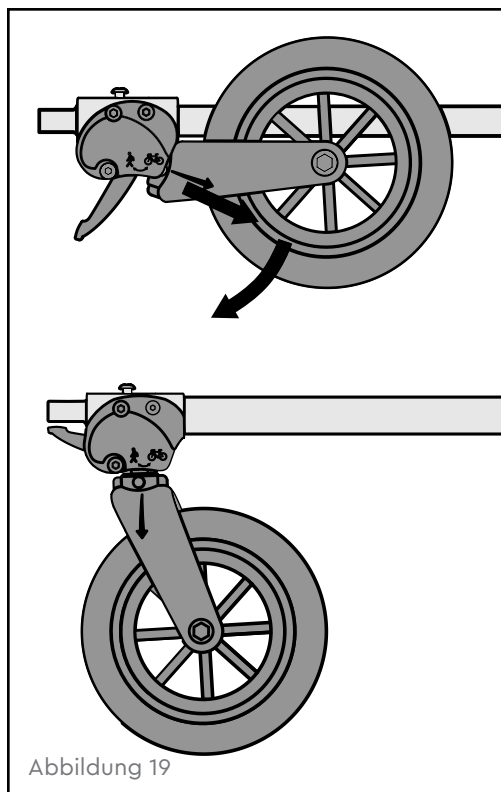
1. An der Gabel wie abgebildet ziehen (Abbildung 19) und das Rad dann ganz nach unten drehen. Die Gabel wird automatisch in der verriegelten Position gesichert.

## Umbau zum Anhänger

1. Die Gabel nach unten (Bild 20) ziehen und wie abgebildet in den Anhängermodus nach oben drehen. Die Gabel rastet automatisch in der Anhängerposition ein, wenn sie richtig positioniert ist (Abbildung 21b). Wenn der weiße Pfeil nicht auf der gleichen Seite wie die MODE-Grafik zu sehen ist, ist das Buggy-Rad nicht eingerastet (Abbildung 21a).

### WARNUNG

Das Buggy-Rad muss bei Verwendung als Anhänger immer hochgeklappt werden, bevor er hinter einem Fahrrad hergezogen wird. Wenn das Buggy-Rad des Kinderwagens vor dem Fahren nicht in die Anhängerposition gebracht wird, kann es zu einem Unfall mit schweren oder tödlichen Verletzungen kommen.



## Anbringen/Einstellen des Lenkers

1. Den Lenker in die Aufnahme einsetzen, die beiden gelben Knöpfe der Lenkeraufnahme eindrücken und den Lenker an den Knöpfen vorbei schieben. (Abbildung 22)
2. Die Knöpfe loslassen und den Lenker schieben, bis er einrastet. (Abbildung 22)
3. Der Lenker hat zwei Höheneinstellungen. Jede Lenkeraufnahmetaste drücken, um den Lenker in die gewünschte Einstellung zu bringen (Abbildung 22). Darauf achten, dass beide Seiten des Lenkers auf die gleiche Höhe eingestellt sind.
4. Vor der Benutzung den Lenkergriff nach unten drücken und dann leicht nach oben ziehen, um sicherzustellen, dass der Lenker eingerastet ist.
5. Zum Abnehmen des Lenkers drücken Sie beide Knöpfe und ziehen den Lenker ganz heraus.

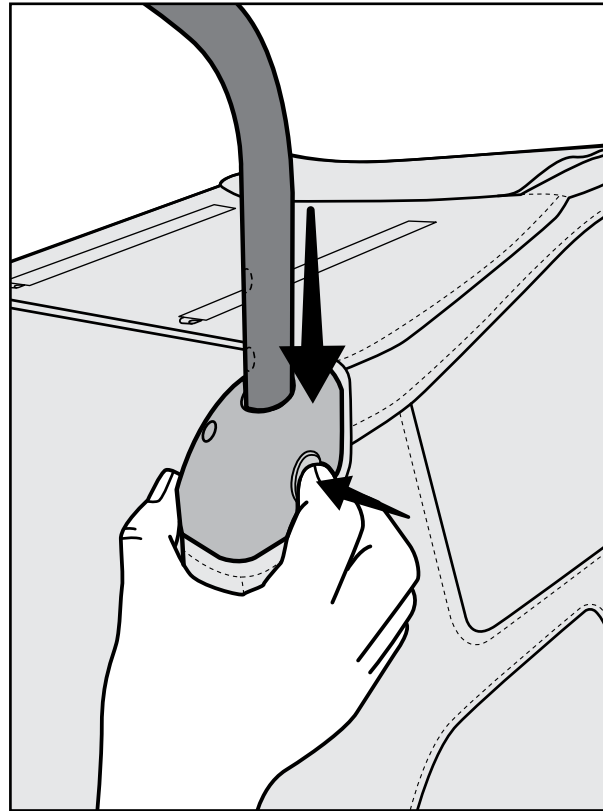


Abbildung 22

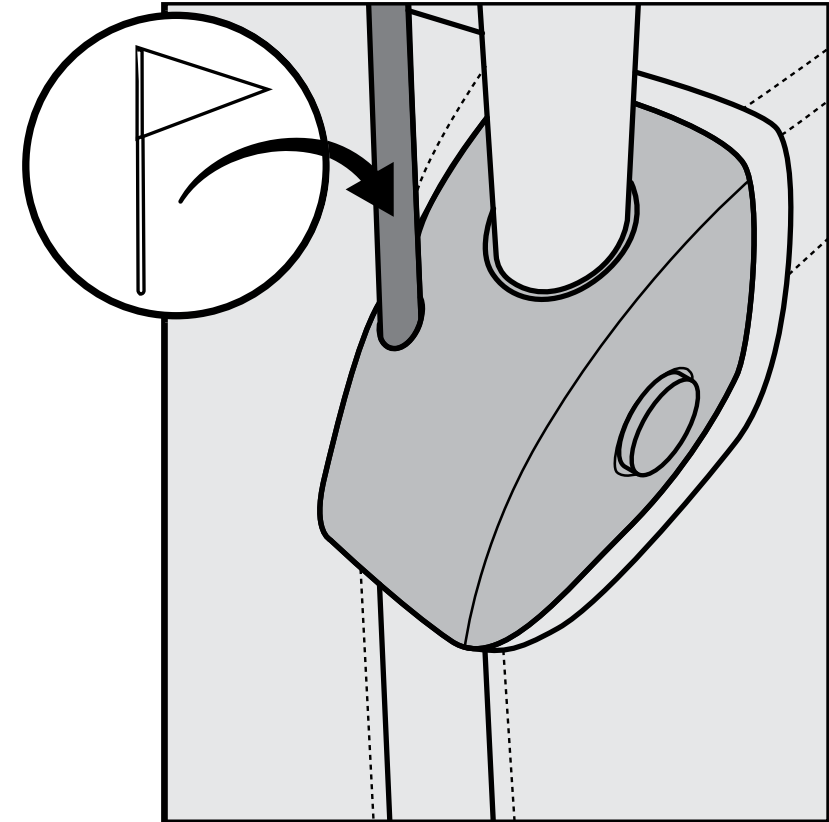


Abbildung 23

## Anbringen des Wimpels

1. Den Wimpel in den Wimpelhalter an einer der Lenkeraufnahmen einsetzen. Darauf achten, dass er ganz eingesetzt ist. (Abbildung 23)

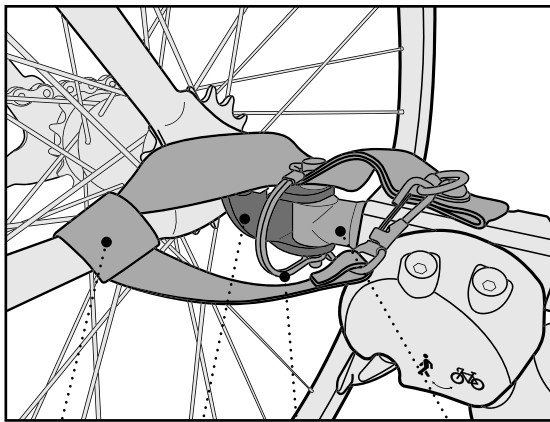
## Ankuppeln des Anhängers

1. **Achse mit Schnellspanner oder Mutter:** Den Schnellspanner oder die Mutter auf der linken Seite der Hinterachse am Fahrrad lösen. Die Anhängerkupplung zwischen Schnellspanner oder Mutter und Rahmen montieren (Abbildung 24). Den Schnellspanner oder die Mutter nach den Empfehlungen des Herstellers festziehen. Die Anhängerkupplung kann am Fahrrad bleiben, wenn der Anhänger abgenommen ist. Wenden Sie sich an [Burley.com](http://Burley.com), wenn Sie Zubehör für die Montage Ihres Anhängers an Ihr Fahrrad benötigen.

**Steckachse:** Wenden Sie sich an [Burley.com](http://Burley.com), um Informationen zur korrekten Montage an Ihr Fahrrad zu erhalten (Abbildung 25).

2. **Die Deichsel an der Kupplung einhaken:** Den Flex-Verbindungen so zwischen den beiden Laschen an der Kupplung (Abbildung 26) einsetzen, dass alle Löcher aufeinander ausgerichtet sind. Den Haltestift einsetzen und die Halterung schließen (Abbildung 27). Den Sicherheitsgurt zweimal um den Rahmen des Fahrrads wickeln und am D-Ring der Anhängerkupplung befestigen (Abbildung 28). Das Band und der Verschluss dürfen die Speichen nicht berühren.

3. **Die Deichsel von der Kupplung lösen:** Lösen Sie den Sicherheitsriemen vom D-Ring und wickeln Sie ihn vom Fahrradrahmen ab. Öffnen Sie die Arretierung des Halterungsstifts und ziehen Sie den Stift heraus. Entfernen Sie dann das flexible Verbindungstück von der Kupplung.



Sicherheitsriemen      Kupplung      Flexverbinder  
Haltestift

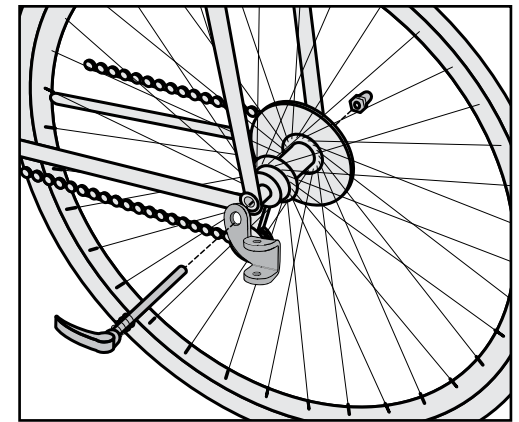


Abbildung 24



Abbildung 25

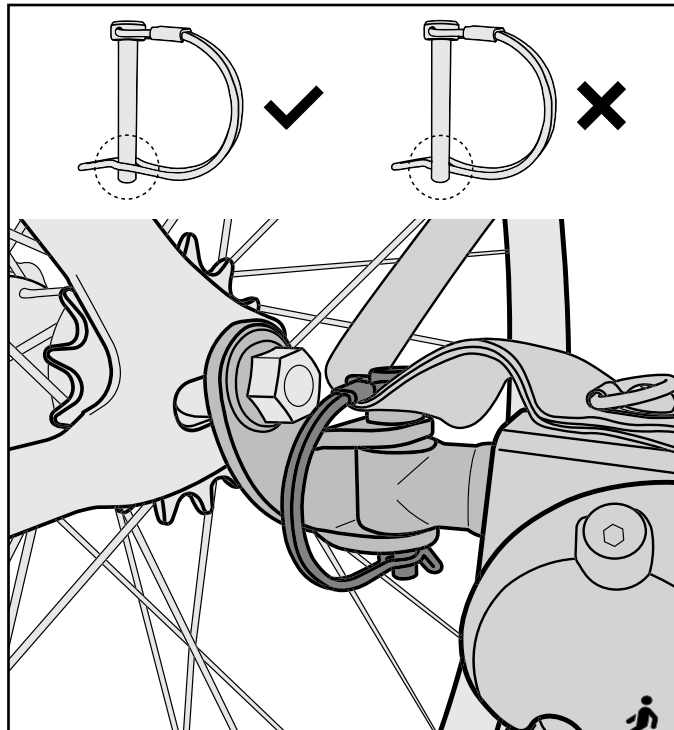


Abbildung 27

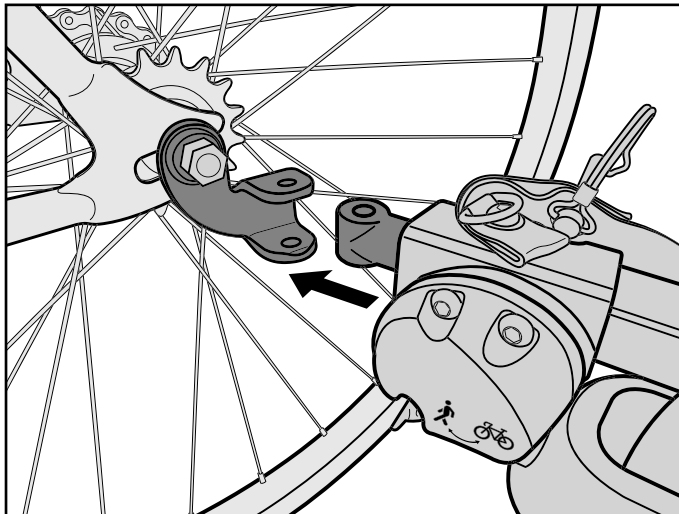


Abbildung 26

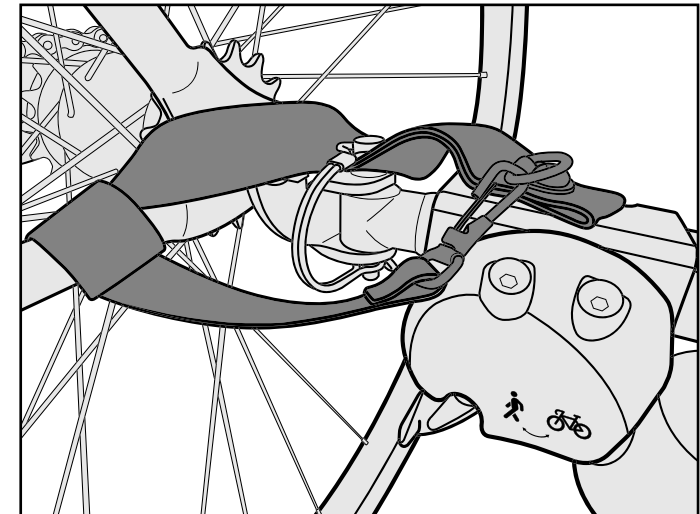


Abbildung 28



## Sichern der Abdeckung

1. Das vordere Netzfenster kann von der Vorderseite des Anhängers aus geöffnet werden. Das Fenster kann aufgerollt und befestigt werden, indem die Türhaken an der Stelle ② in die reflektierenden Schlaufen eingesetzt werden (Abbildung 29).
2. Für mehr Sicherheit des Tieres während der Fahrt kann das vordere Netzfenster geöffnet und vom Dach des Anhängers gerollt werden. Das Fenster befestigen, dazu die Türhaken in die reflektierenden Schlaufen an Position ① einsetzen (Abbildung 30).
3. Die Abdeckung der Hecktür kann aufgerollt und gesichert werden, indem die Aufhängehaken an der Stelle ③ in die reflektierenden Schlaufen eingesetzt werden (Abbildung 31).
4. Das Netzfenster der Hecktür kann aufgerollt und gesichert werden, indem die Aufhängehaken an der Stelle ③ in die reflektierenden Schlaufen eingesetzt werden (Abbildung 32).

HINWEIS: Stellen Sie sicher, dass die Türen sicher geschlossen sind, bevor Sie den Anhänger im Fahrrad- oder Buggy-Modus verwenden.

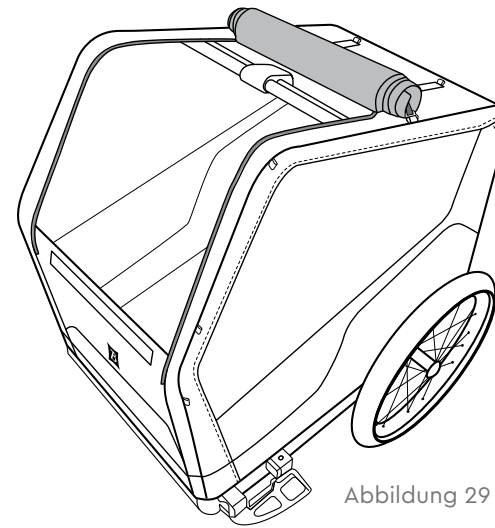


Abbildung 29

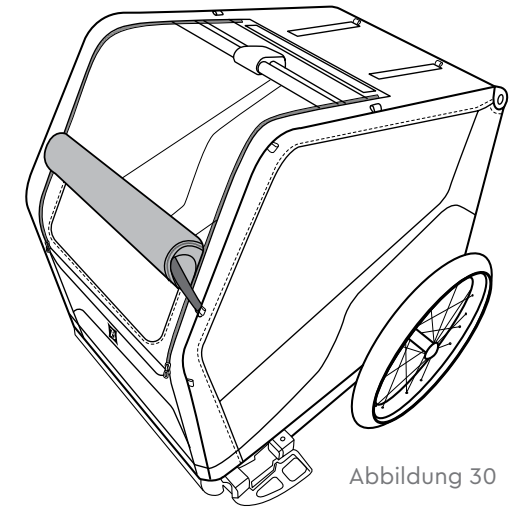
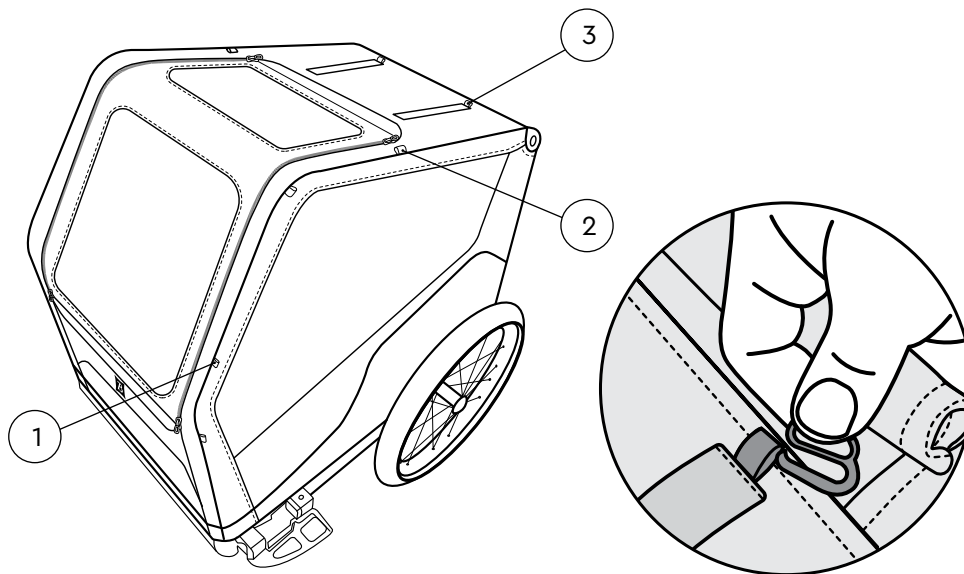


Abbildung 30



Positionen der Reflektorschleifen

Haken und Schlaufe - Detail

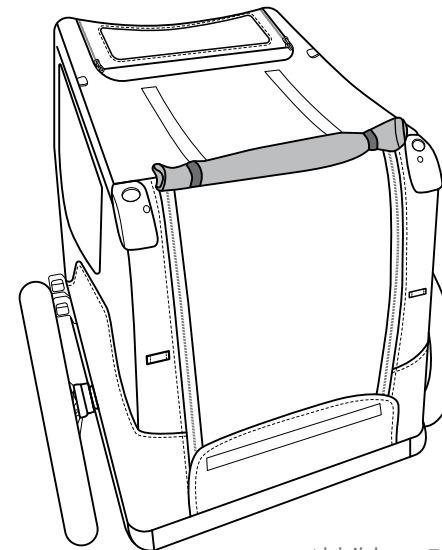


Abbildung 31

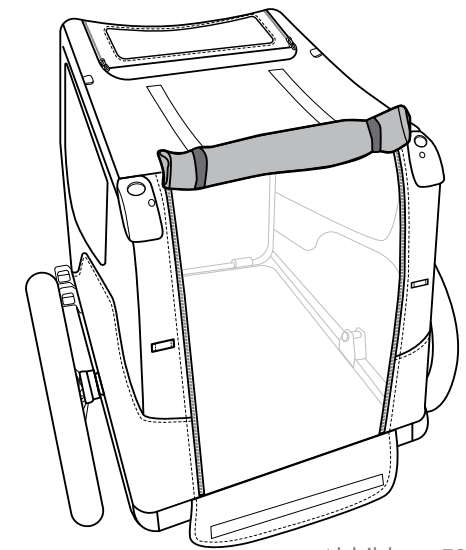


Abbildung 32



## Ausbauen/Reinigen der Bodenplatte

1. Von der Rückseite des Anhängers aus die Unterseite der Bodenplatte an beiden Ecken nach oben in Richtung Innenseite des Anhängers drücken, bis sie an der Kunststoffhalterung einrastet.
2. Die Bodenplatte nach oben drehen und zur Rückseite des Anhängers schieben.
3. Herausnehmen und Stoffteile mit warmem Wasser waschen, dem eine milde Seife oder ein schonendes Waschmittel zugesetzt ist. Verwenden Sie KEINE Bleich- oder Lösungsmittel.
4. Zum Wiedereinbau die Vorderseite unter die vorderen Rahmenrohre schieben und nach unten drehen.
5. Die Bodenplatte fest nach unten drücken und sicherstellen, dass alle Schnappverschlüsse an der Bodenplatte eingerastet sind.

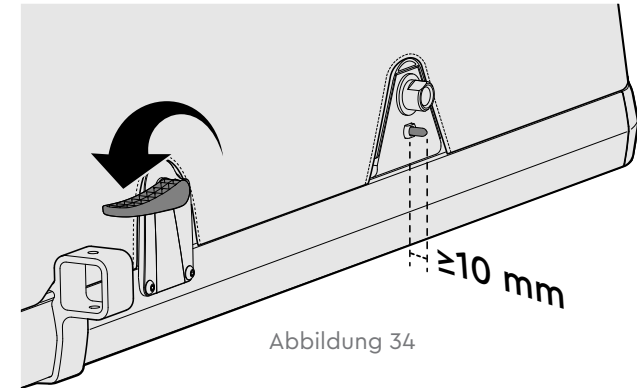
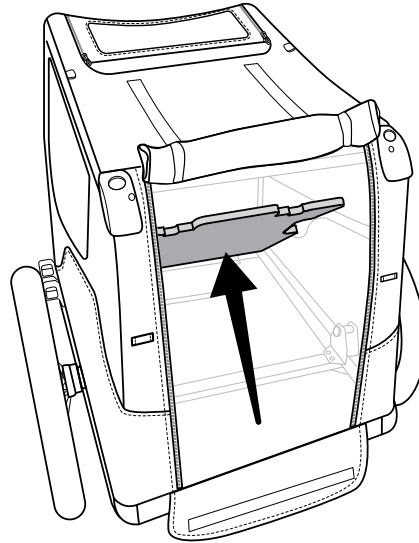


Abbildung 34

## Einstellen der Bremse

1. Die Räder abbauen und den Bremshebel betätigen (Abb. 14).
2. Die Bremsstifte sollten mindestens 10 mm vorstehen (Abb. 34). Wenn sie weniger als 10 mm vorstehen, müssen sie nachgestellt werden, um eine richtige Bremsfunktion zu gewährleisten.
3. So stellen Sie das Vorstehen der Bremsstange ein:
  - a. Bodenplatte entfernen.
  - b. Die Bremszugklappe an der Bremshebelseite des Anhängers anheben (Abb. 35).
  - c. Zum Einstellen des Bremszugs den entsprechenden Zugeinsteller gegen den Uhrzeigersinn drehen, sodass der Bremszug fester angezogen wird (Abb. 36). Am linken Versteller für die rechte Bremse und am rechten Versteller für die linke Bremse drehen.
  - d. Den Versteller drehen, bis der Stift mindestens 10 mm vorsteht.
  - e. Zum Sichern des Feststellers die Mutter mit einem 8-mm-Schlüssel gegen das Kunststoffgehäuse festziehen (Abb. 37).
4. Die Bremse lösen und betätigen, um ihre ordnungsgemäße Funktion zu überprüfen.
5. Die Bremszugklappe nach unten bewegen und die Bodenplatte wieder einsetzen.

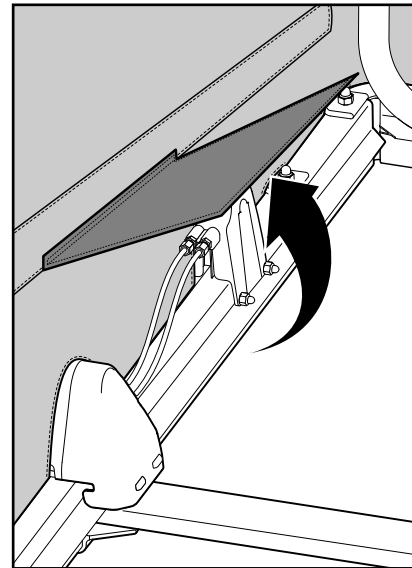


Abbildung 35

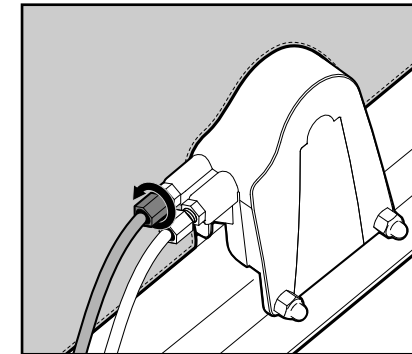


Abbildung 36

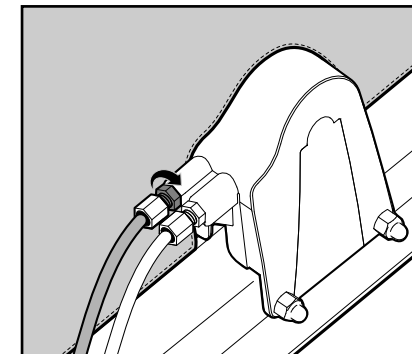
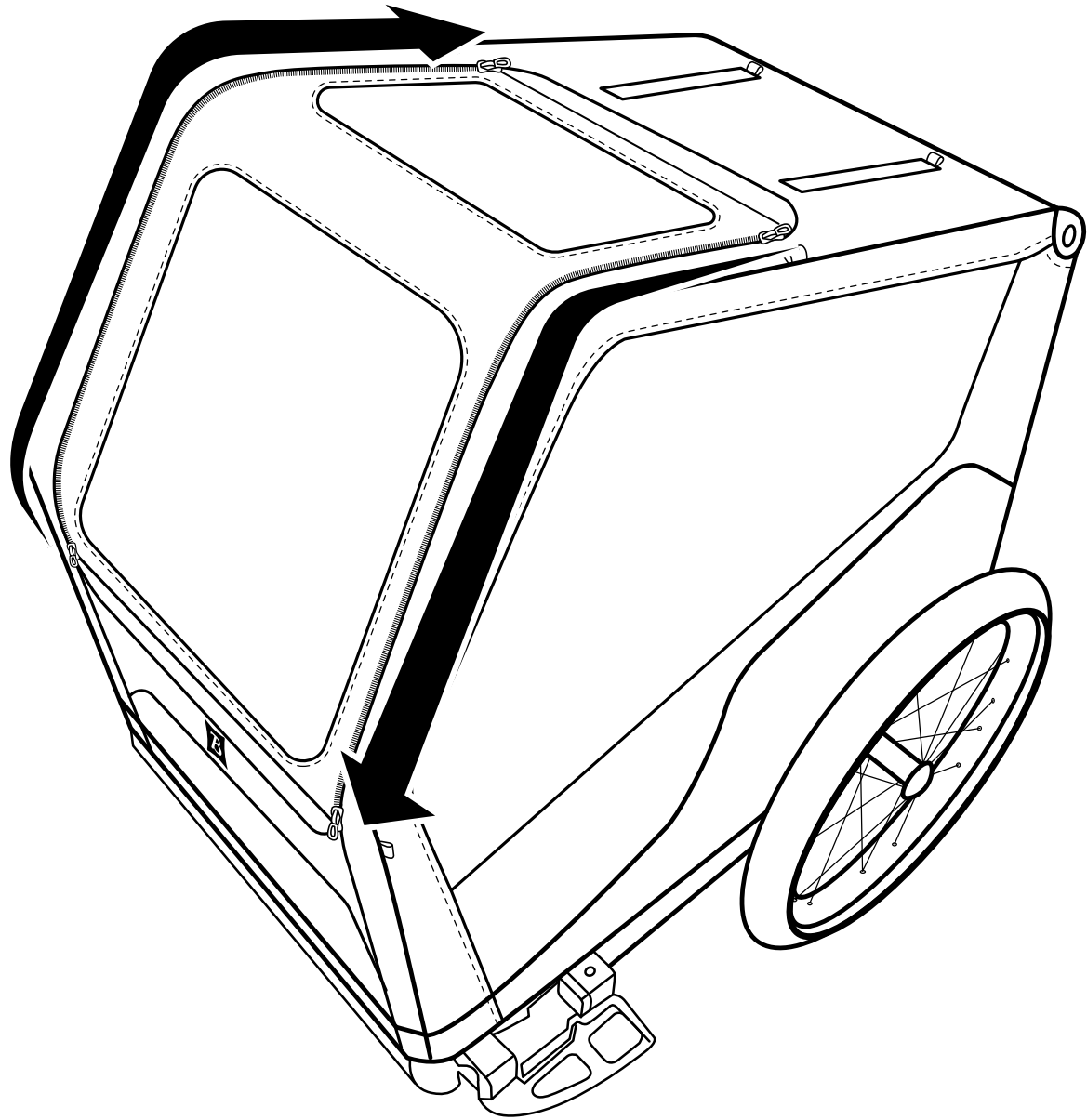


Abbildung 37

## Ausbau des vorderen Fensters

1. Das vordere Fenster kann zum Austausch oder zur Reparatur ausgebaut werden.
2. Den rechten Reißverschluss bis OBEN am Fenster öffnen und die Schieber vom Anhänger entfernen (Abb. 39).
3. Den linken Reißverschluss bis UNTEN am Fenster öffnen und die Reißverschlusschieber vom Anhänger entfernen (Abb. 39).
4. Um das Fenster wieder anzubringen, den rechten Reißverschluss OBEN am Fenster und den linken Reißverschluss UNTEN am Fenster befestigen.



## Vor dem Fahren:

### Kontrollieren Sie vor jedem Gebrauch:

1. Die Räder sind sicher am Anhänger befestigt.
2. Die Reifen sind auf den an der Reifenflanke empfohlenen Druck aufgepumpt.
3. Die Deichsel ist sicher am Anhänger befestigt.
4. Die Kupplung ist sicher am Fahrrad befestigt.
5. Haltebügel der Sperrstifte an Kupplung und Deichsel halten sicher
6. Der Sicherheitsgurt an der Kupplung ist ordnungsgemäß angebracht.
7. Das Gewicht der Deichsel an der Kupplung beträgt bei voll beladenem Anhänger mindestens 1 kg und höchstens 9 kg.
8. Das Fahrrad ist in einem einwandfreien Zustand, vor allem die Bremsen und Reifen (siehe die Anleitung des Fahrradherstellers).
9. Der Sicherheitswimpel ist angebracht
10. Die Beleuchtung ist den Fahrbedingungen angemessen
11. Vor der Fahrt kontrollieren, ob die Feststellbremse gelöst ist.
12. Die Abdeckung ist angebracht und geschlossen.
13. Die Last überschreitet nicht:
  - Bark Ranger: 34 kg
  - Bark Ranger XL: 45 kg

### Kontrollieren Sie monatlich:

- Prüfen Sie die Deichsel, die Kupplung, den Rahmen, den Flexverbinder und die Eisenwarenteile auf Schäden.
- Flexverbinder müssen alle 3 bis 5 Jahre ausgetauscht werden, um die Sicherheit zu gewährleisten.
- Prüfen Sie, ob Schrauben fest angezogen sind.
- Reifen und Rad auf Schlag, Verschleiß und Risse prüfen.
- Stoffteile auf Risse, Abrieb und fehlende oder beschädigte Befestigungsteile prüfen.

Wenden Sie sich für den Austausch beschädigter oder abgenutzter Teile an Ihren autorisierten Burley-Fachhändler.

Halten Sie immer die örtlichen Vorschriften für die maximale Anhängelast ein.

## Wartung Ihres Burley

### Aufbewahrung:

Bewahren Sie den Anhänger für eine längere Produktlebensdauer in einem geschlossenen Raum auf. Der Anhänger sollte nicht bei Temperaturen unter -23 °C oder über 65 °C aufbewahrt werden.

Wenn der Anhänger in einer Umgebung mit starken Salznebeln (Strand oder gesalzene Straßen) verwendet wird, wird dringend empfohlen, den Anhänger nach dem Gebrauch vor dem Einlagern mit Wasser abzuspritzen.

### Pflege des Stoffs:

Waschen Sie Stoffteile mit warmem Wasser, dem eine milde Seife oder ein schonendes Waschmittel zugesetzt ist. Verwenden Sie KEINE Bleich- oder Lösungsmittel. Abtrocknen und vor direkter Sonneneinstrahlung geschützt an einem trockenen, gut belüfteten Ort aufbewahren.

## Eingeschränkte Garantie von Burley:

Für diesen Burley-Anhänger gilt eine Garantie auf Material- und Fertigungsfehlern ab Kaufdatum wie folgt: ein Jahr für Teile aus Textilgewebe, fünf Jahre auf Rahmen und Kunststoffteile. Ihr datierter Original-Kauf- oder -Lieferbeleg mit Kaufdatum dient als Ihr Kaufnachweis.

Wenn während der eingeschränkten Garantiezeit ein Material- oder Fertigungsfehler entdeckt wird, werden wir nach eigenem Ermessen Ihr Produkt kostenlos reparieren oder es ersetzen. Diese Garantie gilt nur in dem Land in dem das Produkt gekauft wurde.

Die eingeschränkte Garantie bezieht sich ausschließlich auf den Originalkäufer dieses Produkts und kann nicht auf eine Person übertragen werden, die das Produkt von dem Originalkäufer ersteht.

Die eingeschränkte Garantie deckt keine Schäden aufgrund eines unsachgemäßen Gebrauchs, einer Nichteinhaltung der Anweisungen, der Installation, einer unsachgemäßen Wartung oder eines falschen Einsatzes, eines Missbrauchs, Modifikationen, einer Verwicklung in einen Unfall sowie normale Abnutzungs- und Verschleißerscheinungen. Die eingeschränkte Garantie deckt keine Produkte, die im Verleih eingesetzt werden und Burley haftet nicht für zufällige oder kommerzielle Schäden im Zusammenhang mit einer derartigen Nutzung.

DIESE BESCHRÄNKTE GARANTIE GILT IM GRÖSSTMÖGLICHEN GESETZLICH ZULÄSSIGEN UMFANG AUSSCHLIESSLICH UND ANSTELLE JEDER ANDEREN SCHRIFTLICHEN ODER MÜNDLICHEN GARANTIE, EINSCHLIESSLICH, ABER NICHT BESCHRÄNKT AUF EINE AUSDRÜCKLICHE ODER STILLSCHWEIGENDE GARANTIE DER MARKTGÄNGIGKEIT ODER DER EIGNUNG FÜR EINEN BESTIMMTEN ZWECK. Die Dauer aller stillschweigenden Garantien, einschließlich jeder stillschweigenden Garantie der Marktgängigkeit oder der Eignung für einen bestimmten Zweck, die während der ausdrücklichen Garantiezeit bestehen kann, ist ausdrücklich auf die begrenzte Garantiezeit beschränkt.

In manchen Ländern ist eine Begrenzung der Dauer einer stillschweigenden eingeschränkten Garantie nicht zulässig; daher gelten die oben genannten Einschränkungen und Ausschlüsse möglicherweise für Sie nicht.

DER AUSSCHLIESSLICHE RECHTSBEHELF DES KUNDEN BEI VERLETZUNG DIESER BESCHRÄNKTEN GARANTIE ODER EINER STILLSCHWEIGENDEN GARANTIE ODER EINER ANDEREN VERPFLICHTUNG, DIE KRAFT GESETZ ODER ANDERWEITIG ENTSTANDEN IST, BESCHRÄNKT SICH WIE HIER ANGEGEBEN AUF REPARATUR ODER ERSATZ, NACH UNSEREM ALLEINIGEN ERMESSEN. IN JEDEM FALL WIRD DIE HAFTUNG FÜR BESONDERE, BEILÄUFIGE UND FOLGESCHÄDEN AUSDRÜCKLICH AUSGESCHLOSSEN.

In manchen Ländern ist der Ausschluss oder die Einschränkung von Neben- oder Folgeschäden nicht zulässig, so dass die oben genannte Einschränkung des Ausschlusses möglicherweise nicht auf Sie zutrifft.

Die Garantie auf unsere Waren kann nach dem australischen Verbraucherschutzgesetz nicht ausgeschlossen werden. Sie haben Anspruch auf Ersatz oder Rückerstattung bei einem schwerwiegenden Fehler und auf Entschädigung für jeden anderen begründet vorhersehbaren Verlust oder Schaden. Sie sind auch berechtigt, die Waren reparieren oder ersetzen zu lassen, wenn die Qualität der Waren nicht annehmbar ist und der Fehler keinen wesentlichen Fehler darstellt.

Diese eingeschränkte Garantie gibt Ihnen bestimmte Rechte. Unter Umständen haben Sie weitere Rechte, die von Land zu Land unterschiedlich sein können.

Für Informationen über Garantieleistungen oder Ersatzteile für die USA oder Kanada wenden Sie sich bitte direkt an Burley unter Telefon 800-311-5294 oder per E-Mail an [burley@burley.com](mailto:burley@burley.com). Für Garantieleistungen oder Informationen zu Ersatzteilen außerhalb der USA und Kanadas wenden Sie sich bitte an den Verkäufer des Produkts. Bitte geben Sie das Produktmodell, die Seriennummer und eine Beschreibung des Garantiefalls an.

Bestimmte Ersatzteile sind möglicherweise auch nach Ablauf dieser beschränkten Garantie noch erhältlich. Für weitere Informationen besuchen Sie uns bitte unter [www.burley.com](http://www.burley.com) oder rufen Sie uns unter 541-687-1644 an.



## AVERTISSEMENT

Le non-respect des instructions et avertissements de ce manuel peut entraîner des blessures graves, voire la mort du passager ou du cycliste.

- Ne laissez jamais votre animal sans surveillance.
  - NE METTEZ PAS en laisse ni attachez votre animal à une partie quelconque de la remorque.
  - Avant utilisation, vérifiez que tous les dispositifs de verrouillage sont bien engagés.
  - Afin d'éviter les blessures, éloignez votre animal lorsque vous pliez et dépliez ce produit.
  - Ce produit N'EST PAS destiné à être utilisé par des enfants. Ce produit n'est pas un jouet.
  - Assurez-vous que l'animal ne peut pas entrer en contact avec les rayons des roues ou toute autre partie mobile.
  - Soyez conscient des risques d'exposition des occupants moins actifs de la remorque, comme le refroidissement éolien ou le coup de chaleur, soit par une exposition prolongée à des températures plus froides, soit par des périodes d'exposition prolongées à des températures plus chaudes sans ventilation ou hydratation adéquates.
  - Les articles placés sur le dessus du produit peuvent rendre celui-ci instable. Des conditions dangereuses peuvent se produire si des accessoires non approuvés sont ajoutés à ce produit. Respectez les directives de Burley en matière de chargement lorsque vous ajoutez des accessoires approuvés par Burley.
  - Toute charge fixée sur la poignée ou sur les côtés du véhicule affecte la stabilité de celui-ci.
  - Ce produit n'est pas prévu pour courir ou patiner.
  - NE TIREZ PAS la remorque avec un véhicule motorisé ou électrique (les bicyclettes électriques approuvées sont acceptées).
  - N'UTILISEZ PAS la remorque si le chargement total dépasse le poids maximum autorisé. Le produit peut devenir instable en cas de dépassement de la charge recommandée.
  - NE MODIFIEZ PAS le produit.
  - NE GONFLEZ PAS TROP les pneus. Le non-respect de la pression nominale indiquée sur le flanc des pneus peut entraîner l'explosion de ces derniers et d'éventuelles blessures.
  - À pieds, n'empruntez que les chemins prévus pour la marche. N'utilisez pas la remorque sur des routes trop pentues, au risque de déstabiliser le dispositif. Vous devez être capable de maintenir la traction et le contrôle à tout moment.
  - NE MANŒUVREZ PAS au-dessus de marches ou près d'obstacles quand votre animal est installé.
  - Utilisez uniquement des accessoires homologués Burley. Lorsque vous arrimez un accessoire à votre remorque, veillez à suivre l'ensemble des avertissements et instructions inclus dans ce kit d'accessoires.
- Remarque : les références « gauche » et « droite » partent du principe que l'utilisateur se tient à l'arrière de la remorque et regarde vers l'avant de celle-ci.



## AVERTISSEMENT

À n'utiliser qu'avec un accessoire homologué Burley. Si vous arrimez un accessoire à votre remorque, veillez à suivre l'ensemble des avertissements et instructions inclus dans ce kit d'accessoires.

### Utilisation en guise de remorque de vélo :

- Nous vous recommandons de faire contrôler la sécurité de votre vélo par un mécanicien qualifié avant d'y arrimer la remorque.
- Avant chaque utilisation, assurez-vous que la remorque n'interfère pas avec les freins, les pédales et la direction du vélo.
- Respectez toujours la réglementation locale lorsque vous utilisez la remorque sur la voie publique.
- Ne faites jamais du vélo de nuit sans l'éclairage nécessaire.
- Respectez la réglementation locale en matière d'éclairage.
- Les réflecteurs rouges fournis avec la remorque doivent constamment rester montés et visibles à l'arrière de la remorque.
- Si vous devez vous arrêter pour quelque raison que ce soit, comme pour surveiller votre animal, effectuer des réglages ou regonfler un pneu, sortez complètement de la route.
- Lorsque vous utilisez la remorque, votre vélo est plus lourd et plus long. Le temps nécessaire pour freiner, ralentir, s'arrêter et démarrer est plus long, en particulier dans les descentes. La place requise pour tourner, ainsi que l'encombrement, sont également modifiés.
- Testez votre vélo avec la remorque chargée dans une zone peu fréquentée jusqu'à vous familiariser au comportement de votre vélo tractant une remorque.
- Évitez les cailloux, les virages, les freinages brusques et les embardées. Évitez de franchir des obstacles avec une seule roue, car cela pourrait faire basculer la remorque.
- Usez de votre bon jugement afin de savoir si les conditions climatiques, la route ou le trafic permettent d'utiliser votre remorque Burley en toute sécurité. Il est recommandé d'utiliser cette remorque Burley dans une plage de températures allant de -7°C à 38°C (20°F à 100°F).
- Veillez à ce que la fermeture éclair des fenêtres à filet soit toujours correctement fermée afin de protéger votre animal des débris volants.
- Le conducteur doit avoir au moins 16 ans.
- La loi peut soumettre les remorques tirées par un cycle à assistance électrique (EPAC).
- Vitesses limites recommandées :
  - 24 km/h (15 mph) sur les routes droites et plates ;
  - 8 km/h (5 mph) dans les virages et sur les routes accidentées.
- Le poids de la remorque doit être correctement réparti afin de permettre une utilisation sûre. La force exercée vers le bas à l'extrémité de l'attelage, au point d'intersection avec le vélo, doit être comprise entre 1 et 9 kg (2 lb et 20 lb). Pour mesurer cela, chargez votre remorque et placez-la à côté d'un pèse-personne. Montez sur le pèse-personne et notez votre poids. Une fois sur la balance, soulevez l'extrémité de la barre de remorquage à 30 cm (1 pied) du sol et notez à nouveau le poids. La différence de poids correspond à la force exercée vers le bas sur la barre de remorquage. Si le poids est trop faible, la roue arrière du vélo risque de perdre de la traction. S'il est trop élevé, l'attelage risque d'être surchargé.

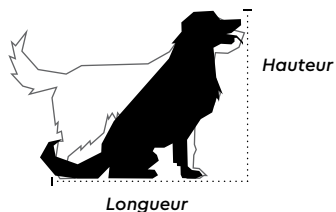


## AVERTISSEMENT

Lorsque votre animal se déplacera dans la remorque, il déplacera également la charge sur la barre de remorquage de la remorque et la transférera directement sur le vélo. Il faut donc s'y attendre et se préparer à l'apparition d'une poussée ou d'une traction accrue sur votre vélo.

## Capacités maximales

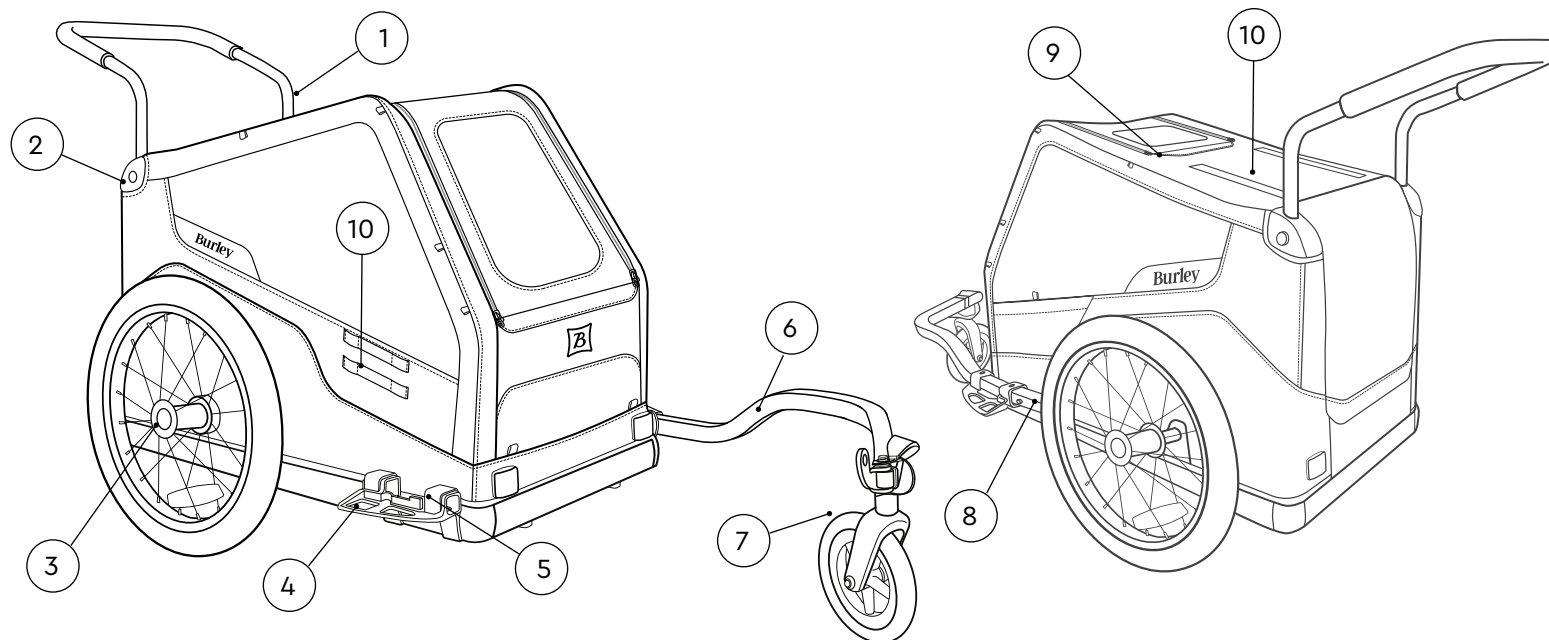
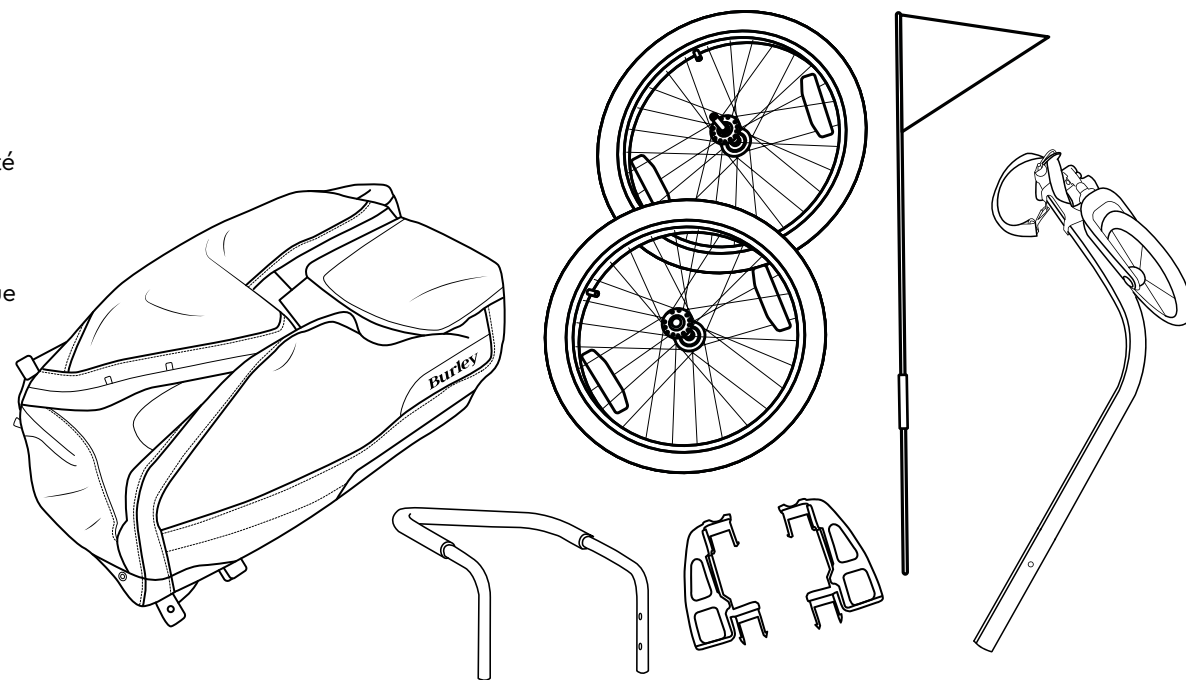
- Poids maximal de l'animal et du chargement :  
Bark Ranger : 34 kg (75 lb), animal + chargement  
Bark Ranger XL : 45 kg (100 lb), animal + chargement
- Hauteur maximale de l'animal debout :  
Bark Ranger : 63,5 cm (25 in)  
Bark Ranger XL : 86 cm (34 in)
- Longueur maximale de l'animal debout :  
Bark Ranger : 73 cm (29 in)  
Bark Ranger XL : 83 cm (33 in)



Respectez toujours la réglementation locale pour le poids maximum de la remorque.

## Contenu de la boîte :

- 1 remorque
- 1 drapeau de sécurité
- 2 roues
- 1 barre de remorquage / kit poussette mono-roue et attelage
- 2 garde-roues
- 1 guidon



## Guide des remorques Burley :

1. Guidon
2. Libération du guidon par bouton presseur
3. Roues à bouton presseur
4. Garde-roues
5. Récepteur
6. Bras de remorquage
7. Kit poussette mono-roue / Attelage
8. Levier de frein de stationnement
9. Loquet de cadre (sous la capote)
10. Boucles de fixation d'accessoires



# Assemblage de votre remorque

1. Faites pivoter le tube de cadre avant vers l'avant de la remorque (Figure 1).
2. Faites pivoter le tube de cadre arrière vers l'arrière de la remorque (Figure 2).
3. Dépliez le tube de cadre central vers le haut (Figure 3) jusqu'à ce que les boutons de cadre s'enclenchent (Figure 4).
4. Alignez le cadre avant avec le cadre central de telle sorte que le tube de cadre avant repose sur les appuis en plastique de couleur noire (Figure 5).
5. Fixez le cadre de la remorque en faisant pivoter le loquet du cadre vers le bas jusqu'à ce qu'il s'enclenche (Figure 6). Tirez légèrement le cadre vers le haut afin de vous assurer que le loquet du cadre est correctement engagé.

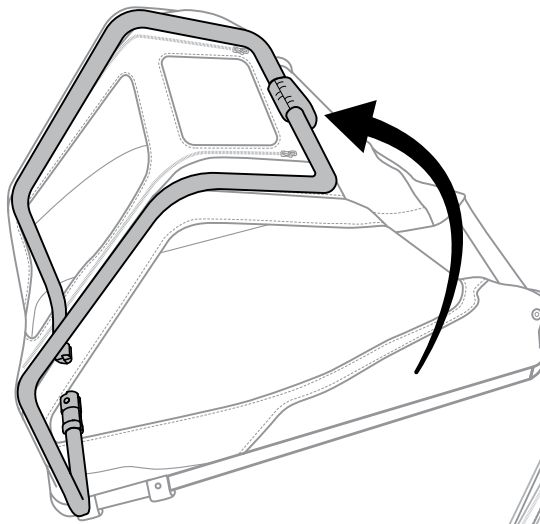


Figure 1

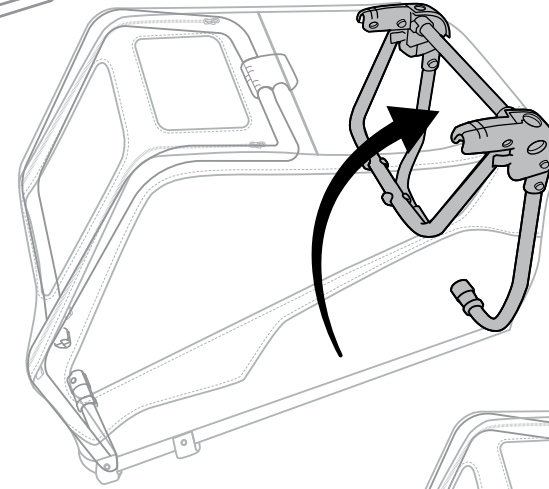


Figure 2

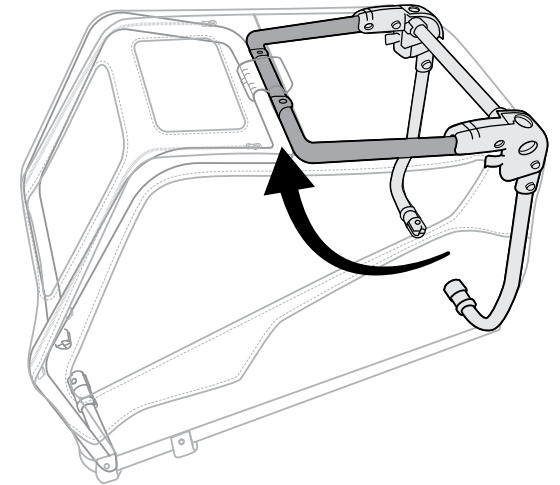


Figure 3

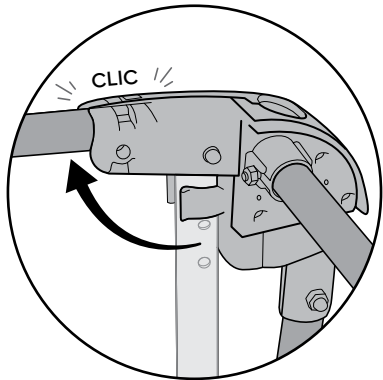


Figure 4

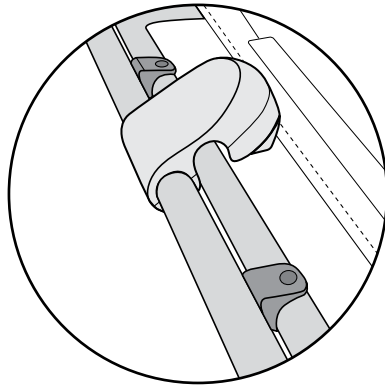


Figure 5

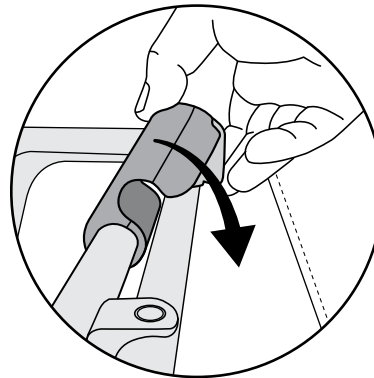


Figure 6

## AVERTISSEMENT

Faites attention lorsque vous pliez et dépliez la remorque pour éviter de vous coincer les doigts.

## Fermeture de la remorque

1. Retirez tout le contenu de l'intérieur et de l'extérieur de la remorque, y compris le guidon (voir la page 10).
2. Libérez le loquet du cadre en tirant la glissière jaune vers l'arrière afin de désengager le mécanisme de verrouillage, et faites-le pivoter vers le haut (Figure 7).
3. À partir de l'arrière de la remorque, enfoncez et maintenez les boutons de cadre droit et gauche (Figure 8), et faites tourner l'élément de cadre central vers le bas jusqu'à ce qu'il s'enclenche en place (Figure 9).
4. Repliez le cadre arrière vers le bas, puis le cadre avant (Figure 10).

REMARQUE : Des dommages aux fenêtres à filet et au tissu de la remorque peuvent se produire si la remorque est pliée avec les roues installées.

### AVERTISSEMENT

Il faut faire attention lors de l'utilisation du loquet du cadre afin d'éviter de se pincer les doigts et les mains.

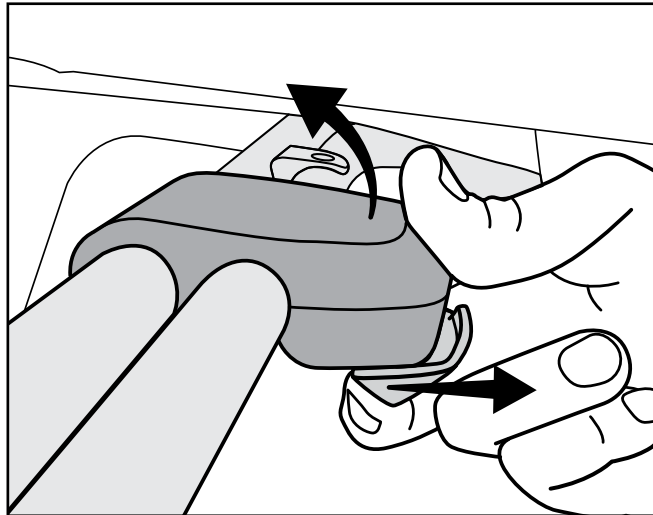


Figure 7

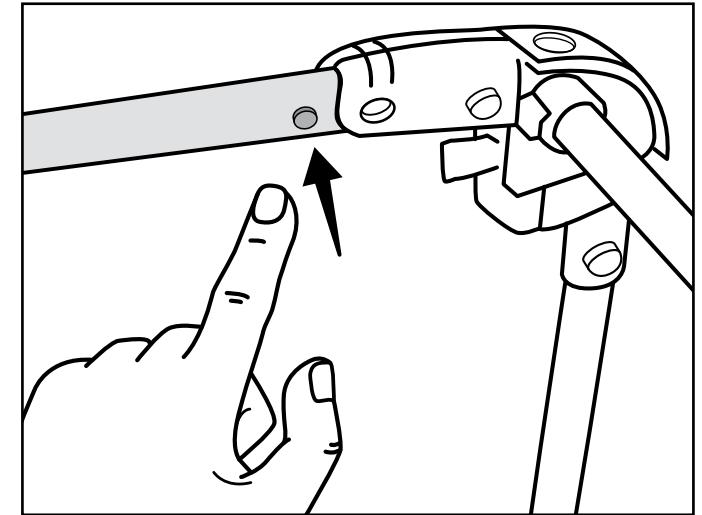


Figure 8

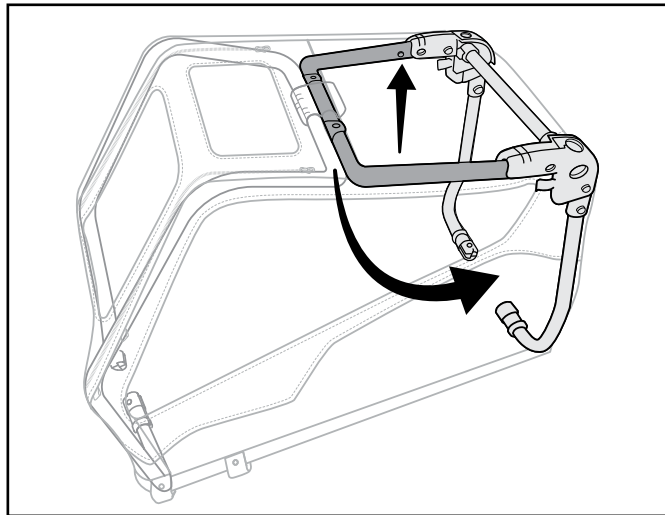


Figure 9

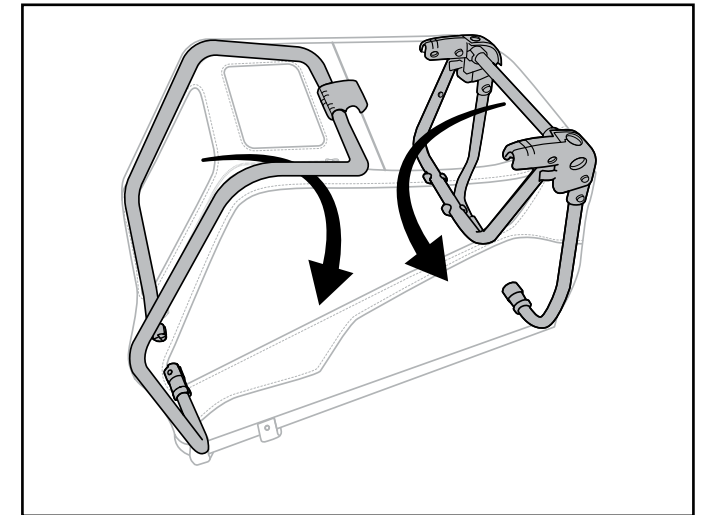


Figure 10



## Arrimage des roues

1. Appuyez sur le bouton en caoutchouc sur l'extérieur du moyeu de la roue (Figure 11).
2. Insérez l'axe de roue dans le récepteur d'axe, puis relâchez le bouton (Figure 12). Tirez fermement sur la roue pour vous assurer que l'axe est bien engagé.

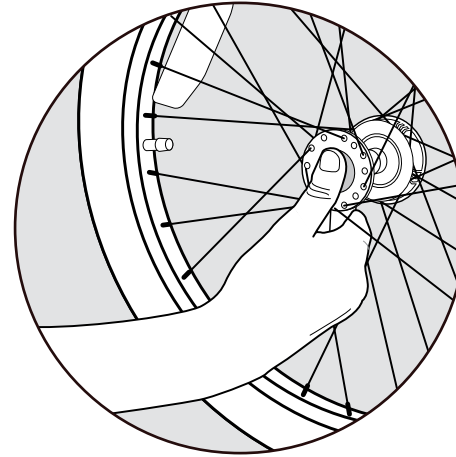


Figure 11

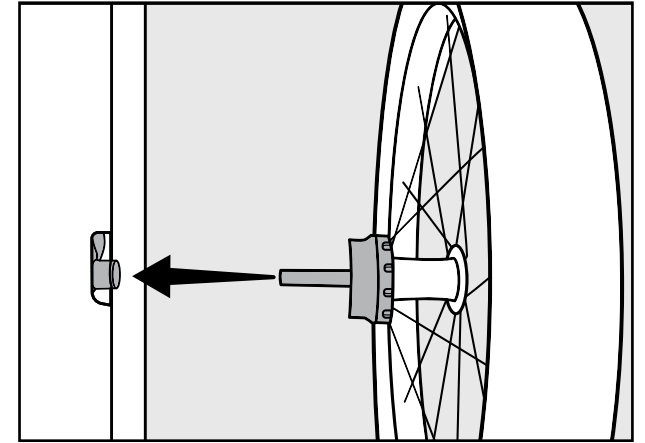


Figure 12

## Fonctionnement du frein de stationnement

1. Assurez-vous que la remorque est à l'arrêt complet.
2. Tournez le levier rouge du frein de stationnement de manière à ce qu'il soit dirigé vers l'avant de la remorque (Figure 13). Il se peut que la remorque doive tourner légèrement vers l'avant pour que le frein s'enclenche et que le levier tourne complètement.
3. Il se peut que la remorque doive tourner légèrement vers l'avant pour que le frein s'enclenche et que le levier tourne complètement. Afin de désengager le frein de stationnement, tournez complètement le levier de façon à ce qu'il pointe vers l'arrière de la remorque.

### AVERTISSEMENT

Le frein de stationnement est uniquement destiné à être utilisé lorsque la remorque est à l'arrêt complet. L'utilisation du frein de stationnement pendant la marche peut entraîner des dommages, un accident, des blessures graves ou la mort.

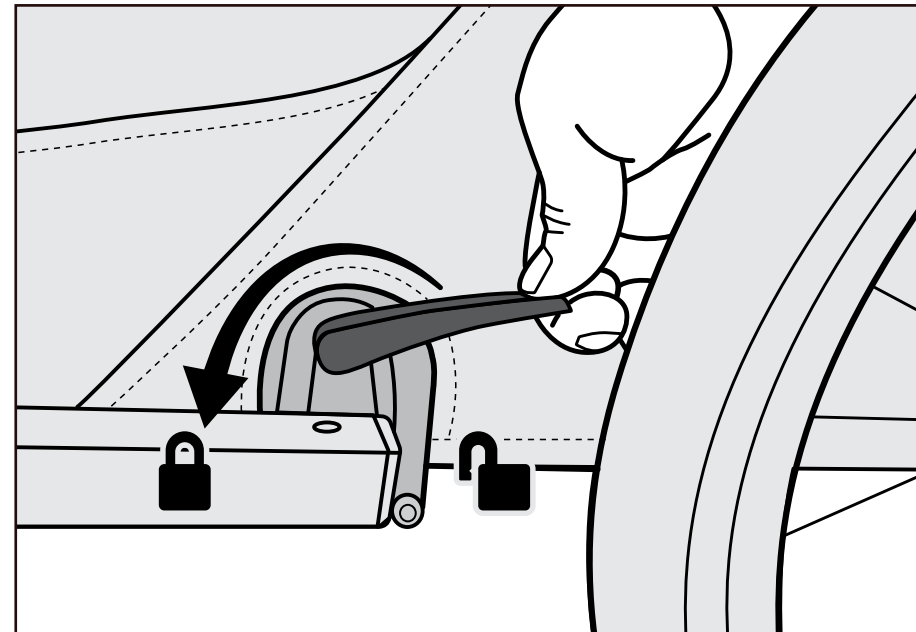


Figure 13

## Installation des garde-roues

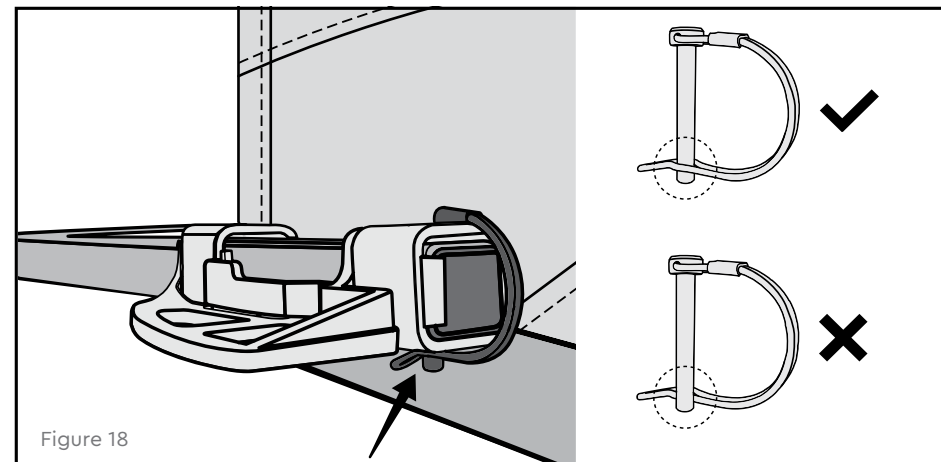
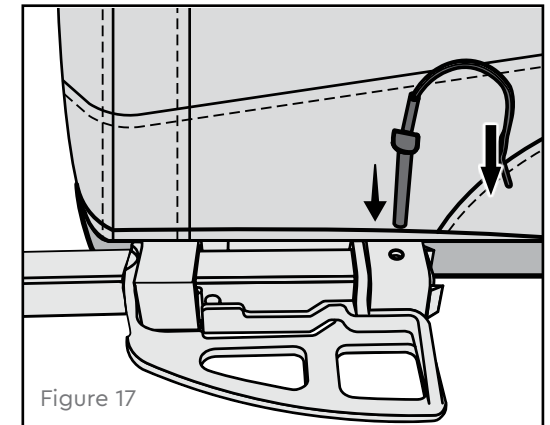
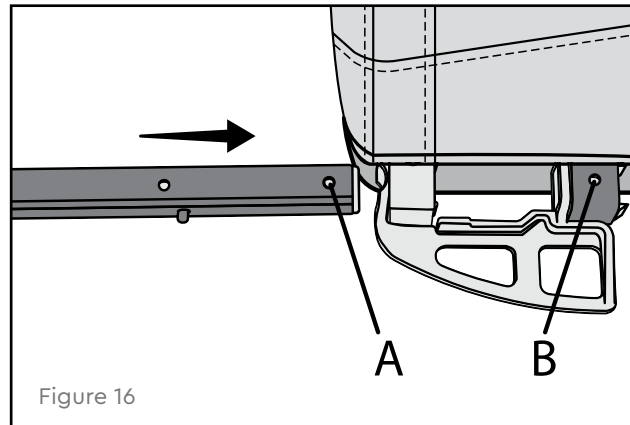
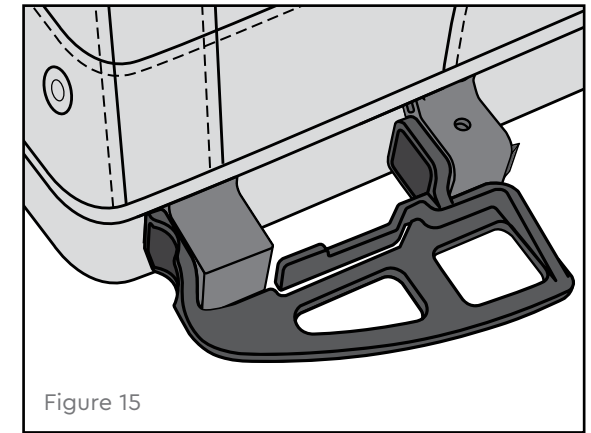
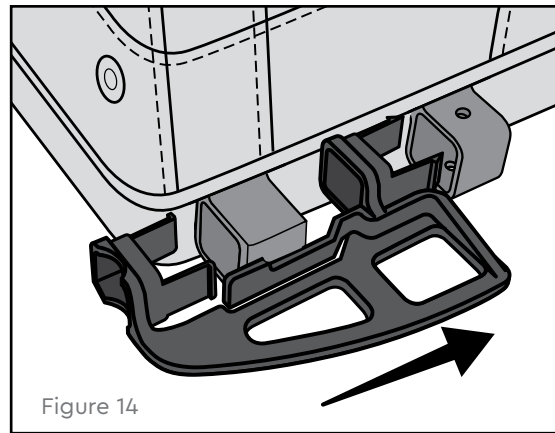
1. Positionnez le garde-roues comme indiqué (Figure 14).
2. Faites glisser le garde-roues dans le récepteur de la barre de remorquage jusqu'à ce qu'il s'enclenche (Figure 15).  
Pliez légèrement les languettes avant vers l'intérieur lors de l'insertion.
3. Recommencez de l'autre côté.

## Installation de la barre de remorquage

1. Appuyez sur le bouton presseur et faites glisser les récepteurs de la barre de remorquage jusqu'à ce que l'orifice A soit aligné avec l'orifice B (Figure 16).
2. Insérez la tige de retenue par le haut dans les orifices alignés (Figure 17).
3. Assurez-vous que la tige de retenue est correctement fixée comme indiqué (Figure 18).

## Désinstallation de la barre de remorquage

1. Retirez la tige de retenue.
2. Appuyez sur la languette du garde-roues pour enfoncer le bouton presseur, puis retirez la barre de remorquage.



## Conversion en mode poussette

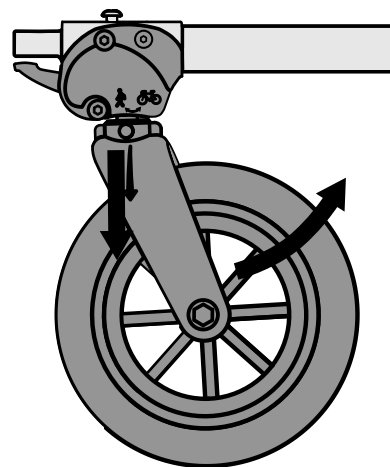
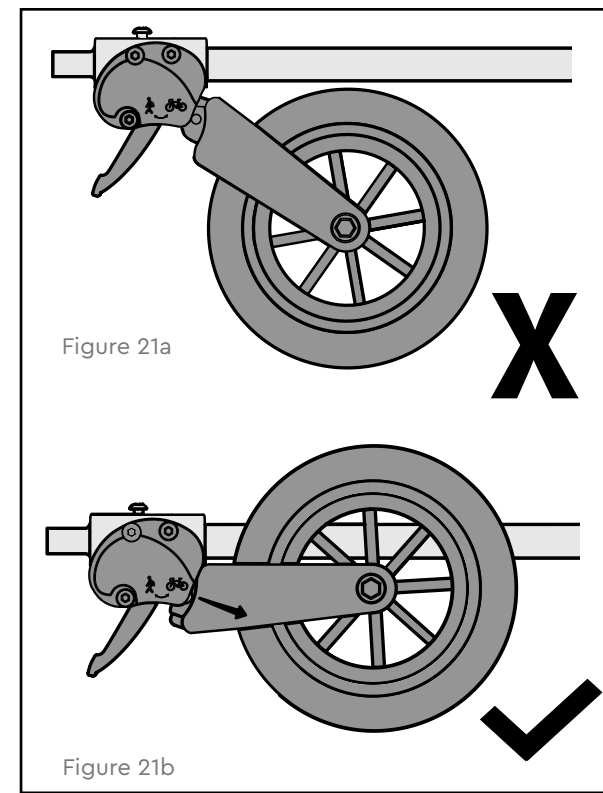
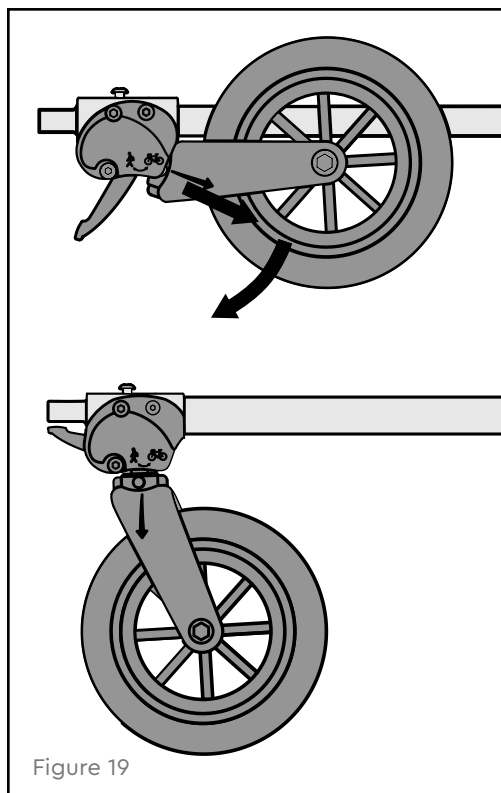
1. Tirez la fourche comme indiqué (Figure 19), puis faites tourner la roue à fond vers le bas. La fourche se bloque automatiquement en position verrouillée.

## Conversion en mode remorque

1. Tirez la fourche vers le bas (Figure 20) et faites-la pivoter vers le haut en mode remorque, comme indiqué. La fourche se bloque automatiquement en position de remorque lorsqu'elle est correctement positionnée (Figure 21b). Si la flèche blanche n'est pas visible du même côté que le graphisme MODE, la roue de la poussette n'est pas verrouillée en place (Figure 21a).

### AVERTISSEMENT

La roue de la poussette doit toujours être repliée vers le haut, en mode remorque, avant d'être tirée à l'arrière d'un vélo. Le fait de ne pas positionner la roue de la poussette en mode remorque avant de rouler en vélo peut provoquer un accident et des blessures graves, voire la mort.



## Installation / réglage du guidon

1. Insérez le guidon dans le récepteur, appuyez sur les deux boutons jaunes du récepteur du guidon et insérez le guidon au-delà des boutons. (Figure 22)
2. Relâchez les boutons et faites glisser le guidon jusqu'à ce qu'il s'enclenche. (Figure 22)
3. Le guidon dispose de deux réglages de hauteur. Appuyez sur chaque bouton du récepteur du guidon afin de faire glisser le guidon à la position souhaitée (Figure 22). Assurez-vous que les deux côtés du guidon sont à la même hauteur.
4. Avant l'utilisation, poussez la poignée du guidon vers le bas puis tirez-la légèrement vers le haut afin de vous assurer que le guidon est correctement verrouillé.
5. Pour retirer le guidon, appuyez sur les deux boutons et faites glisser complètement le guidon.

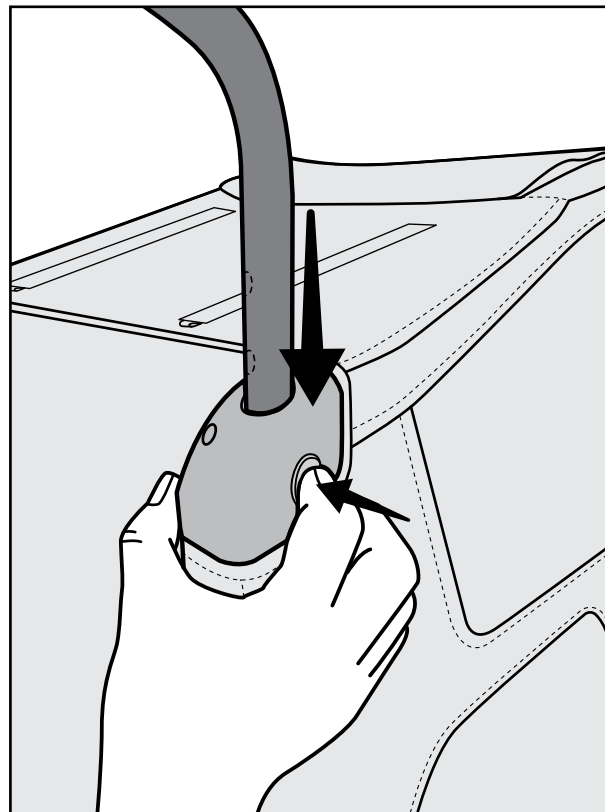


Figure 22

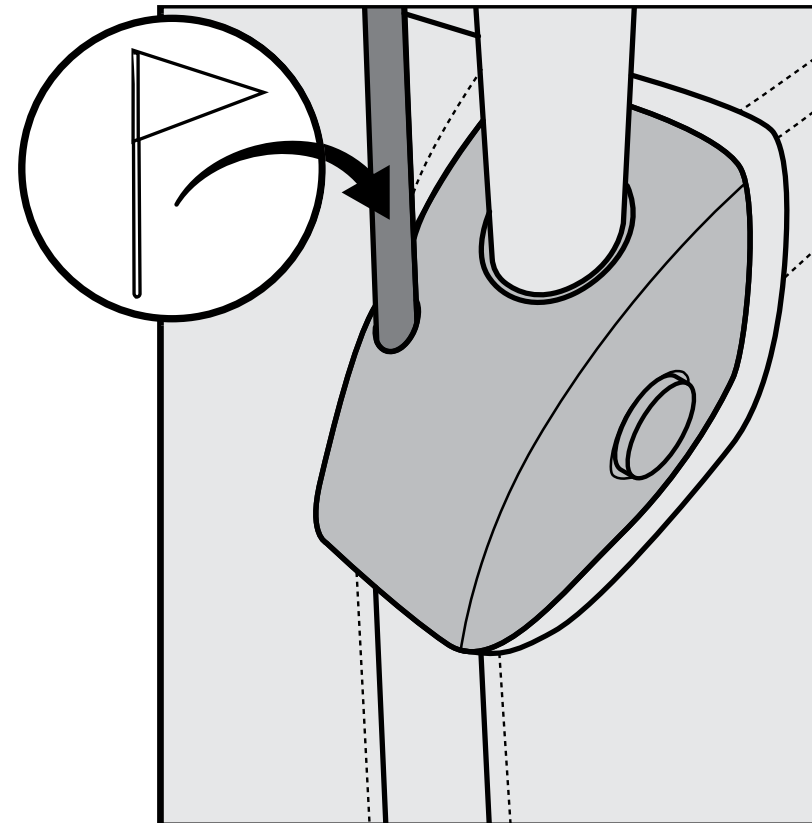


Figure 23

## Installation du drapeau

1. Insérez le drapeau dans le tube de fixation du drapeau au niveau de chaque récepteur du guidon. Assurez-vous que le drapeau est inséré complètement. (Figure 23)

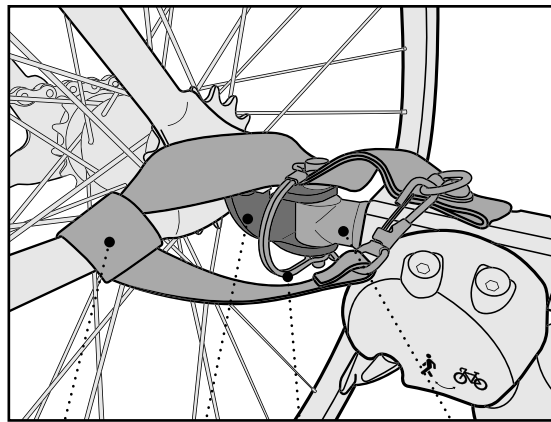
## Accrochage de la remorque

1. **Système de blocage rapide ou essieu à écrou** : Ôtez la broche du système de blocage rapide ou l'écrou du côté gauche de l'essieu de la roue arrière du vélo. Installez l'attelage entre le système de blocage rapide ou l'écrou et le cadre (Figure 24). Serrez le système de blocage rapide ou l'écrou, conformément aux recommandations du fabricant. L'attelage peut rester sur le vélo lorsque la remorque est retirée. Vous trouverez des accessoires adaptés à votre remorque ou à votre vélo sur le site [Burley.com](http://Burley.com).

**Axe traversant** : Vous trouverez des informations sur le réglage et l'installation propres à votre vélo sur [Burley.com](http://Burley.com) (Figure 25).

2. **Accrochage de la barre de remorquage à l'attelage** : Insérez le connecteur flexible entre les deux languettes de l'attelage (Figure 26), de telle sorte que tous les orifices soient alignés. Insérez la tige de retenue et fermez le dispositif de retenue (Figure 27). Enroulez deux fois la sangle de sécurité autour du cadre du vélo et attachez-la à l'anneau d'arrimage de la barre de remorquage (Figure 28). La sangle et le loquet ne doivent pas entrer en contact avec les rayons.

3. **Démontage de la barre de remorquage de l'attelage** : déverrouillez la sangle de sécurité de l'anneau d'arrimage et déroulez-la en partant du cadre du vélo. Retirez la goupille de sécurité et ouvrez le dispositif de retenue. Puis démontez le raccord souple de l'attelage.



Sangle de sécurité  
Attelage  
Tige de retenue  
Connecteur flexible

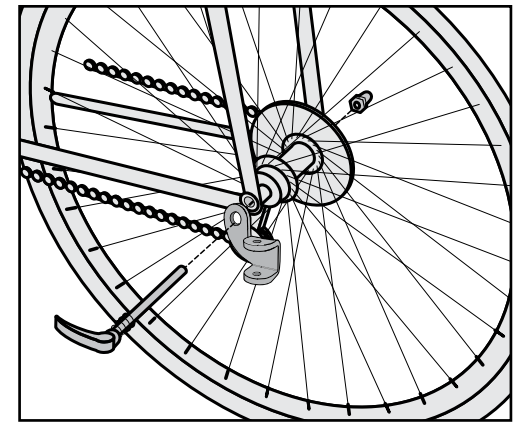


Figure 24



Figure 25

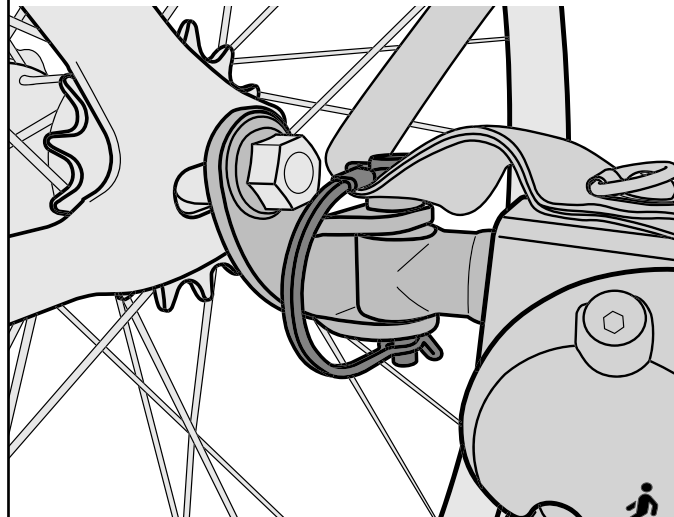
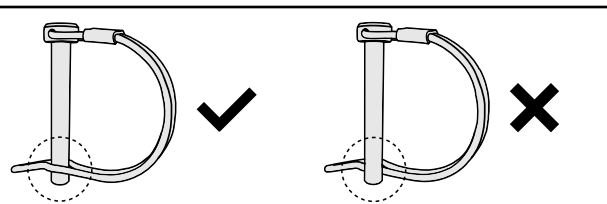


Figure 27

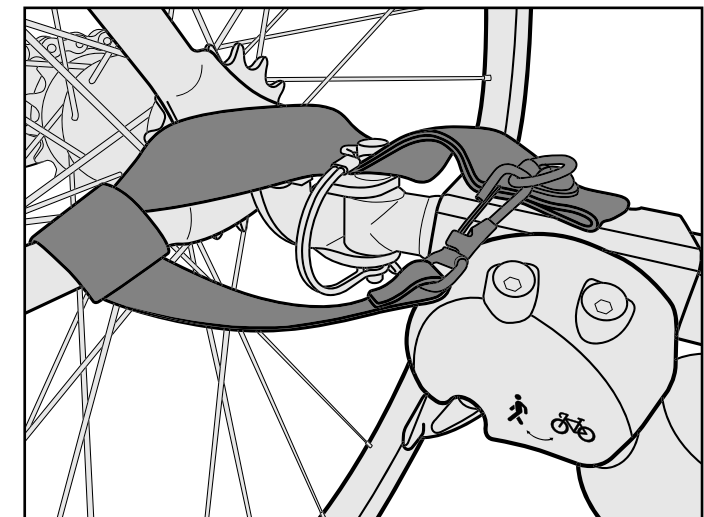


Figure 28

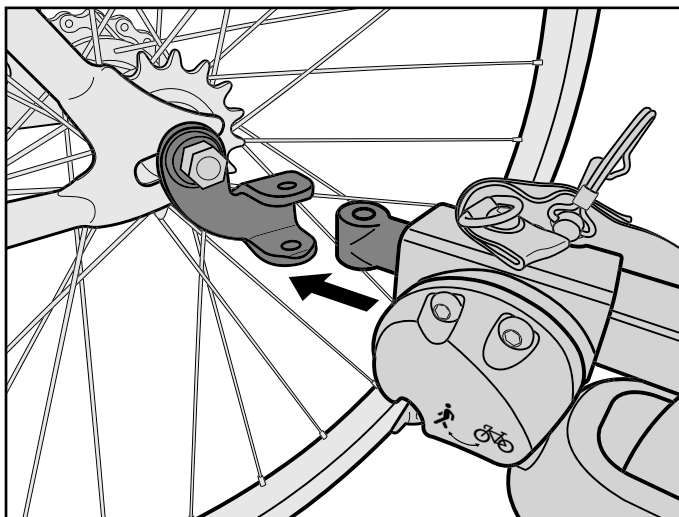


Figure 26

## Fixation de la capote

1. La fenêtre à filet avant peut être dézippée depuis l'avant de la remorque. La fenêtre peut être enroulée et fixée en insérant les crochets de porte dans les boucles réfléchissantes à l'emplacement ② (Figure 29).
2. Pour une sécurité accrue de l'animal lors du trajet, la fenêtre à filet avant peut être dézippée et roulée depuis le toit de la remorque. Attachez la fenêtre en insérant les crochets de porte dans les boucles réfléchissantes à l'emplacement ① (Figure 30).
3. La capote de la porte arrière de la remorque peut être enroulée et fixée en insérant les crochets de suspension dans les boucles réfléchissantes à l'emplacement ③ (Figure 31).
4. La fenêtre à filet de la porte arrière peut être enroulée et fixée en insérant les crochets de suspension dans les boucles réfléchissantes à l'emplacement ③ (Figure 32).

REMARQUE : Assurez-vous que les portes sont correctement fixées avant d'utiliser la remorque en mode vélo ou poussette.

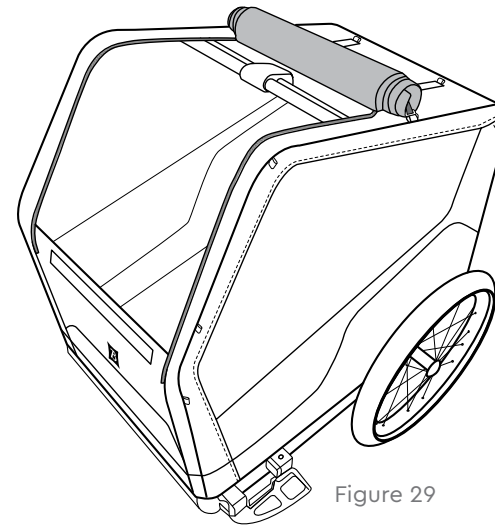


Figure 29

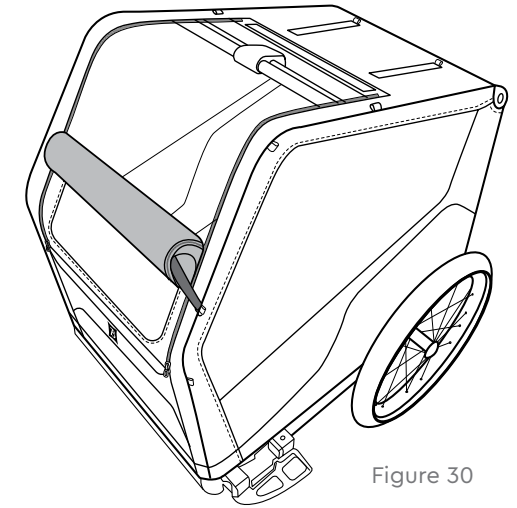
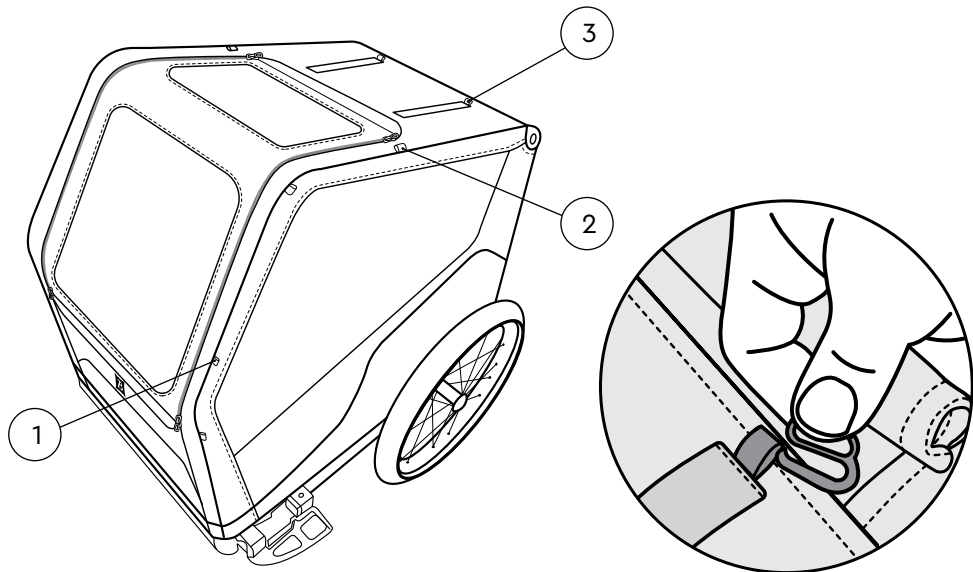


Figure 30



Emplacements des boucles réfléchissantes

Détails des crochets et des boucles

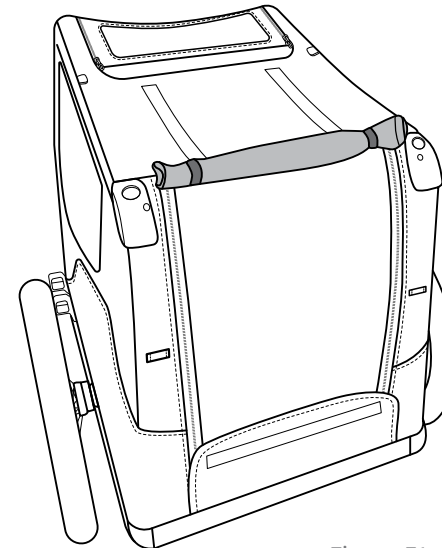


Figure 31

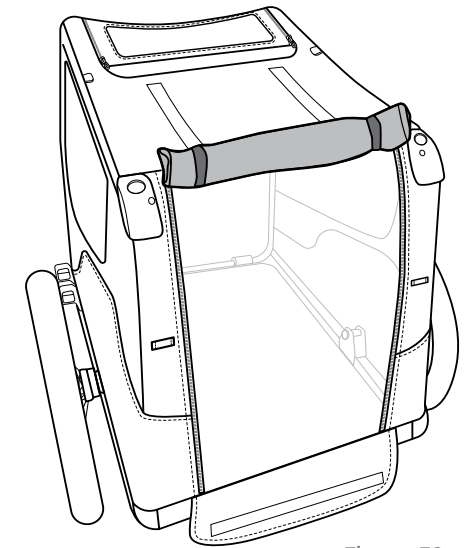


Figure 32



## Retrait / nettoyage du fond

1. Depuis l'arrière de la remorque, poussez la partie inférieure du fond vers le haut vers l'intérieur de la remorque, des deux côtés, jusqu'à ce qu'elle s'enclenche dans le dispositif de retenue en plastique.
2. Faites pivoter le plancher vers le haut et faites-le glisser vers l'arrière de la remorque.
3. Retirez et lavez à la main les parties en tissu, avec de l'eau chaude et un savon ou un détergent doux. N'UTILISEZ PAS d'eau de javel ou de solvants.
4. Replacez-les en faisant glisser l'avant sous les tubes de cadre avant et en les faisant tourner vers le bas.
5. Poussez fermement le fond vers le bas et assurez-vous que toutes les attaches sont engagées.

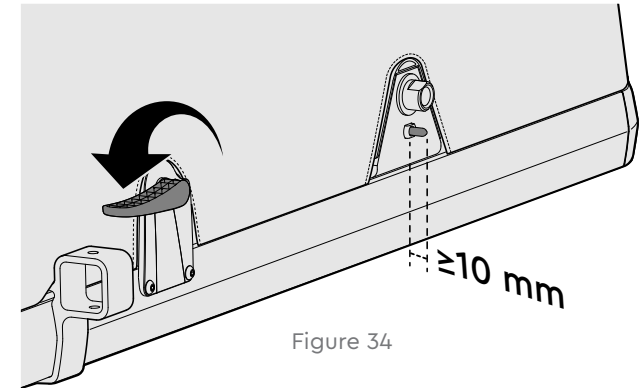
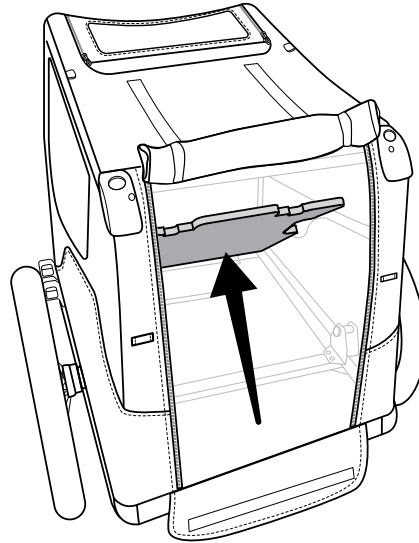


Figure 34

## Réglage du frein

1. Retirez les roues et activez le levier du frein (Figure 34).
2. Les goupilles de frein doivent dépasser d'au moins 10 mm (Figure 34). Si cette distance est inférieure à 10 mm, elles devront être ajustées afin de garantir le fonctionnement correct du frein.
3. Pour régler le dépassement de la tige de frein :
  - a. Retirez le fond.
  - b. Relevez le volet du câble de frein du côté du levier de frein de la remorque (Figure 35).
  - c. Ajustez le câble en tournant le dispositif de réglage du barillet correspondant dans le sens inverse des aiguilles d'une montre afin de serrer le câble (Figure 36). Faites tourner le dispositif de réglage du barillet gauche pour le frein de gauche et le dispositif de réglage du barillet droit pour le frein de droite.
  - d. Faites tourner le dispositif de réglage du barillet jusqu'à ce que la tige dépasse d'au moins 10 mm.
  - e. Fixez le dispositif de réglage en serrant l'écrou contre le boîtier en plastique au moyen d'une clé de 8 mm (Figure 37).
4. Relâchez le frein et activez-le afin de vous assurer de son fonctionnement correct.
5. Abaissez le volet du câble de frein et remettez le fond en place.

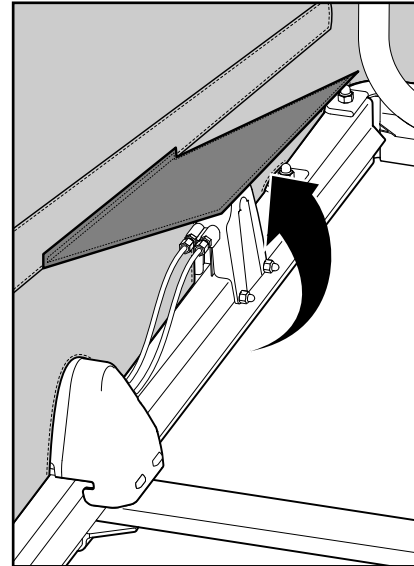


Figure 35

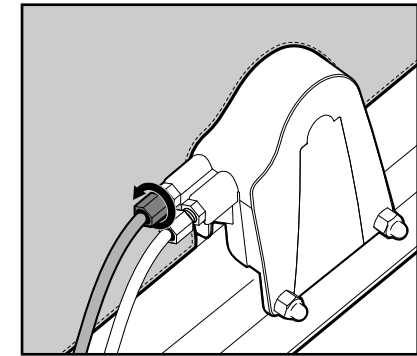


Figure 36

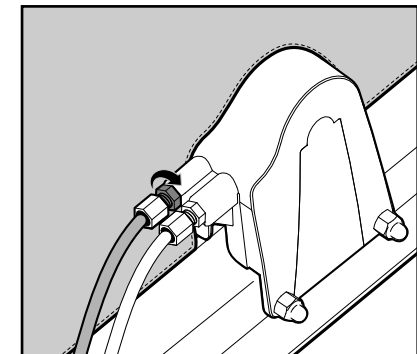
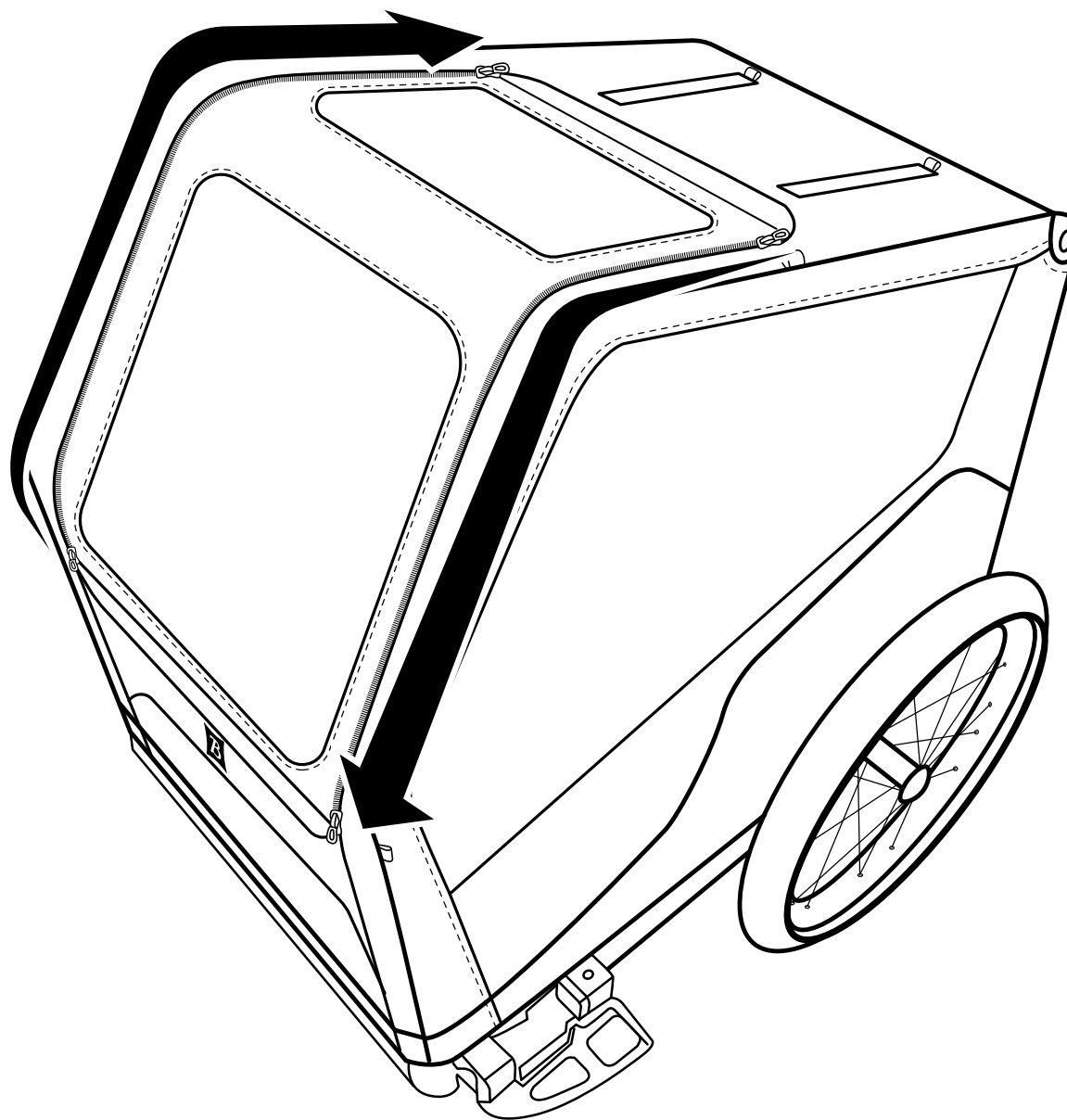


Figure 37

## Retrait de la fenêtre avant

1. La fenêtre avant peut être retirée afin d'être remplacée ou réparée.
2. Ouvrez la fermeture éclair du côté droit jusqu'en HAUT de la fenêtre et retirez les glissières de la remorque (Fig. 39).
3. Ouvrez la fermeture éclair du côté gauche jusqu'en BAS de la fenêtre et retirez les glissières de la remorque (Fig. 39).
4. Pour réinstaller la fenêtre, refermez la fermeture éclair du côté droit en HAUT de la fenêtre et refermez également la fermeture éclair du côté gauche en BAS de la fenêtre.



## Avant d'utiliser votre produit :

### Assurez-vous avant chaque utilisation que :

1. Les roues sont bien fixées à la remorque.
2. Les pneus sont gonflés à la pression recommandée, indiquée sur le flanc du pneu.
3. La barre de remorquage est correctement fixée à la remorque.
4. L'attelage est correctement fixé au vélo.
5. Les tiges de retenue de l'attelage et de la barre de remorquage sont correctement fixées.
6. La sangle de sécurité de l'attelage est correctement installée.
7. Le poids de la barre de remorquage au niveau de l'attelage est supérieur à 1 kg (2 lb) mais n'excède pas 9 kg (20 lb) quand la remorque est entièrement chargée.
8. Le vélo est en bon état de marche, en particulier les freins et les pneus (reportez-vous aux instructions du fabricant du vélo).
9. Le drapeau de sécurité est installé.
10. L'éclairage convient aux conditions de la route.
11. Vérifiez que le frein de stationnement est desserré avant de rouler.
12. La capote est installée et fermée.
13. La charge ne dépasse pas :
  - Bark Ranger : 34 kg (75 lb)
  - Bark Ranger XL: 45 kg (100 lb)

### Tous les mois :

- Inspectez la barre de remorquage, l'attelage, la tubulure du cadre, le connecteur flexible et le matériel pour vous assurer qu'ils ne sont pas endommagés.
- Les connecteurs flexibles doivent être remplacés tous les 3 ans pour un fonctionnement sûr.
- Vérifiez que les boulons sont serrés.
- Inspectez les pneus et les roues afin de vous assurer de leur conformité ainsi que de l'absence de signes d'usure et de fissures.
- Inspectez les parties en tissu afin de vous assurer de l'absence d'accrocs, d'abrasions, de pièces manquantes ou endommagées.

Contactez un revendeur Burley agréé pour le remplacement des pièces endommagées ou usées.

Respectez toujours la réglementation locale pour le poids maximum de la remorque.

## Entretien de votre produit Burley :

### Rangement :

Pour prolonger la durée de vie du produit, rangez-le à l'intérieur. La remorque ne doit pas être rangée à des températures inférieures à -23°C (-10°F) ou supérieures à 65°C (150°F).

Si la remorque est utilisée dans un environnement à forte teneur en sel (plage ou routes salées), il est fortement recommandé de nettoyer la remorque après son utilisation et avant de l'entreposer.

### Entretien des parties en tissu

Lavez les parties en tissu à la main, à l'eau chaude avec un savon ou détergent doux. N'UTILISEZ PAS d'eau de javel ou de solvants. Laissez sécher et rangez la remorque à l'abri des rayons du soleil, dans une pièce sèche et bien ventilée.

## Garantie limitée Burley :

Cette remorque Burley est garantie contre tous vices de matériau et de fabrication, comme suit à partir de la date d'achat : tissu : un an ; cadre et parties en plastique : cinq ans. La date de l'achat d'origine indiquée sur le reçu daté constitue la preuve d'achat.

Si un défaut de matériau et de fabrication apparaît durant la période de garantie limitée, nous pourrons, à notre seule discrétion, décider de réparer ou de remplacer votre produit, sans aucun coût pour vous. Cette garantie n'est valide que dans le pays dans lequel le produit a été acheté.

La garantie limitée ne s'applique qu'à l'acheteur d'origine de ce produit et n'est pas transférable à quiconque devient propriétaire du produit.

La garantie limitée ne couvre pas les réclamations du fait d'une mauvaise utilisation, du non-respect des instructions, d'une mauvaise installation, d'une maintenance non appropriée, d'une utilisation abusive, d'une modification, d'une implication dans un accident, ainsi que d'une usure et une dégradation normales. La garantie limitée ne couvre pas les produits utilisés dans des activités de location. Burley n'est pas responsable des dommages indirects ou commerciaux liés à une telle utilisation.

DANS LA MESURE DU POSSIBLE, CONFORMÉMENT À LA LOI, LA PRÉSENTE GARANTIE LIMITÉE EST EXCLUSIVE ET REMPLACE TOUTE AUTRE GARANTIE, ÉCRITE OU ORALE, Y COMPRIS, MAIS SANS S'Y LIMITER, À UNE QUELCONQUE GARANTIE, EXPLICITE OU IMPLICITE, DE QUALITÉ MARCHANDE OU D'ADÉQUATION À UN USAGE PARTICULIER. La durée de toute garantie implicite, y compris toute garantie implicite de qualité marchande ou d'adéquation à un usage particulier pouvant exister pendant la période de garantie expresse, est expressément limitée à la période de garantie limitée.

Certains états et pays n'autorisent pas de limitation de la durée d'une garantie implicite limitée ; par conséquent, les limitations et exclusions ci-dessus peuvent ne pas s'appliquer à vous.

LE RECOURS EXCLUSIF DU CLIENT EN CAS DE NON-RESPECT DE CETTE GARANTIE LIMITÉE, DE TOUTE GARANTIE IMPLICITE OU DE TOUTE AUTRE OBLIGATION DÉCOULANT DE L'EXPLOITATION DE LA LOI OU DE TOUTE AUTRE OBLIGATION, SE LIMITE, COMME SPÉCIFIÉ ICI, À UNE RÉPARATION OU UN REMPLACEMENT, À NOTRE SEULE DISCRÉTION. EN TOUT CAS, LA RESPONSABILITÉ DES DOMMAGES SPÉCIAUX, ACCESSOIRES ET INDIRECTS EST EXPRESSÉMENT EXCLUE.

Certains États n'autorisant pas l'exclusion de la limitation des dommages accessoires ou indirects, la limitation de l'exclusion ci-dessus peut ne pas s'appliquer à vous.

Nos produits sont assortis de garanties qui ne peuvent être exclues en vertu de la loi australienne sur la consommation (ACL). Vous avez droit à un remplacement ou à un remboursement pour une défaillance majeure et à une indemnisation pour toute autre perte ou dommage raisonnablement prévisible. Vous avez également le droit de faire réparer ou remplacer le produit si la qualité de la marchandise n'est pas acceptable et si la défaillance ne constitue pas une défaillance majeure.

Cette garantie limitée vous donne des droits légaux spécifiques. Vous pouvez avoir d'autres droits qui varient d'un État ou d'un pays à l'autre.

Pour obtenir des informations sur le service de garantie ou les pièces de rechange pour les États-Unis ou le Canada, veuillez contacter directement Burley par téléphone au 800-311-5294 ou par email, à l'adresse [burley@burley.com](mailto:burley@burley.com). Pour obtenir des informations sur le service de garantie ou les pièces de rechange en dehors des États-Unis et du Canada, veuillez contacter votre lieu d'achat pour le service de garantie. Les informations suivantes vous seront demandées : modèle du produit, numéro de série et description du problème.

Certaines pièces de rechange peuvent être disponibles à l'achat après l'expiration de cette garantie limitée. Connectez-vous sur [www.burley.com](http://www.burley.com) ou appelez-nous au 541-687-1644 pour plus d'informations.



## ADVERTENCIA

El incumplimiento de las instrucciones y advertencias de este manual podría dar lugar a lesiones graves o la muerte del ciclista o el pasajero.

- Nunca deje a su mascota sola sin supervisión..
  - NO ate ni sujete a su mascota a ninguna parte del remolque.
  - Asegúrese de que todos los dispositivos de fijación estén colocados antes de su uso.
  - Para evitar lesiones asegúrese de que la mascota esté alejada al desplegar y plegar este producto.
  - NO está diseñado para ser utilizado por niños. Este producto no es un juguete.
  - Asegúrese de que su mascota no puede llegar a los radios de las ruedas o cualquier pieza móvil.
  - Tenga en cuenta los peligros de la exposición de los ocupantes menos activos del remolque a peligros como el viento helado y los golpes de calor, ya sea por la exposición prolongada a temperaturas frías o por períodos prolongados a temperaturas altas sin la ventilación o hidratación adecuadas.
  - Colocar objetos en la parte superior de este producto puede desestabilizarlo. Montar accesorios no aprobados en este producto puede dar lugar a situaciones peligrosas. Cumpla las directrices de carga de Burley cuando agregue accesorios aprobados por Burley.
  - Cualquier carga sujeta a la empuñadura o a los lados del vehículo afectará a su estabilidad.
  - Este producto no es adecuado para correr o patinar.
  - NO arrastre un remolque con un vehículo de motor o eléctrico (pueden utilizarse bicicletas eléctricas aprobadas).
  - NO usar con una carga total que supere los límites de peso. Si se supera la carga recomendada, la unidad podría volverse inestable.
  - NO haga modificaciones en el producto.
  - NO infle las ruedas en exceso. Si no se respeta la presión nominal indicada en la pared lateral de los neumáticos, el neumático podría reventar y causar posibles lesiones.
  - Durante los paseos siga siempre caminos destinados a pasear. No utilice el remolque en pendientes empinadas que podrían desestabilizarlo. Debe poder mantener la tracción y el control en todo momento.
  - No realice maniobras en escaleras u otros obstáculos con la mascota dentro.
  - Utilice solo accesorios aprobados por Burley. Si monta un accesorio en el remolque, asegúrese de leer y respetar todas las advertencias e instrucciones incluidas con el kit de accesorio.
- Nota:** Las referencias a izquierda o derecha se toman estando de pie detrás del remolque mirando hacia delante.

### Uso como remolque de bicicleta:

- Se recomienda que un mecánico cualificado haga una revisión de seguridad de la bicicleta remolcadora antes de acoplar el remolque.
- Antes de cada salida, asegúrese de que el remolque no interfiere con el freno, el pedaleo o la dirección de la bicicleta.
- Cumpla siempre con la normativa local cuando use el remolque en vías públicas.
- No monte en bicicleta de noche sin una iluminación adecuada.
- Respete la normativa local en materia de iluminación.
- Los reflectores rojos que vienen con el remolque deben estar montados y ser visibles en la parte posterior del remolque en todo momento.
- Si tiene que frenar por cualquier razón, por ejemplo, para controlar a su mascota, hacer ajustes o reparar un pinchazo, asegúrese de salir completamente de la carretera.
- Cuando utiliza el remolque, está remolcando un peso adicional y un vehículo de mayor tamaño. Necesitará más tiempo para frenar, reducir la velocidad, detenerse y ponerse en marcha, sobre todo cuando marcha cuesta abajo, además de dejar más espacio para tomar curvas y en los corredores.
- Pruebe el remolque cargado en una zona sin tráfico hasta que se familiarice con el manejo de la bicicleta con remolque.
- Evite piedras, bordillos, frenados bruscos y virajes repentinos. Evite pasar por encima de obstáculos con solo una de las ruedas, ya que esto puede hacer que el remolque se vuelque.
- Utilice el sentido común para decidir si el clima, la carretera o las condiciones del tráfico son seguras para utilizar un remolque Burley. Los límites de temperatura recomendados para utilizar un remolque Burley son de -7 °C a 38 °C (20 °F a 100 °F).
- Conduzca siempre con las ventanas de malla bien cerradas con cremallera para proteger a la mascota de las piedras proyectadas.
- El conductor de la bicicleta debe tener al menos 16 años.
- Los remolques de bicicleta tirados por una bicicleta con asistencia eléctrica (EPAC) pueden estar sujetos a restricciones legales.
- Límites de velocidad recomendados:
  - 24 km/h (15 mph) en carreteras lisas y rectas
  - 8 km/h (5 mph) al girar o en carreteras con firme irregular
- El peso del remolque debe estar adecuadamente distribuido para que la conducción sea segura. La fuerza descendente que se ejerce en el extremo de la barra de remolque, en el punto de contacto con la bicicleta, debe ser de entre 1 y 9 kg (2 lbs y 20 lbs). Para medir esta fuerza, cargue el remolque y colóquelo junto a una báscula de baño. Súbase a la báscula y anote su peso. Mientras esté en la báscula, levante el extremo de la barra de remolque a 30 cm (1 pie) sobre el suelo y vuelva a anotar el peso. La diferencia de peso es la fuerza descendente que se ejerce en la barra de remolque. Si el peso es demasiado bajo, la rueda trasera de la bicicleta podría perder tracción. Si es demasiado alto, el enganche puede estar sobrecargado.



## ADVERTENCIA

Utilizar solo con un accesorio aprobado por Burley. Si monta un accesorio en el remolque, asegúrese de leer y respetar todas las advertencias e instrucciones incluidas con el kit de accesorio.

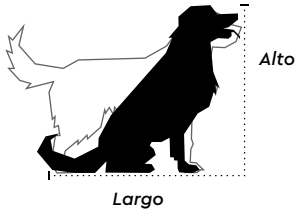


## ADVERTENCIA

Si su mascota se mueve en el remolque, desplazará el peso de carga sobre la barra de remolque del remolque, que se transferirá directamente a la bicicleta. Debe estar preparado para esto y para notar un mayor empuje o tirón en la bicicleta cuando esto suceda.

## Capacidades máximas

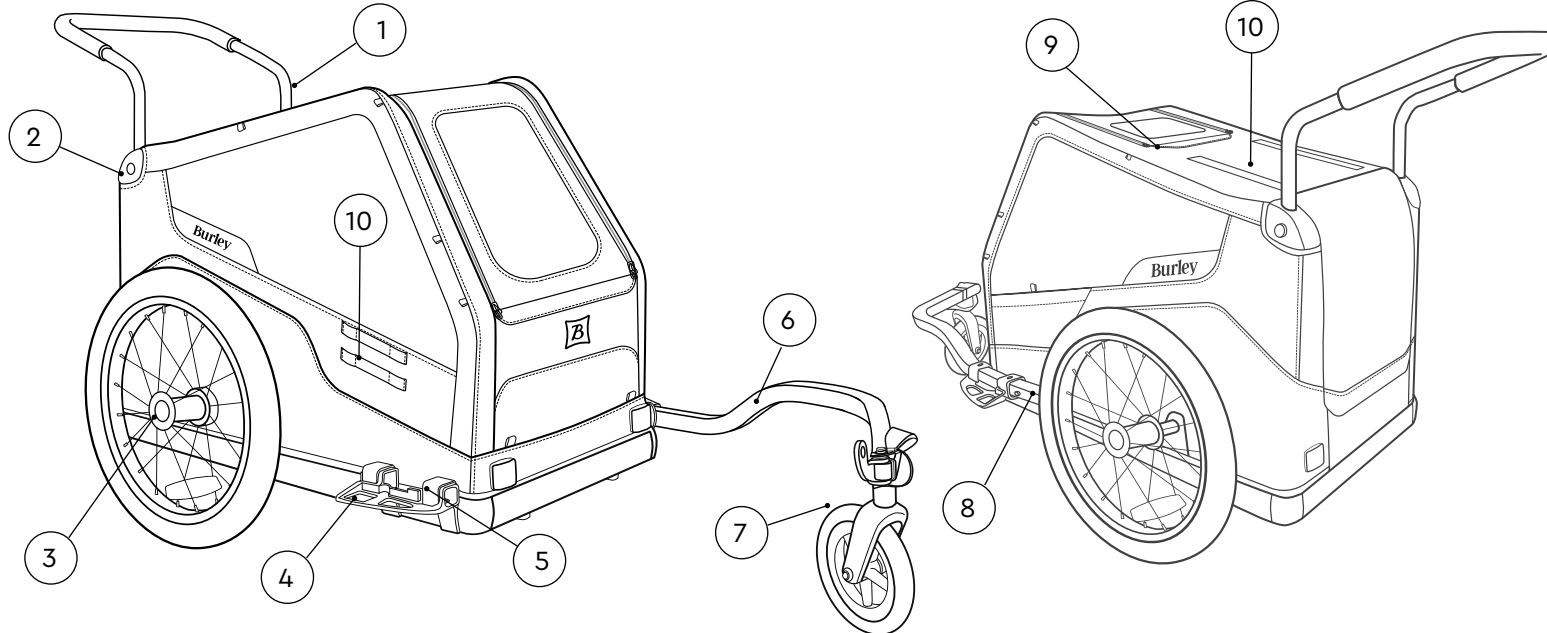
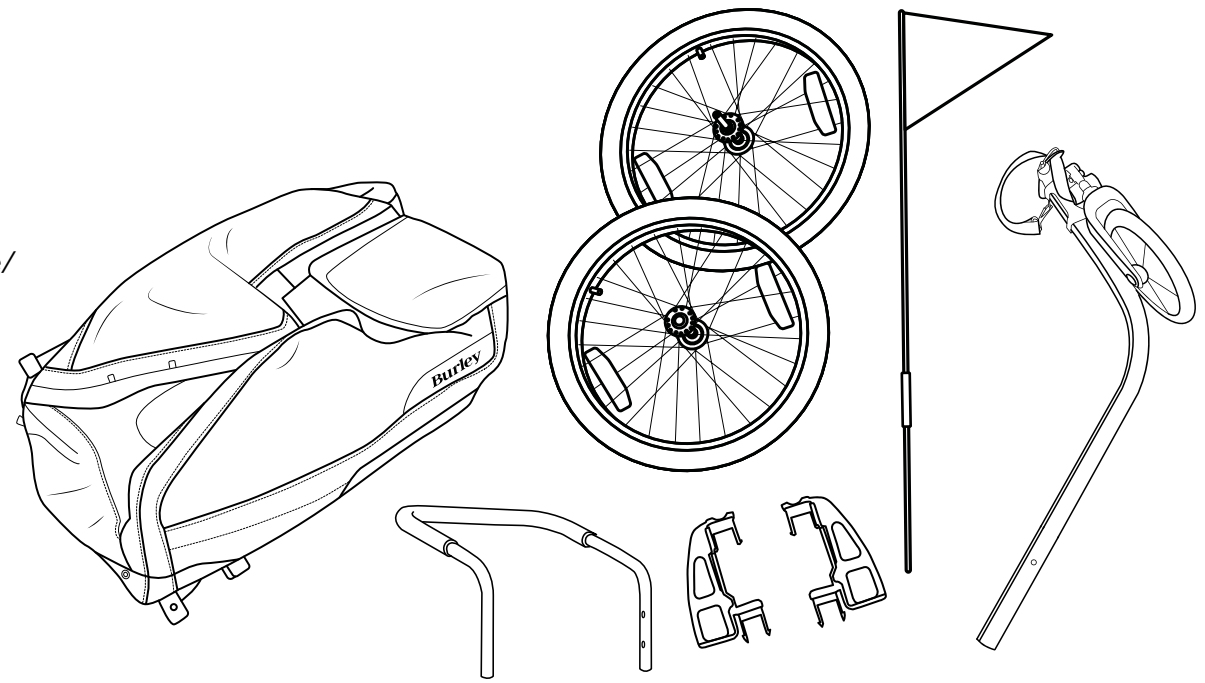
- Peso máximo de mascota + carga:  
Bark Ranger: 34 kg (75 lb), mascota + carga  
Bark Ranger XL: 45 kg (100 lb), mascota + carga
- Altura máxima de la mascota de pie:  
Bark Ranger: 63,5 cm (25 pulg)  
Bark Ranger XL: 86 cm (34 pulg)
- Longitud máxima de la mascota de pie:  
Bark Ranger: 73 cm (29 pulg)  
Bark Ranger XL: 83 cm (33 pulg)



Respete siempre la normativa local sobre peso máximo del remolque.

## Contenido de la caja:

- 1 Remolque
- 1 Bandera de seguridad
- 2 Ruedas
- 1 Barra de remolque/  
Kit de silla de paseo de 1 rueda y enganche
- 2 Protectores de rueda
- 1 Asidero



## Guía del remolque Burley:

1. Asidero
2. Botón de liberación del asidero
3. Ruedas con pulsador
4. Protector de rueda
5. Receptor
6. Brazo de remolque
7. Kit de silla de paseo con una rueda/Enganche
8. Palanca del freno de estacionamiento
9. Pestillo del cuadro (bajo la capota)
10. Lazos de acoplamiento de accesorios

# Montaje del remolque

1. Gire el tubo del cuadro delantero hacia la parte delantera del remolque (Figura 1).
2. Gire el tubo del cuadro trasero hacia la parte posterior del remolque (Figura 2).
3. Despliegue el tubo del cuadro intermedio hacia arriba (Figura 3) hasta que los botones del cuadro encajen totalmente (Figura 4).
4. Alinee el cuadro delantero con el cuadro intermedio de forma que el tubo del cuadro delantero se sitúe en los collarines de plástico negro (Figura 5).
5. Asegure el cuadro del remolque girando el pestillo del cuadro hacia abajo hasta que encaje en su lugar (Figura 6). Tire ligeramente del cuadro hacia arriba para asegurarse de que el pestillo del cuadro esté enganchado.

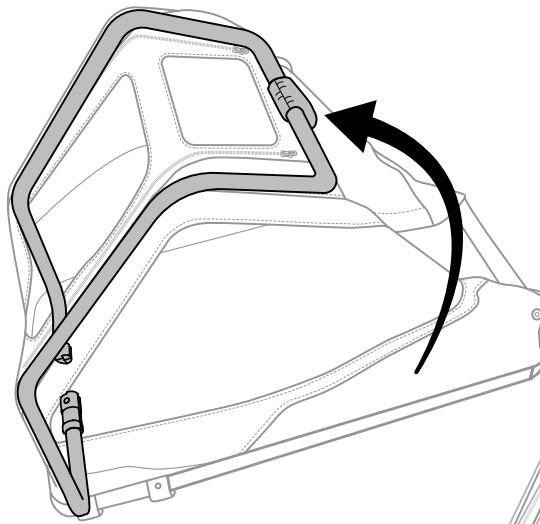


Figura 1

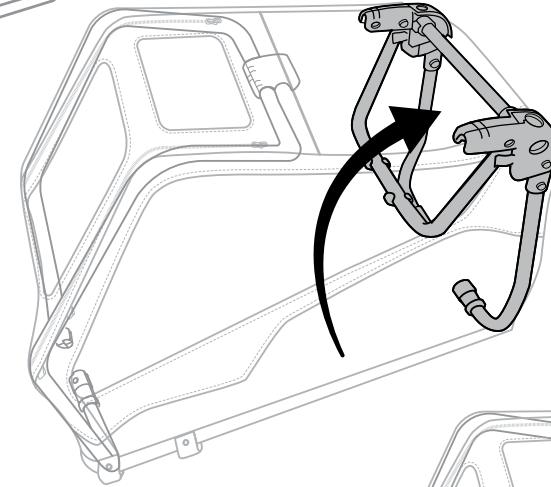


Figura 2

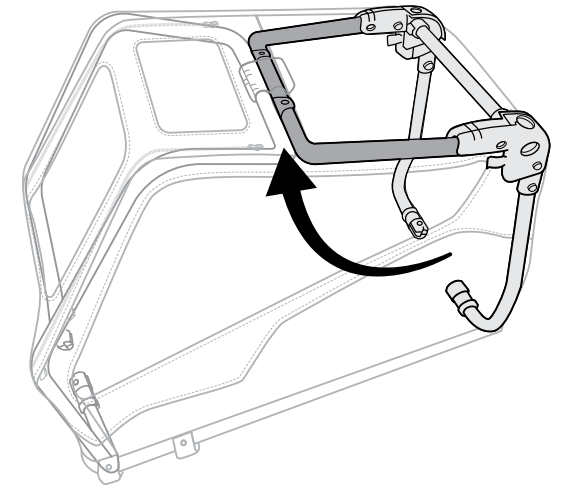


Figura 3

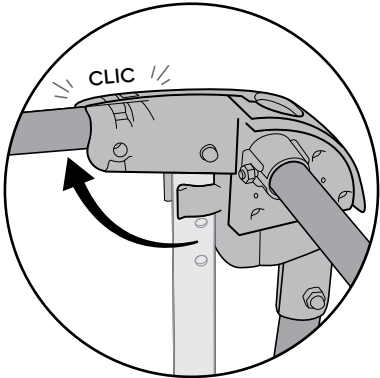


Figura 4

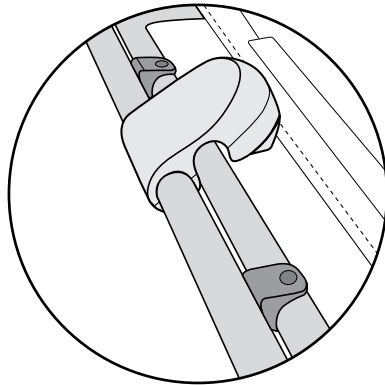


Figura 5

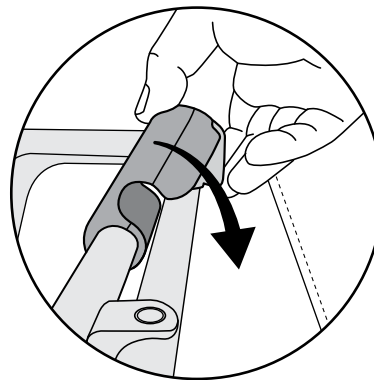


Figura 6

## ⚠ ADVERTENCIA

Se deben extremar las precauciones al plegar y desplegar la unidad para evitar pillarse los dedos.



## Cierre del remolque

1. Saque todo el contenido del interior y exterior del remolque, incluido el asidero (consulte la pág. 10).
2. Suelte el pestillo del cuadro, tirando hacia atrás del deslizador amarillo para desenganchar el mecanismo de bloqueo, y gírelo hacia arriba (Figura 7).
3. Desde la parte trasera del remolque, mantenga presionados los botones del cuadro derecho e izquierdo (Figura 8), y gire el miembro del cuadro intermedio hacia abajo hasta que encaje totalmente (Figura 9).
4. Pliegue el cuadro trasero hacia abajo, y después el cuadro delantero (Figura 10).

NOTA: Las ventanas de malla y la tela del remolque pueden resultar dañadas si el remolque se pliega con las ruedas montadas.

### ADVERTENCIA

Tenga cuidado al mover el pestillo del cuadro para no pillarse los dedos y las manos.

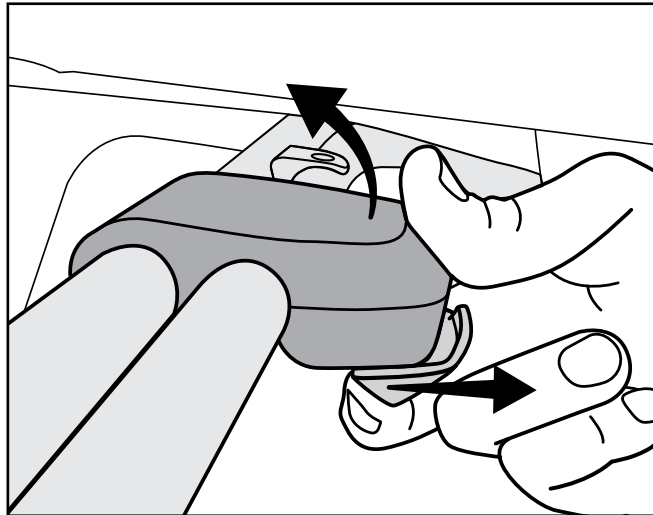


Figura 7

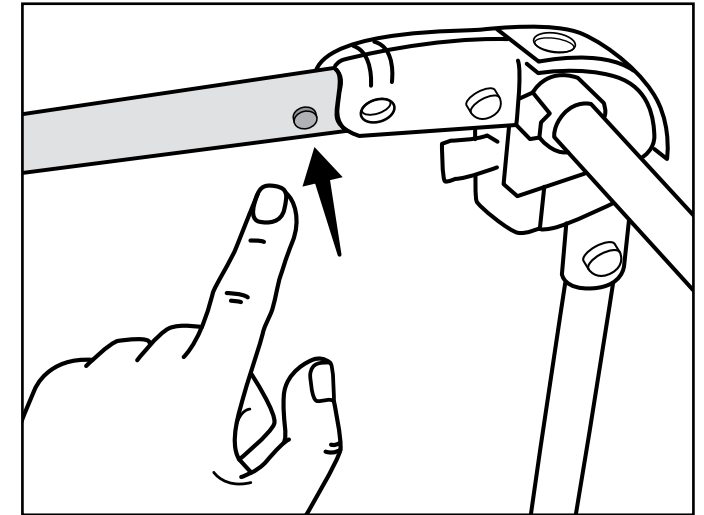


Figura 8

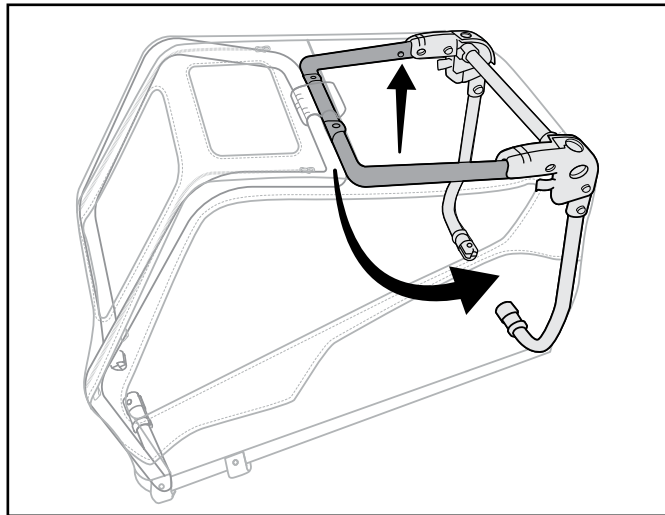


Figura 9

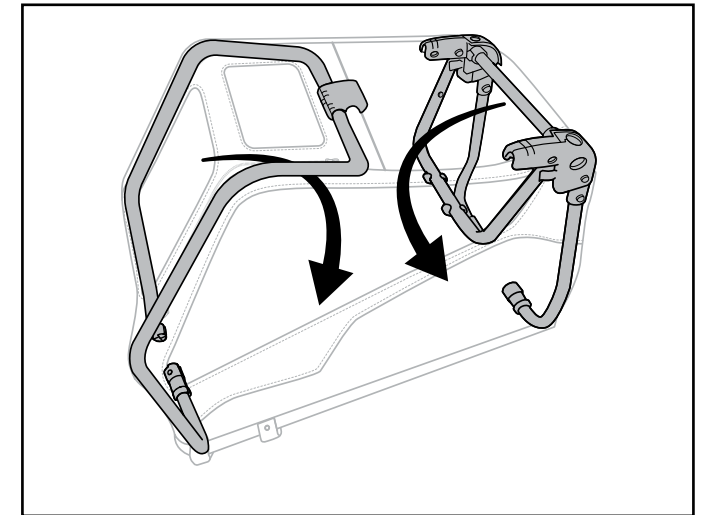


Figura 10

## Colocación de las ruedas

1. Presione el botón de goma situado en la parte externa del buje de la rueda (Figura 11).
2. Inserte el eje de la rueda en el receptor del eje y, a continuación, suelte el botón (Figura 12). Tire con firmeza de la rueda para comprobar que el eje queda bien sujeto.

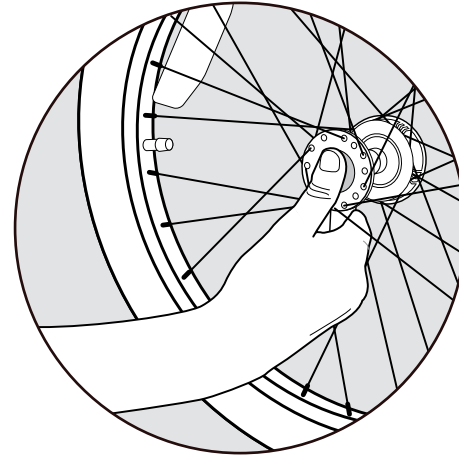


Figura 11

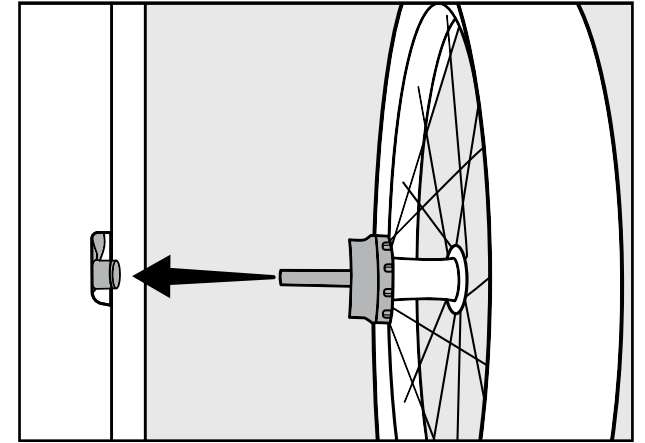


Figura 12

## Accionamiento del freno de estacionamiento

1. Asegúrese de que el remolque esté completamente detenido.
2. Gire la palanca del freno de estacionamiento roja de forma que apunte hacia la parte delantera del remolque (Figura 13). Es posible que deba mover el remolque ligeramente hacia adelante para que se accione el freno y la palanca gire completamente.
3. Es posible que deba mover el remolque ligeramente hacia adelante para que se accione el freno y la palanca gire completamente. Para desacoplar el freno de estacionamiento, gire la palanca completamente de modo que apunte hacia la parte trasera del remolque.

### ADVERTENCIA

El freno de estacionamiento está diseñado para usarlo cuando el remolque está completamente detenido. El uso del freno de estacionamiento durante el movimiento puede provocar daños, accidentes, lesiones graves o la muerte.

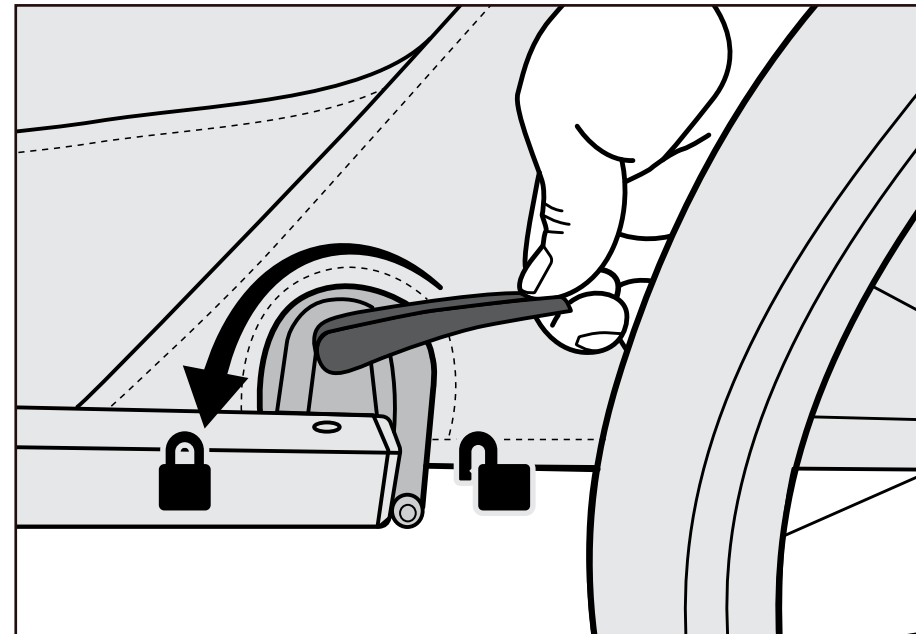


Figura 13

## Montaje de los protectores de rueda

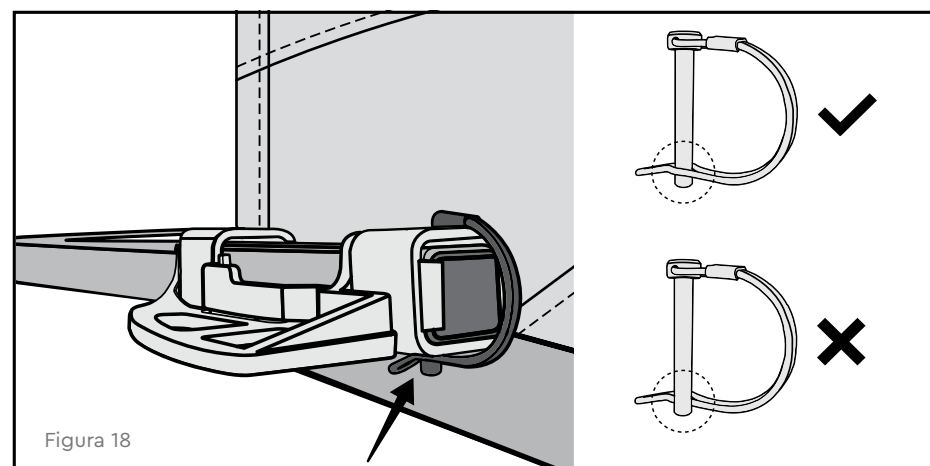
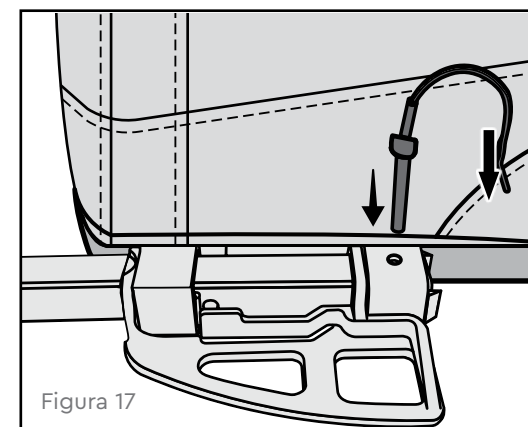
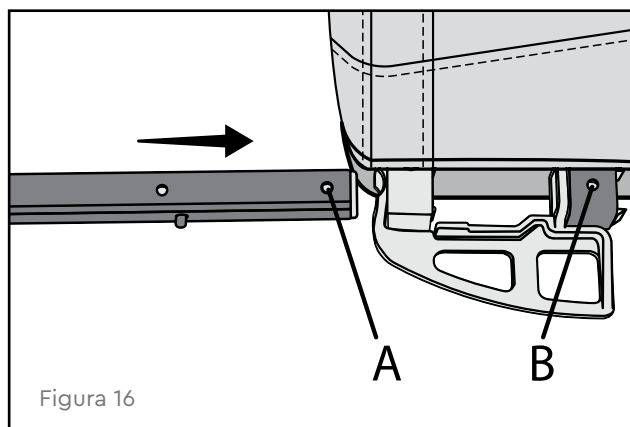
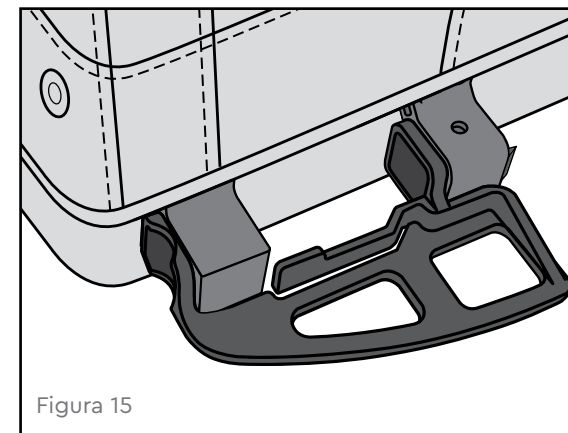
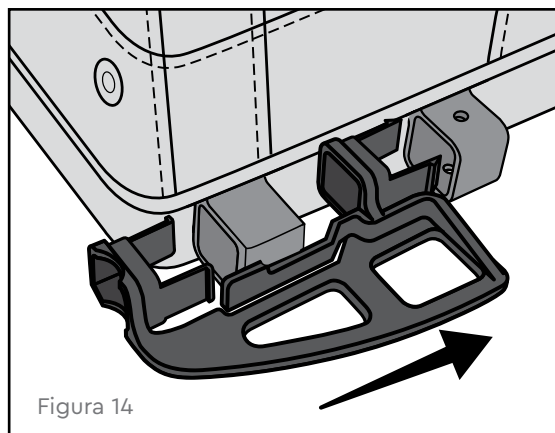
1. Coloque el protector de rueda como se muestra (Figura 14).
2. Introduzca el protector de rueda en el receptor de la barra de remolque hasta que encaje en su lugar (Figura 15). Cuando inserte las lengüetas delanteras, dóblelas ligeramente hacia el interior.
3. Repita la operación en el otro lado.

## Montaje de la barra de remolque

1. Oprima el fiador e introduzca los receptores de la barra de remolque hasta que el orificio A esté alineado con el orificio B (Figura 16).
2. Inserte el pasador de sujeción desde la parte superior a través de los agujeros alineados (Figura 17).
3. Asegúrese de que el pasador haya quedado fijado como se muestra (Figura 18).

## Desmontaje de la barra de remolque

1. Retire el pasador de sujeción.
2. Presione la pestaña del protector de rueda para presionar el fiador y retire la barra de remolque.



## Conversión al modo de silla de paseo

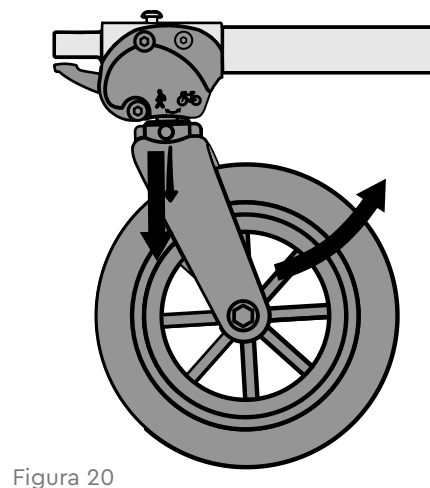
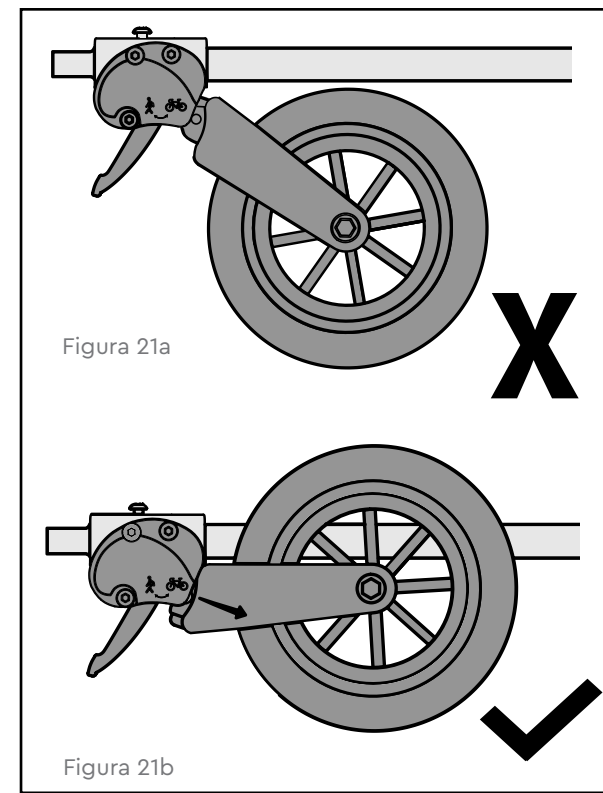
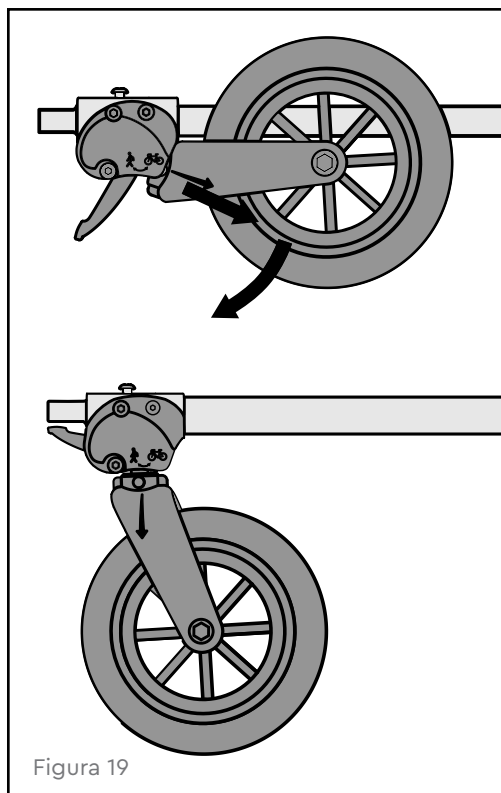
1. Tire de la horquilla de la forma mostrada (Figura 19) y luego gire la rueda completamente hacia abajo. La horquilla se fijará automáticamente en la posición bloqueada.

## Conversión al modo de remolque

1. Tire de la horquilla hacia abajo (Figura 20) y gire hacia arriba (hacia el remolque) como se muestra. La horquilla se fijará automáticamente en la posición de remolque cuando esté colocada correctamente (Figura 21b). Si la flecha blanca no está visible en el mismo lado que el gráfico MODE, significa que la rueda de la silla no está bloqueada en su lugar (Figura 21a).

### ADVERTENCIA

En el modo de remolque, la rueda de la silla siempre debe estar plegada antes de remolcar con una bicicleta. Si no colocase la rueda de la silla en el modo de remolque antes de montar en bicicleta, podría provocar un accidente y lesiones graves o la muerte.



## Montaje/ajuste del asidero

1. Inserte el asidero en el receptor, presione los dos botones amarillos del receptor del asidero e inserte este más allá de los botones (Figura 22).
2. Suelte los botones e introduzca el asidero hasta que encaje en su lugar (Figura 22).
3. El asidero tiene dos posiciones de altura. Presione cada botón del receptor del asidero para deslizar este al ajuste deseado (Figura 22). Asegúrese de que ambos lados del asidero estén a la misma altura.
4. Antes del uso, empuje hacia abajo el asidero y luego tire ligeramente hacia arriba de él para asegurarse de que esté fijado en su lugar.
5. Para desmontar el asidero, presione ambos botones y deslícelo hacia afuera completamente.

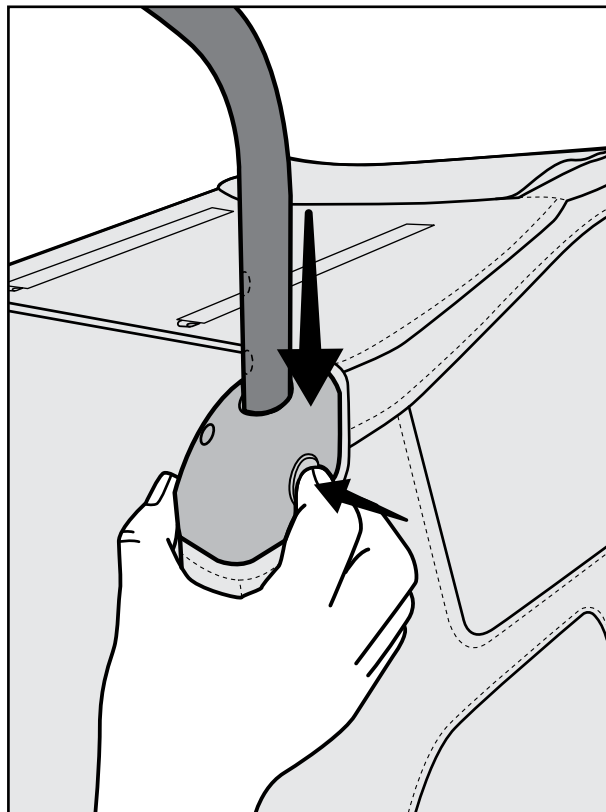


Figura 22

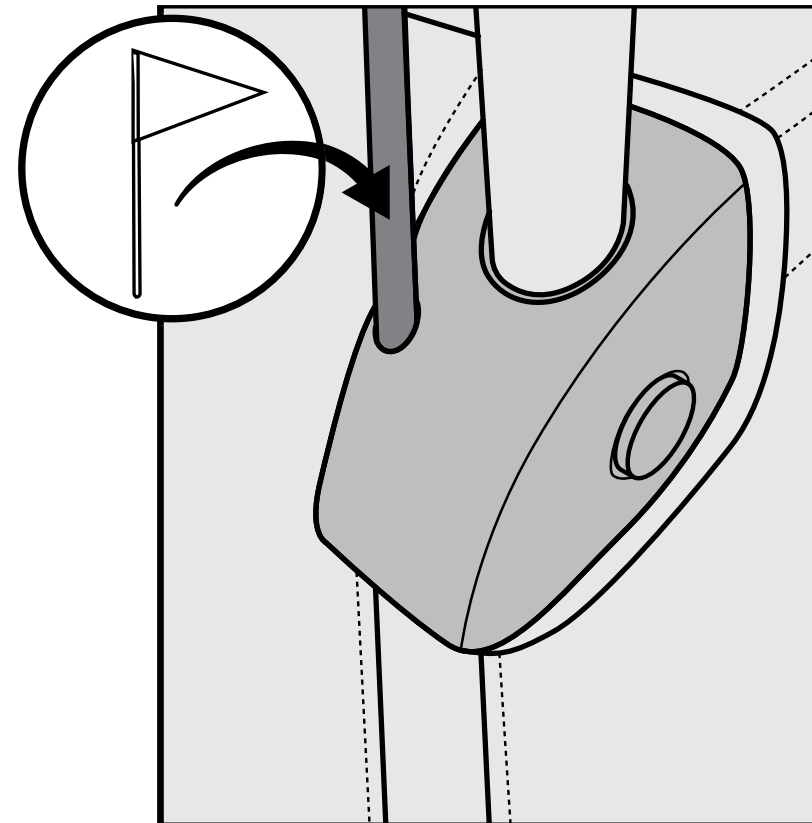


Figura 23

## Instalación de la bandera

1. Inserte la bandera en el soporte para la bandera ubicado en cualquiera de los receptores del asidero. Asegúrese de que esté completamente insertada (Figura 23).

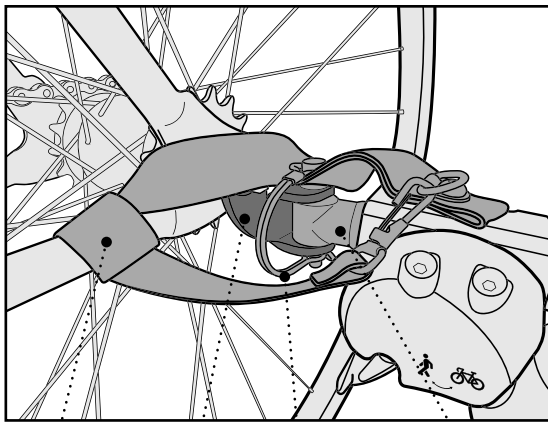
## Enganche del remolque

1. **Eje con palanca de liberación rápida o tuerca:** quite la palanca de liberación rápida o la tuerca del lado izquierdo del eje de la rueda trasera de la bicicleta. Coloque el enganche entre la palanca de liberación rápida o la tuerca y el cuadro (Figura 24). Apriete la palanca de liberación rápida o la tuerca conforme a las recomendaciones del fabricante. El enganche puede permanecer en la bicicleta cuando el remolque está desmontado. Consulte en [Burley.com](http://Burley.com) los accesorios diseñados para ayudarle a instalar el remolque en la bicicleta.

**Eje pasante:** visite [Burley.com](http://Burley.com) para consultar cómo montarlo e instalarlo correctamente en la bicicleta (Figura 25).

2. **Acoplar la barra de remolque al enganche:** inserte el conector flexible entre las dos pestañas del enganche (Figura 26), de modo que los orificios estén alineados. Inserte el pasador de sujeción y cierre el retén (Figura 27). Enrolle la cinta de seguridad alrededor del cuadro de la bicicleta dos veces y engánchela al anillo en D de la barra de remolque (Figura 28). La cinta y el enganche no deben hacer contacto con los radios.

3. **Quitar la barra de remolque del enganche:** Desabroche la correa de seguridad de la anilla D y desenróllela del cuadro de la bicicleta. Abra el retén del pasador de retención y quítelo. A continuación, saque el conector flexible del enganche.



Cinta de seguridad  
Enganche  
Pasador de sujeción  
Conector flexible

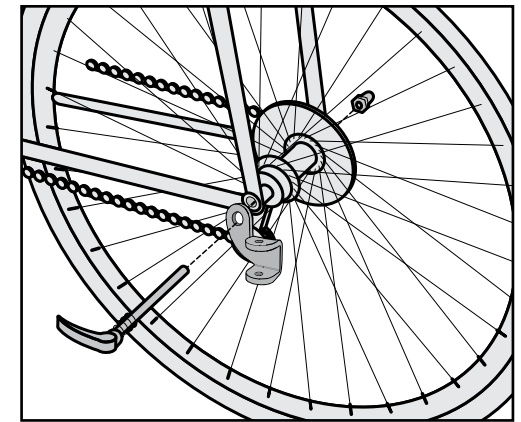


Figura 24



Figura 25

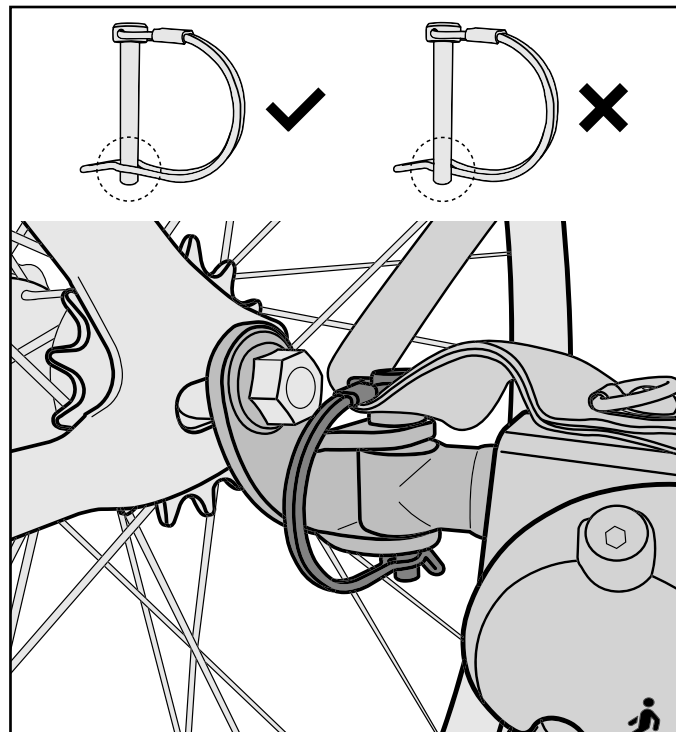


Figura 27

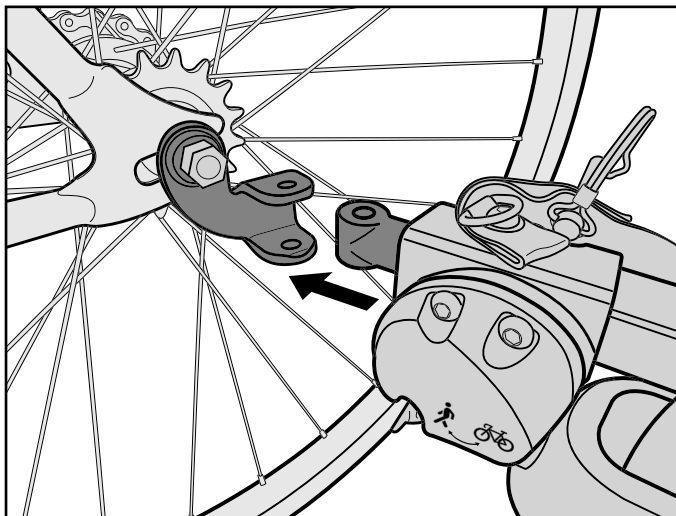


Figura 26

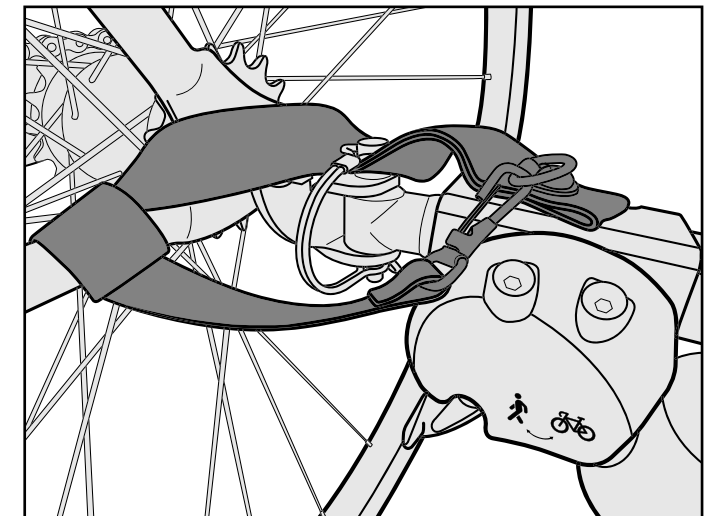


Figura 28



## Asegurar la capota

1. La ventana de malla delantera se puede quitar de la parte delantera del remolque. La ventana se puede enrollar y sujetar insertando los ganchos de la puerta en las presillas reflectantes de la posición ② (Figura 29).
2. Para mayor seguridad de la mascota durante el transporte, la ventana de malla delantera se puede abrir y enrollar desde el techo del remolque. Sujete la ventana insertando los ganchos de la puerta en las presillas reflectantes de la posición ① (Figura 30).
3. La cubierta de la puerta trasera del remolque se puede enrollar y fijar insertando los ganchos para colgar en las presillas reflectantes de la posición ③ (Figura 31).
4. La ventana de malla de la puerta trasera se puede enrollar y sujetar insertando los ganchos para colgar en las presillas reflectantes de la posición ③ (Figura 32).

NOTA: Asegúrese de que las puertas estén bien sujetas antes de usar el remolque en modo bicicleta o silla de paseo.

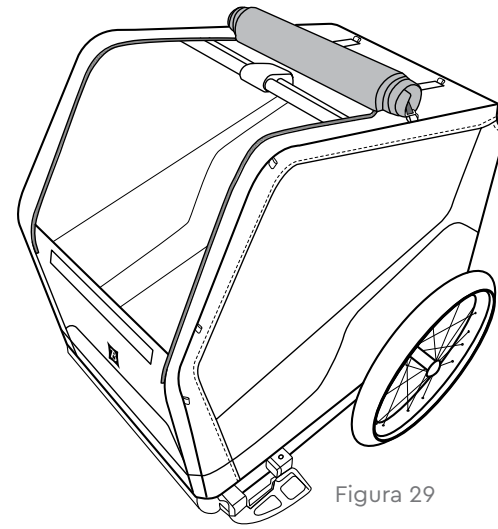


Figura 29

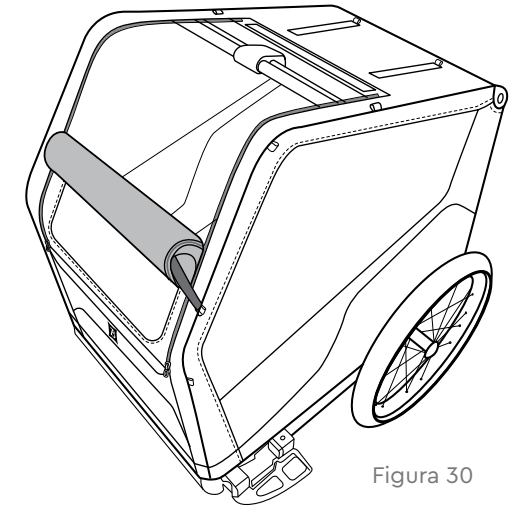
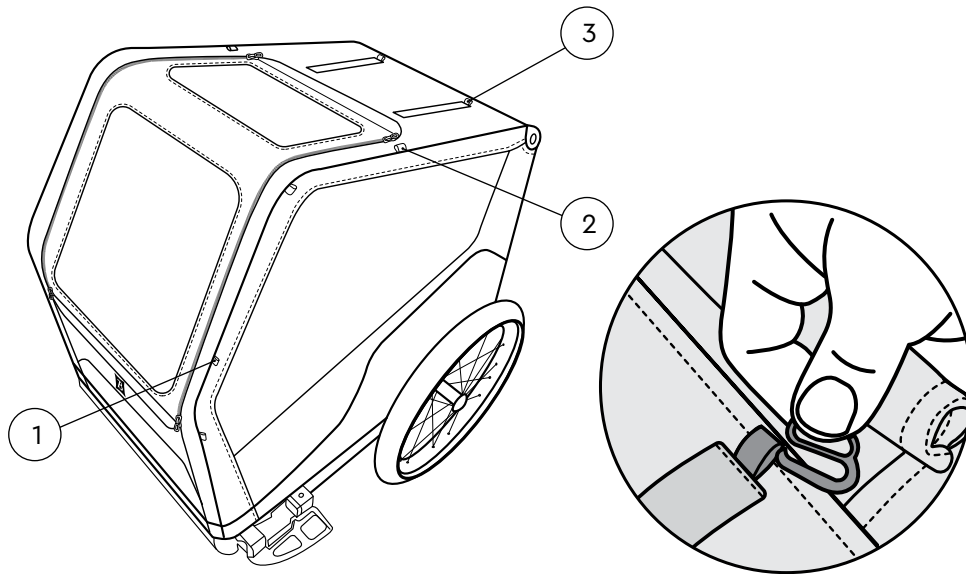


Figura 30



Ubicaciones de las presillas reflectantes

Detalle de gancho y presilla

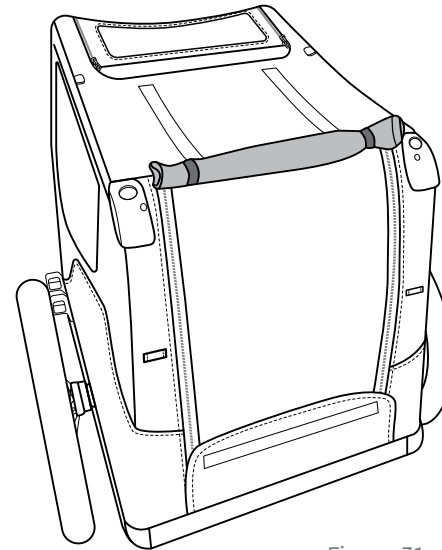


Figura 31

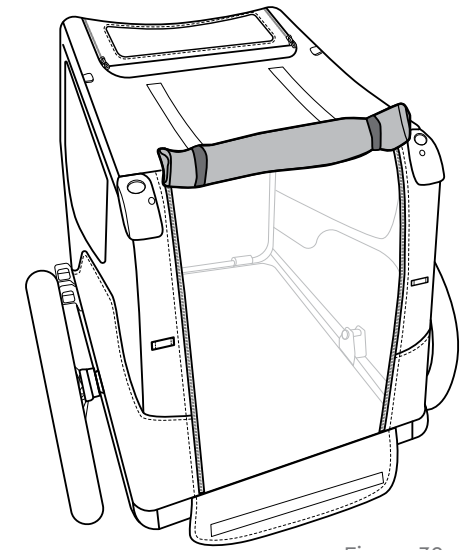


Figura 32

## Desmontaje/limpieza del tablero del suelo del suelo

1. Desde la parte trasera del remolque, empuje la parte inferior de la tabla del piso hacia arriba, hacia el interior del remolque, en ambas esquinas, hasta que se fije a presión más allá del retenedor de plástico.
2. Gire el tablero del suelo hacia arriba y deslícelo hacia la parte posterior del remolque.
3. Retire y lave a mano las partes de tela con agua caliente y jabón o un detergente suave. NO use lejía ni disolventes.
4. Para volver a montarlo, deslice la parte delantera por debajo de los tubos del cuadro delantero y gire hacia abajo.
5. Empuje el tablero del suelo firmemente hacia abajo y asegúrese de que todos los cierres estén acoplados a la tabla de piso.

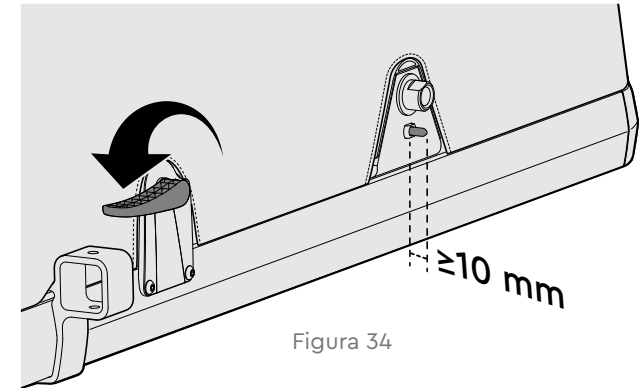
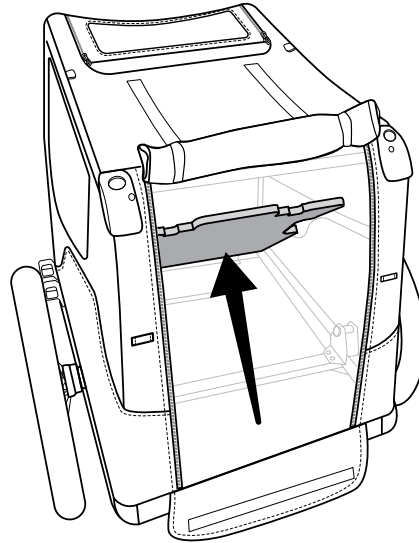


Figura 34

## Ajuste del freno

1. Quite las ruedas y active la palanca de freno (Figura 34).
2. Los pernos de freno deben sobresalir 10 mm como mínimo (Figura 34). Si sobresalen menos de 10 mm, tendrán que ajustarse para garantizar un funcionamiento correcto del freno.
3. Para ajustar el saliente de la varilla del freno:
  - a. Desmonte el tablero del suelo.
  - b. Levante la tapa de los cables de freno en el lado de la palanca de freno del remolque (Figura 35)
  - c. Ajuste el cable girando el regulador de tensión correspondiente en el sentido contrario a las agujas del reloj para tensar el cable (Figura 36). Gire el regulador de tensión izquierdo para el freno del lado izquierdo y el regulador de tensión derecho para el freno del lado derecho.
  - d. Gire el regulador de tensión hasta que el perno sobresalga 10 mm como mínimo.
  - e. Fije el regulador apretando la tuerca contra la carcasa de plástico con una llave de 8 mm (Figura 37).
4. Suelte el freno y acciónelo para comprobar que funciona correctamente.
5. Baje la tapa del cable del freno y monte el tablero del suelo.

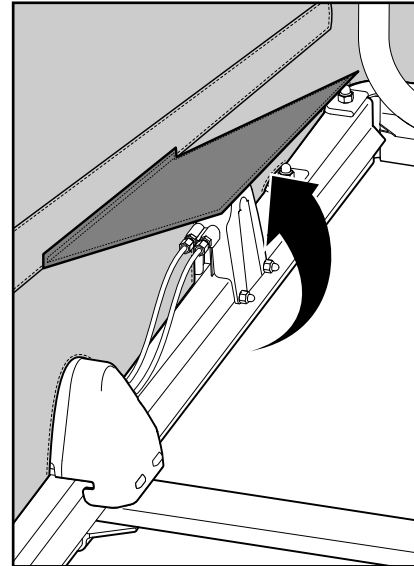


Figura 35

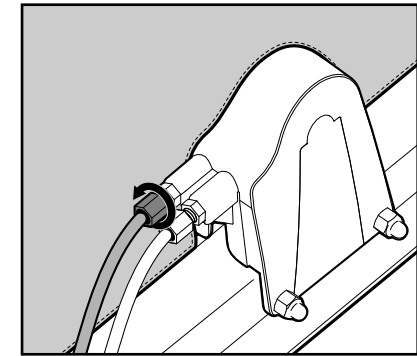


Figura 36

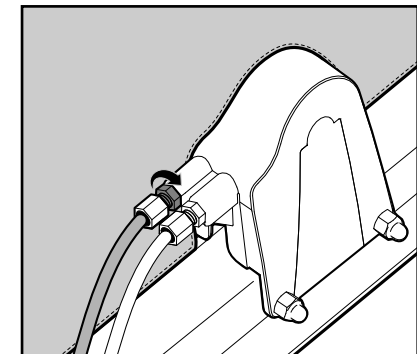
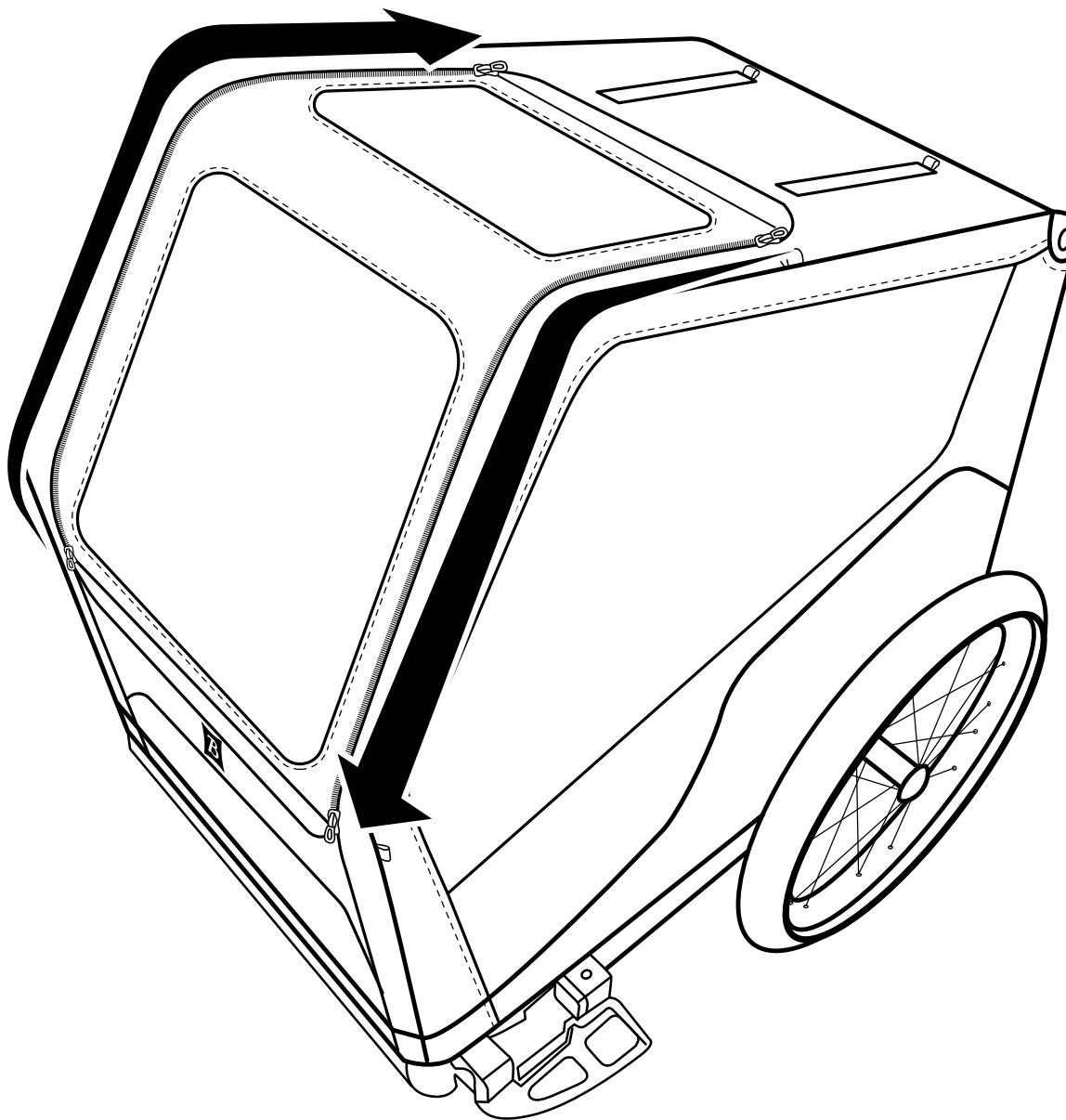


Figura 37

## Desmontaje de la ventana delantera

1. La ventana delantera se puede desmontar para sustituirla o repararla.
2. Abra la cremallera del lado derecho hasta la parte SUPERIOR de la ventana y retire los tiradores del remolque (Figura 39).
3. Abra la cremallera del lado izquierdo hasta la parte INFERIOR de la ventana y retire los tiradores de la cremallera del remolque (Figura 39).
4. Para volver a montar la ventana, vuelva a colocar la cremallera del lado derecho en la parte SUPERIOR de la ventana y vuelva a colocar la cremallera del lado izquierdo en la parte INFERIOR de la ventana.



## Antes de circular con la bicicleta:

### Antes de cada uso, compruebe que:

1. Las ruedas están correctamente fijadas al remolque.
2. Los neumáticos están inflados a la presión recomendada indicada en el lateral del neumático.
3. La barra de remolque está correctamente asegurada al remolque.
4. El enganche está sujeto correctamente a la bicicleta.
5. Los retenes de los pasadores de bloqueo del enganche y la barra de remolque están asegurados.
6. La cinta de seguridad del enganche está montada correctamente.
7. El peso de la barra de remolque en el enganche es superior a 1 kg (2 lbs), pero no supera los 9 kg (20 lbs) con el remolque totalmente cargado.
8. La bicicleta funciona perfectamente, sobre todo los frenos y los neumáticos (consulte las instrucciones del fabricante de la bicicleta).
9. La bandera de seguridad está instalada.
10. La iluminación es adecuada para las condiciones de circulación.
11. Compruebe que el freno de estacionamiento esté liberado antes de empezar a conducir.
12. La capota está instalada y cerrada.
13. La carga no excede:
  - Bark Ranger: 34 kg (75 lb)
  - Bark Ranger XL: 45 kg (100 lb)

### Comprobaciones mensuales:

- Compruebe si hay daños en la barra de remolque, el enganche, los tubos del chasis, el conector flexible y las piezas.
- Los conectores flexibles deben cambiarse cada tres años para asegurarse de que funcionan con seguridad.
- Compruebe que los tornillos están apretados.
- Inspeccione los neumáticos y las ruedas para comprobar la presencia de grietas y desgaste.
- Inspeccione las partes de tela en busca de jirones, abrasiones y herrajes dañados o que falten.

Póngase en contacto con su distribuidor autorizado de Burley para la sustitución de piezas dañadas o desgastadas.

Respete siempre la normativa local sobre peso máximo del remolque.

## Mantenimiento de su producto Burley

### Almacenamiento:

Para una mayor vida útil del producto, guarde el remolque en interior. El remolque no debería almacenarse a temperaturas por debajo de los -23 °C (-10 °F) o por encima de los 65 °C (150 °F).

Si el remolque se utiliza en un entorno con mucha humedad salina (playa o caminos con sal), se recomienda encarecidamente lavar el remolque con un difusor después de su uso antes de almacenarlo.

### Cuidado de los tejidos:

Lave a mano las partes de tela con agua caliente y jabón o detergente suave. NO use lejía ni disolventes. Seque con un paño y almacene lejos de la luz solar directa en una zona seca y bien ventilada.

## Garantía limitada de Burley:

Este remolque de Burley tiene garantía desde la fecha de adquisición frente a defectos en materiales y mano de obra: un año en piezas de tejido; cinco años en bastidor y piezas de plástico. Como prueba de compra es necesario disponer de un recibo de compra o venta que muestre la fecha de adquisición.

Si se detecta un defecto en materiales o de fabricación durante el período de Garantía limitada, repararemos o sustituiremos el producto, según nuestro criterio exclusivo, sin coste para usted. Esta garantía tiene validez únicamente en el país donde se adquirió el producto.

La Garantía limitada solo cubre al comprador original de este producto y no es transferible a nadie que obtenga la propiedad del producto de manos del comprador original.

La Garantía limitada no cubre las reclamaciones derivadas de un uso inadecuado, incumplimiento de las instrucciones, instalación, mantenimiento y uso inadecuados, abuso, alteración, implicación en un accidente y desgaste normal. La Garantía limitada no cubre los productos que se utilizan en operaciones de alquiler y Burley no se responsabiliza ante ningún daño ocasional o comercial relacionado con dicho uso.

EN LA MEDIDA EN QUE LO PERMITA LA LEY, ESTA GARANTÍA LIMITADA ES EXCLUSIVA Y SUSTITUYE A CUALQUIER OTRA GARANTÍA, ESCRITA O VERBAL, INCLUIDA, ENTRE OTRAS, CUALQUIER GARANTÍA EXPRESA O IMPLÍCITA SOBRE LA COMERCIABILIDAD O APTITUD PARA UN FIN PARTICULAR. La duración de cualquier garantía implícita, incluida cualquier garantía implícita sobre la comerciabilidad o la aptitud para un fin particular que pueda existir durante el periodo de la garantía expresa, queda limitada expresamente al periodo de garantía limitada.

Algunos estados y países no permiten limitaciones sobre la duración de una garantía limitada implícita; por tanto, es posible que la limitación y las exclusiones indicadas anteriormente no sean aplicables en su caso.

EL RECURSO EXCLUSIVO DEL CLIENTE POR EL INCUMPLIMIENTO DE ESTA GARANTÍA O DE CUALQUIER GARANTÍA IMPLÍCITA O DE CUALQUIER OTRA OBLIGACIÓN QUE SURJA CONFORME A LA LEY ESTARÁ LIMITADO SEGÚN LO ESPECIFICADO ANTERIORMENTE PARA REPARAR O REEMPLAZAR, ÚNICAMENTE A DISCRECIÓN NUESTRA. EN TODOS LOS CASOS, LA RESPONSABILIDAD POR DAÑOS ESPECIALES, FORTUITOS E INDIRECTOS ESTÁ EXPRESAMENTE EXCLUIDA.

Algunos estados no permiten la exclusión de la limitación de daños fortuitos o indirectos; por tanto, es posible que la limitación mencionada no sea aplicable en su caso.

Nuestros productos tienen garantías que no pueden ser excluidas en virtud de los Derechos del consumidor de Australia. Tiene derecho a la sustitución o al reembolso en caso de fallo importante o a compensación por daños y perjuicios razonablemente previsibles. También tiene derecho a la reparación o sustitución y el producto no tiene una calidad aceptable o el fallo no equivale a un fallo importante.

Esta garantía limitada le otorga derechos legales específicos y usted puede tener otros derechos que varían de un estado a otro o de un país a otro.

Para obtener información sobre el servicio de garantía o las piezas de recambio en los EE. UU. o Canadá, póngase en contacto con Burley directamente llamando al 800-311-5294 o enviando un correo electrónico a burley@burley.com. Para obtener información sobre el servicio de garantía o las piezas de recambio fuera de los EE. UU. y Canadá, póngase en contacto con el establecimiento de compra sobre el servicio de garantía. Esté preparado para proporcionar el modelo del producto, el número de serie y una descripción del problema de la garantía.

Algunas piezas de recambio pueden comprarse una vez finalizada esta garantía limitada. Visítenos en [www.burley.com](http://www.burley.com) o llámenos al 541-687-1644 si desea más información.





BURLEY.COM

**ABOUT BURLEY:**

From everyday errands to extraordinary expeditions, Burley has helped folks do more by bike since 1978. Based in Eugene, Oregon, Burley designs trusted, versatile bike equipment for carrying everything you need and love.

**KONTAKT MIT BURLEY:**

Ob Sie Ihr Fahrrad ganzjährig fahren oder eher ein Schönwetterfahrer sind, Burley teilt Ihren Enthusiasmus, das Beste aus Ihrem Fahrrad zu holen. Vielen Dank für Ihren Kauf. Wir wissen es zu schätzen.

**RESTEZ CONNECTÉ AVEC BURLEY:**

Que vous enfourchiez votre vélo toute l'année ou uniquement par beau temps, Burley partage votre enthousiasme à profiter au maximum de votre vélo. Merci pour votre confiance. Nous l'apprécions.

**CONTACTO CON BURLEY:**

Tanto si su hijo usa su bicicleta todo el año como si lo hace solo cuando el tiempo es bueno, Burley comparte su entusiasmo por aprovechar su bicicleta al máximo. Gracias por elegirnos. Se lo agradecemos.

**PRODUCT IDENTIFICATION:**

If you have any questions about the model name or year of your Burley, please consult our product identification web page: [burley.com/support/what-year-is-my-burley](http://burley.com/support/what-year-is-my-burley)

**PRODUKTKENNZEICHNUNG:**

Wenn Sie Fragen bezüglich des Namens oder Jahres Ihres Burley-Modells haben, besuchen Sie bitte unsere Produktidentifikations-Webseite: [burley.com/support/what-year-is-my-burley](http://burley.com/support/what-year-is-my-burley)

**IDENTIFICATION DU PRODUIT :**

En cas de questions sur le nom ou l'année du modèle de votre produit Burley, veuillez consulter notre page Web d'identification de produit : [burley.com/support/what-year-is-my-burley](http://burley.com/support/what-year-is-my-burley)

**IDENTIFICACIÓN DEL PRODUCTO:**

Si tiene alguna pregunta acerca del nombre o año del modelo de su Burley, consulte nuestra página web de identificación de producto: [burley.com/support/what-year-is-my-burley](http://burley.com/support/what-year-is-my-burley)

**BURLEY DESIGN**

1500 Westec Drive  
Eugene, OR 97402

P. 541.687.1644 or 800.423.8445  
F. 541.687.0436  
[burley@burley.com](mailto:burley@burley.com)

 [twitter.com/burleydesign](https://twitter.com/burleydesign)

 [facebook.com/burleydesign](https://facebook.com/burleydesign)

 [youtube.com/burleytrailers](https://youtube.com/burleytrailers)

 [instagram.com/burleydesign](https://instagram.com/burleydesign)

 [pinterest.com/burleydesign](https://pinterest.com/burleydesign)

 [burley.com](http://burley.com)