

BURLEY®

OWNER'S INSTRUCTION & SAFETY MANUAL



CHILD TRAILER MANUAL

Bee®



**IMPORTANT: READ CAREFULLY AND
KEEP FOR FUTURE REFERENCE**

**IMPORTANT: A LIRE ATTENTIVEMENT
ET À CONSERVER POUR RÉFÉRENCE
ULTÉRIEURE**

**WICHTIG: BITTE SORGFÄLTIG LESEN
UND FÜR SPÄTERES NACHLESEN
UNBEDINGT AUFBEWAHREN**

**IMPORTANTE: LEER DETENIDAMENTE
Y MANTENERLAS PARA FUTURAS
CONSULTAS**

1. Safety Guidelines
2. Box Contents and Required Tools
2. Burley Trailer Guide
3. Burley Hitch Guide
3. Opening Your Trailer
3. Installing the Wheel Guards
3. Attaching the Wheels
4. Attaching the Cover and Flag
4. Installing the Tow Bar
5. Hooking up Your Trailer
5. Securing Your Child
6. Before You Ride
6. Maintaining Your Burley
6. Burley Limited Warranty

Important

Before using your trailer, please familiarize yourself with this Burley manual. For questions and additional information, please contact your authorized Burley dealer or visit **www.burley.com**.

7. Sicherheitsrichtlinien
8. Verpackungsinhalt und benötigtes Werkzeug
8. Gebrauchsanleitung Burley-Anhänger
9. Gebrauchsanleitung Burley-Anhängerkupplung
9. Öffnen Ihres Anhängers
9. Montage der Radabdeckungen
9. Befestigung der Räder
10. Anbringen der Abdeckung und des Wimpels
10. Montage der Zugstange
11. Ankoppeln Ihres Anhängers
11. Sicherung Ihres Kindes
12. Vor der Fahrt
12. Pflege Ihres Burley-Anhängers
12. Begrenzte Gewährleistung von Burley

Wichtig

Bevor Sie Ihren Anhänger benutzen, machen Sie sich bitte mit dieser Gebrauchsanleitung von Burley vertraut. Bei Fragen oder für zusätzliche Informationen, kontaktieren Sie bitte Ihren autorisierten Burley-Händler oder besuchen Sie uns unter **www.burley.com**.

13. Consignes de sécurité
14. Contenu de la boîte et outils nécessaires
14. Guide de remorque Burley
15. Guide d'attelage Burley
15. Ouverture de la remorque
15. Installation des garde-roues
15. Fixation des roues
16. Fixation du toit et du fanion
16. Installation de la barre de remorquage
17. Accrochage de la remorque
17. Installation de votre enfant
18. Avant de partir
18. Entretien de votre remorque Burley
18. Garantie limitée Burley

Important

Avant d'utiliser votre remorque, veuillez lire ce manuel Burley. Pour plus d'informations et si vous avez des questions, veuillez contacter votre revendeur agréé Burley ou visiter le site internet **www.burley.com**.

19. Directrices de seguridad
20. Contenidos de la caja y herramientas necesarias
20. Guía del remolque Burley
21. Guía del enganche Burley
21. Cómo abrir su remolque
21. Instalación de los protectores de las ruedas
21. Colocación de las ruedas
22. Colocación de la cubierta y la bandera
22. Instalación de la barra de remolque
23. Conexión de su remolque
23. Asegurar al niño
24. Antes de usar
24. Mantenimiento de su Burley
24. Garantía limitada de Burley

Importante

Antes de usar su remolque, lea atentamente este manual de Burley. Si tiene cualquier pregunta o necesita información adicional, póngase en contacto con su distribuidor autorizado Burley o visite **www.burley.com**.

WARNING

Failure to comply with the instructions and warnings in this manual could result in serious injury or death of the passenger or rider.

- Never leave your child unattended
- Ensure that all locking devices are engaged before use
- To avoid injury ensure that your child is kept away when unfolding and folding this product
- Do not let your child play with this product
- This seat is not suitable for children under 6 months (unless using a Burley approved accessory)
- Always use the restraint system
- This product is not suitable for running or skating
- When using double trailer with one child, always seat the child in the right side position. (Note: references to the left or right refer to standing behind the trailer looking forward)
- Make sure children cannot put fingers, clothing, toys or shoelaces into the wheel spokes or any other moving parts
- Check comfort and safety of children frequently, especially during hot or cold weather
- Parcels or accessory items, or both, placed on the unit may cause the unit to become unstable. Unstable hazardous conditions may exist if package carry accessories are added onto the product.
- Do NOT install a car seat or any other seating device in the product.
- Do NOT use with a total load that exceeds the weight limits, or more children than the vehicle has been designed for. If recommended load is exceeded, the unit may become unstable.
- DO NOT make modifications to the product
- DO NOT over-inflate the tires. Failure to comply with the rated tire sidewall pressure may lead to explosion of the tire and possible injury.
- Only use a Burley approved accessory. When attaching an accessory to your trailer make sure to read and follow all warnings and instructions that are included with the accessory kit.

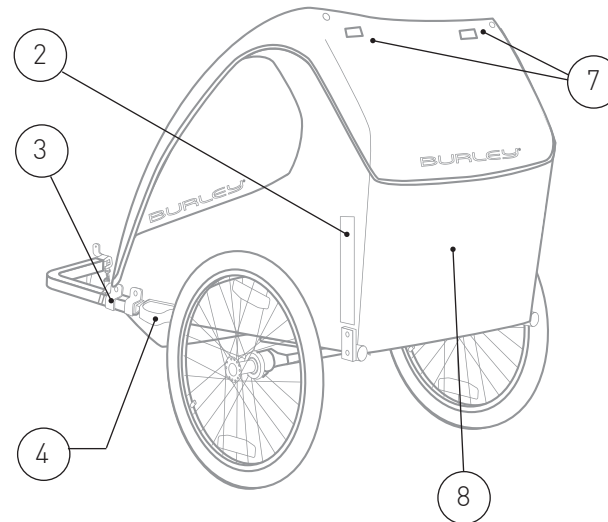
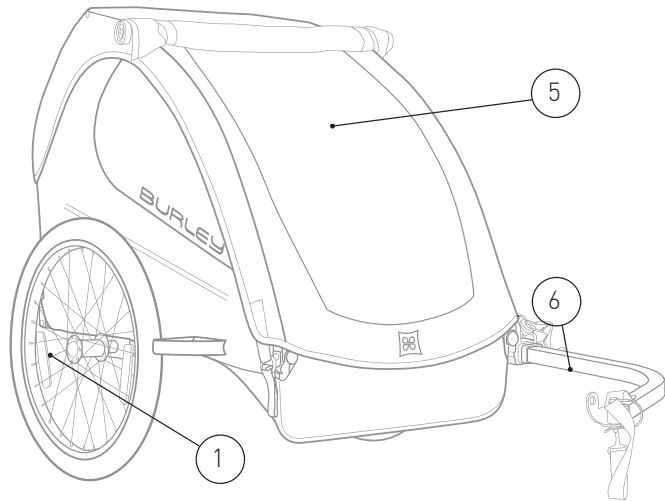
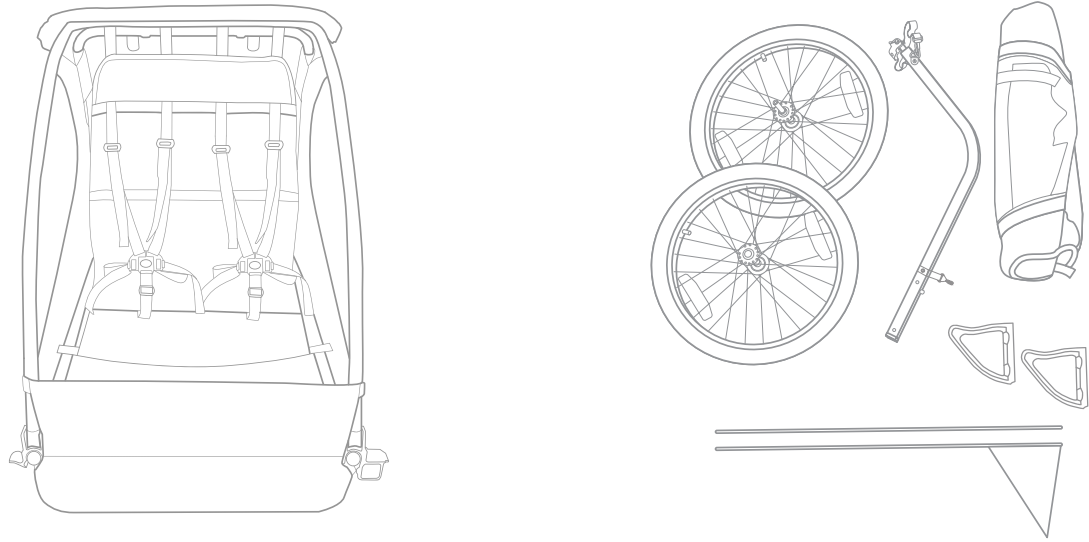
- It is recommended that a qualified bicycle mechanic does a safety check of the towing bicycle before attaching the trailer.
- Before each ride, be sure the trailer does not interfere with braking, pedaling or steering of the bicycle.
- It is recommended that a rearview mirror be used on the bike.
- Always comply with local regulations when using the trailer on public roadways.
- Never ride a bicycle at night without adequate lighting.
- Obey all local legal requirements for lighting.
- The red reflectors that came with the trailer must remain attached and visible on the rear of the trailer at all times.
- If you need to come to a stop for any reason, such as to check on your child, to make adjustments or to address a flat tire, be sure to pull off of the road completely.
- When using your trailer, you are towing extra weight and a bigger vehicle. You must allow more time for braking, slowing, stopping and starting, and allow more room for turns and passageways. Experiment with the loaded trailer in an uncongested area until you become familiar with how your bike handles towing a trailer.
- Avoid rocks, curbs, hard braking and sudden swerving. Avoid riding over obstacles with one wheel, as this may cause the trailer to tip over.
- Use good judgment when deciding if weather, road or traffic conditions are safe to use a Burley. Recommended temperature limits for using a Burley trailer are 20°F to 100°F (-7°C to 38°C).
- Children must be able to sit upright without support and have adequate neck strength to support their heads before being carried in a trailer. Consult a pediatrician to determine if a child is of sufficient developmental age to be carried in a bicycle trailer
- Always ride with the cover down to protect children from flying debris
- Passengers must wear a bicycle helmet that meets applicable safety standards
- The rider of the bicycle must be at least 16 years old
- Bicycle trailers pulled by an EPAC can be restricted by law.
- Recommended speed limits:
 - 15 mph (24 km/h) on smooth, straight roads
 - 5 mph (8 km/h) when turning or on uneven roads
- Trailer weight must be properly distributed for safe handling. The downward force at the end of the tow bar, where it meets the bike, should be between 2lbs and 20 lbs. To measure this, load your trailer and place next to bathroom scale. Step on scale and note your weight. While on scale, lift up the end of the tow bar 1 foot off the ground and note weight again. The weight difference is the downwards force on the tow bar. If the weight is too low, the rear wheel of the bicycle could lose traction. If it is too high the hitch may be overloaded.

Box Contents:

1 flag, 2 wheels, 1 tow bar, 1 cover, 1 trailer

Required Tools:

5mm Hex key (included)

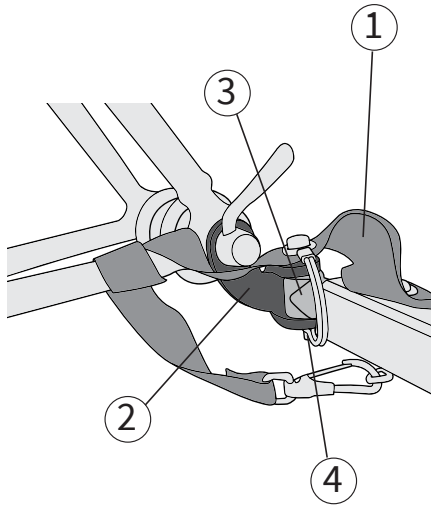


Burley Trailer Guide:

1. Push-button release wheel
2. Flag pocket
3. Tow bar receiver
4. Wheel guard
5. Cover
6. Tow bar
7. Frame latches (under cover)
8. Identification of trailer model

Burley Hitch Guide:

1. Safety strap
2. Hitch
3. Flex connector
4. Retaining pin



Opening Your Trailer

1. Raise front frame tube and rear frame tube from inside the trailer (Figure 1) until they sit together on the plastic saddles (Figure 2).
2. Lock bars together by pushing down on latches (Figure 3).

Closing Your Trailer

1. Remove Wheels.
2. Under cover (Figure 3), lift left and right red latches to release frame tubes.
3. Fold flat.

WARNING

Care must be taken when folding and unfolding to prevent finger entrapment.

Figure 1

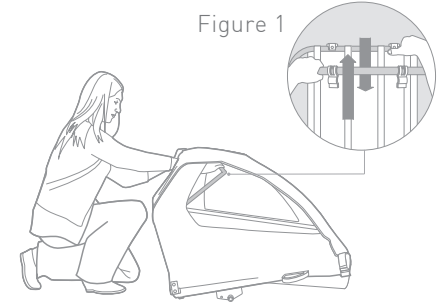
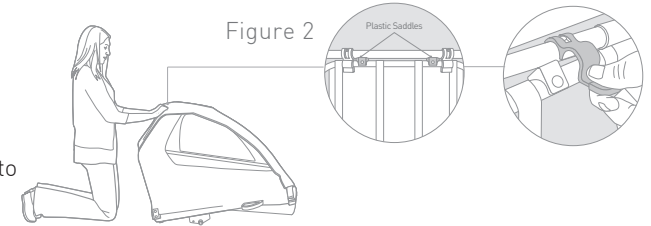


Figure 3



Installing the Wheel Guards

1. Insert wheel guard bolts through frame tube. Match holes in wheel guards to bolts. Tighten securely with hex key (Figure 4).
2. Repeat for wheel guard on other side of trailer.

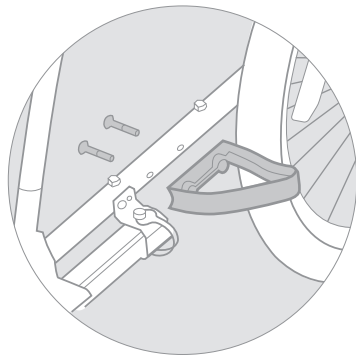


Figure 4

Attaching the Wheels

1. Push in the rubber button on the outside of the wheel hub (Figure 5).
2. Insert wheel axle into axle receiver, and then release the button. Pull firmly on wheel to confirm the axle is fully engaged. (Figure 6)

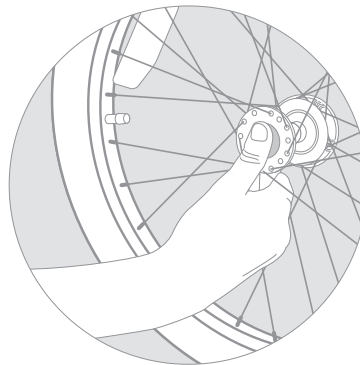


Figure 5

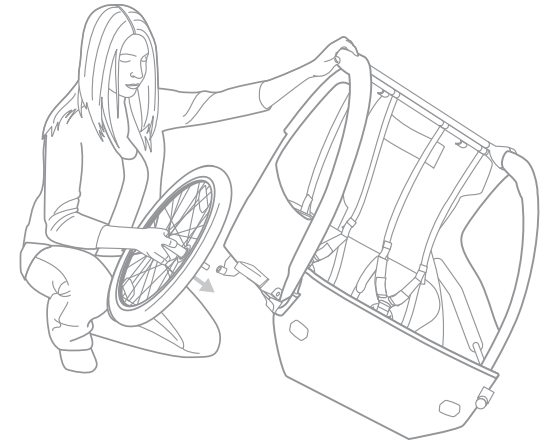


Figure 6

Attaching the Cover and Flag

1. Attach cover to trailer using snaps (Figure 7).
Slip the cover D-rings over the hooks at the front corners off the trailer (Figure 8).
2. Assemble the flagpole sections together, then slide safety flag into the flag pocket on the side panel (Figure 7).

Note: Fabric loops are located on the back of the cover and should be used to attach additional lights and/or reflectors.

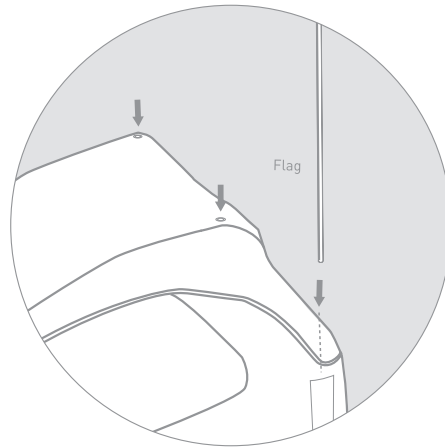


Figure 7

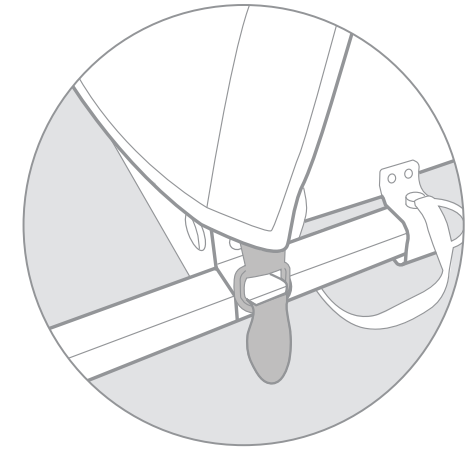


Figure 8

Installing the Tow Bar

1. Slide the tow bar into the tow bar receivers until hole A is aligned with hole B (Figure 9). The red safety strap bracket should be flush with the front of the tow bar mount.
2. Insert the retaining pin from the top through the aligned holes (Figure 10).
3. Make sure the retaining pin has locked properly as shown (Figure 11 & 12).
4. Clip the receiver safety strap to the D-ring on the trailer frame (Figure 13).

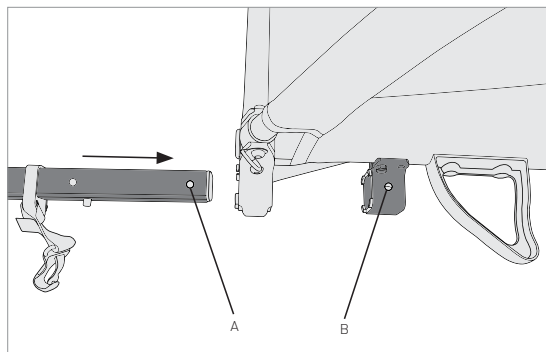


Figure 9

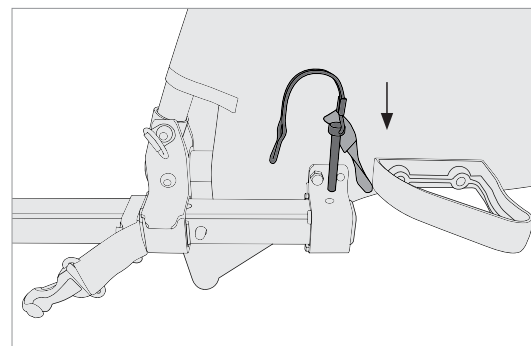


Figure 10

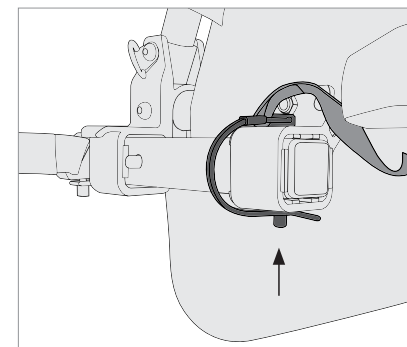


Figure 11

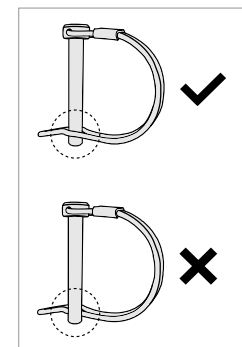


Figure 12

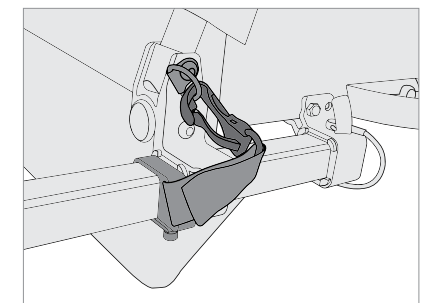


Figure 13

Hooking up Your Trailer

1. **Quick Release or Nutted Axle:** Remove quick-release skewer or nut from the left side of bike's rear wheel axle. Install hitch between quick-release or nut and frame (Figure 14). Tighten the quick-release or nut following manufacturer's recommendation. The hitch can remain on the bike when trailer is removed. Consult Burley.com for accessories designed to help fit your trailer to your bike.

Thru Axle: Consult Burley.com to obtain proper fit and installation to your bike (Figure 15).

2. **Hooking the tow bar to the hitch:** Insert flex connector in between the two holes on the hitch. Insert retaining pin and close retainer. Wrap safety strap around the frame of the bike twice and latch to the D-ring on the tow bar (Figure 16).
3. **Removing the tow bar from the hitch:** Unlatch the safety strap from the D-Ring and unwrap it from the frame of the bike. Open the retainer on the retaining pin and remove it. Then remove the flex connector from the hitch.

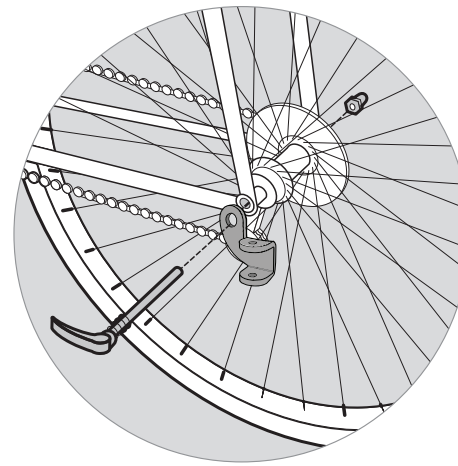


Figure 14



Figure 15

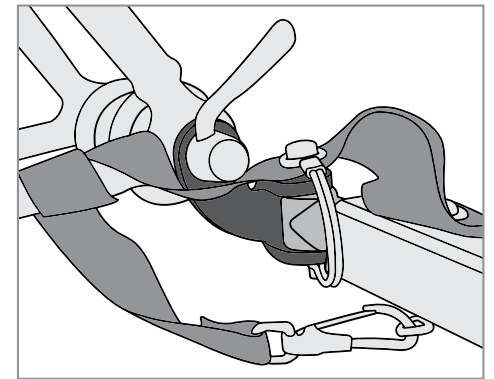


Figure 16

Securing Your Child

1. After loading, secure and adjust the harnesses. Snap shoulder straps & waist straps into 5-point harness buckle and adjust straps so they are secure (Figure 17a). Fasten and adjust lap belt(s) to fit securely.
2. To remove your children, simply press the yellow release button on the 5-point harness (Figure 17a).
3. When using double trailer with one child, always seat the child in the right side position (Figure 18).

WARNING

Avoid serious injury from falling or sliding out. Always use 5-point harness.

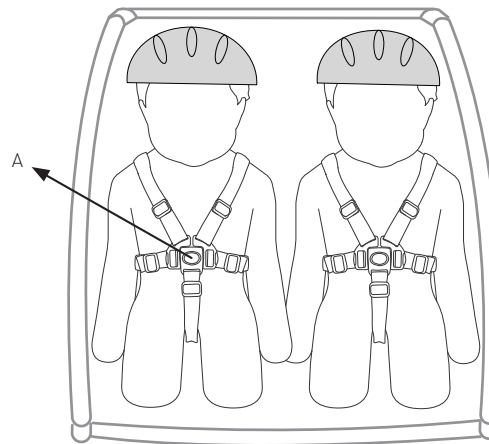


Figure 17

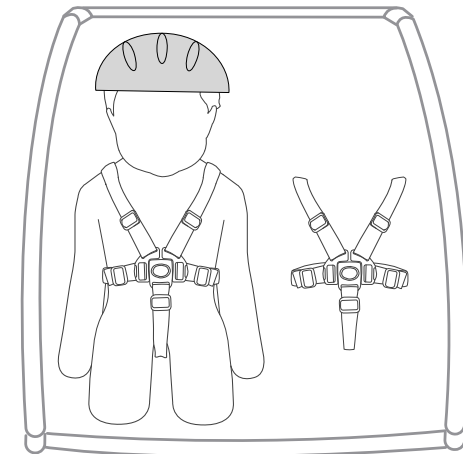


Figure 18

Before You Ride:

Check before each use:

1. Wheels are properly secured to the trailer
2. Tires are inflated to recommended pressure on the tire side wall
3. Tow bar is properly secured to the trailer
4. Hitch is properly secured to the bicycle
5. Hitch and tow bar retaining pins are secured
6. Hitch safety strap and receiver safety strap are properly installed
7. Load does not exceed 100 lbs (45 kg) for double child trailers or 75 lbs (34 kg) for single child trailers
8. Weight of tow bar at hitch is greater than 2 lbs (1 kg) but does not exceed 20 lbs (9 kg) with fully loaded trailer
9. Bicycle is in proper working order, especially brakes and tires (refer to bicycle manufacturer's instructions)
10. All passengers are wearing a helmet
11. Safety flag is in place
12. Child(ren) are properly secured with harness and lap belt
13. Cover is installed and closed

Check monthly:

- Inspect tow bar, hitch, frame tubing, flex connector and hardware for damage
 - Flex Connectors need to be serviced every 3-5 years for safe operation
- Check that bolts are tight
- Inspect tires and wheels for wear and cracks
- Inspect wheels for trueness and cracks
- Inspect fabric parts for rips, abrasions, and missing or damaged hardware

Contact your authorized Burley dealer for replacement of any damaged or worn parts.

Maintaining Your Burley

Folding the Trailer:

- Remove passengers and cargo
- Remove the tow bar and both wheels
- Release frame latches and push the rear frame under the front frame
- Place the wheels and tow bar in the trailer
- NOTE: damage to windows can occur if trailer is folded with wheels installed

Storage:

For longer product life, store trailer indoors. If trailer is stored outdoors, protect the trailer with a Burley storage cover. The trailer should not be stored at temperatures less than -10°F (-23°C) or greater than 150°F (65°C). Tires should not be stored in contact with windows as window discoloration may result.

Fabric Care:

Hand wash fabric parts with warm water and mild soap. DO NOT use bleach or solvents. Line-dry trailer cover. Wipe dry and store out of direct sunlight in a dry, well-ventilated area. Clean windows with a damp, soft cloth.

Maximum Capacities

- Nominal Load:
 - Bee (Single): 75 lb (34 kg), one child + cargo
 - Bee (Double): 100 lb (45 kg), one or two children + cargo
- Total Weight (Trailer + Load):
 - Bee (Single): 96.9 lb (43.9 kg)
 - Bee (Double): 119.9 lb (54 kg)
- Maximum Weight of Child: 40 lb (18 kg)
- Maximum standing height of child (without helmet): 41.25 in (105 cm)
- Minimum Age of Child: 12 months

Always comply with local regulations for maximum trailer weight.

Burley Limited Warranty:

This Burley trailer is warranted from the date of purchase against defects in materials and workmanship as follows: fabric parts for one year, frame and plastic parts for three years. Your original dated sales or delivery receipt showing the date of purchase is your proof of purchase.

If a defect in materials or workmanship is discovered during the Limited Warranty period, we will, at our sole option, repair or replace your product at no cost to you. This warranty is only valid in the country in which the product was purchased.

The Limited Warranty extends only to the original retail purchaser of this product and is not transferable to anyone who obtains ownership of the product from the original purchaser.

The Limited Warranty does not cover claims resulting from misuse, failure to follow the instructions, installation, improper maintenance and use, abuse alteration, involvement in an accident, and normal wear and tear. The Limited Warranty does not cover products which are used in rental operations and Burley will not be liable for any incidental or commercial damages relating to such use.

TO THE GREATEST EXTENT PERMITTED BY LAW, THIS LIMITED WARRANTY IS EXCLUSIVE AND IN LIEU OF ANY OTHER WARRANTY, WRITTEN OR ORAL, INCLUDING BUT NOT LIMITED TO ANY EXPRESS OR IMPLIED WARRANTY OF MERCHANTABILITY OR FITNESS FOR A PARTICULAR PURPOSE. The duration of any implied warranties, including any implied warranty of merchantability or fitness for a particular purpose that may exist during the express warranty period are expressly limited to the limited warranty period.

Some states and countries do not allow limitations on how long an implied limited warranty lasts; therefore, the above limitation and exclusions may not apply to you.

THE CUSTOMER'S EXCLUSIVE REMEDY FOR BREACH OF THIS LIMITED WARRANTY OR OF ANY IMPLIED WARRANTY OR OF ANY OTHER OBLIGATION ARISING BY OPERATION OF LAW OR OTHERWISE SHALL BE LIMITED AS SPECIFIED HEREIN TO REPAIR OR REPLACEMENT, AT OUR SOLE OPTION. IN ANY EVENT, RESPONSIBILITY FOR SPECIAL, INCIDENTAL AND CONSEQUENTIAL DAMAGES IS EXPRESSLY EXCLUDED.

Some states do not allow the exclusion of limitation of incidental or consequential damages, so the above limitation of exclusion may not apply to you.

Our goods come with guarantees that cannot be excluded under the Australian Consumer Law. You are entitled to a replacement or refund for a major failure and for compensation for any other reasonably foreseeable loss or damage. You are also entitled to have the good repaired or replaced if the goods fail to be of acceptable quality and the failure does not amount to a major failure.

This Limited Warranty gives you specific legal rights, and you may have other rights that vary from state to state or country.

For warranty service or replacement part information for the USA or Canada, please contact Burley directly by calling 800-311-5294 or emailing burley@burley.com. For warranty service or replacement part information outside of the USA and Canada please contact the place of purchase for warranty service. Please be prepared to provide the product model, serial number and a description of the warranty issue.

Some replacement parts may be available for purchase after this limited warranty expires. Please visit us at www.burley.com or call us at 541-687-1644 for more information.

WARNHINWEIS

Die Nichtbeachtung der Anweisungen und Sicherheitshinweise in dieser Anleitung kann zu schweren Verletzungen oder zum Tod des Fahrgastes oder Fahrers führen.

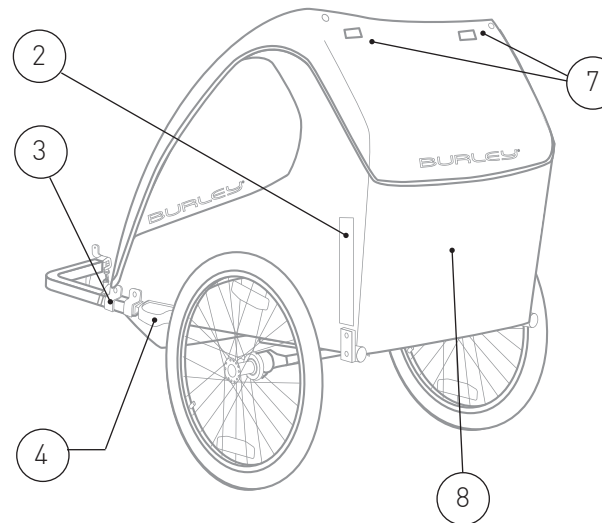
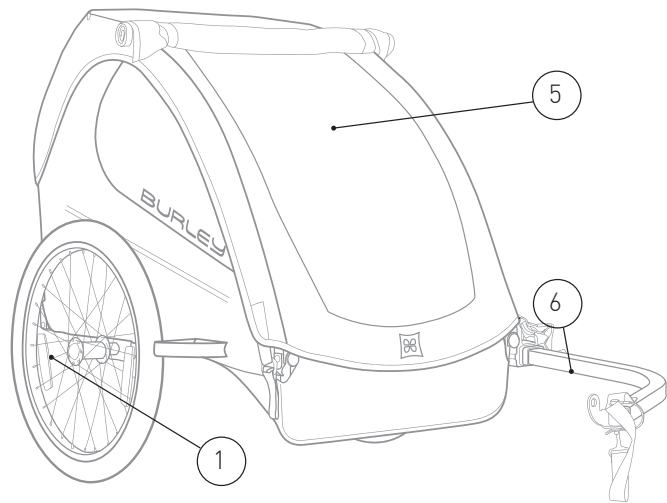
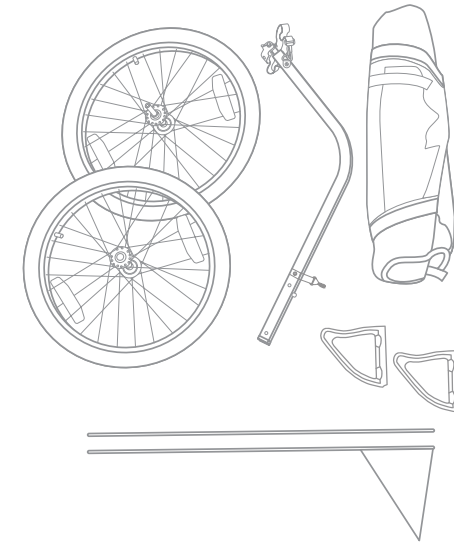
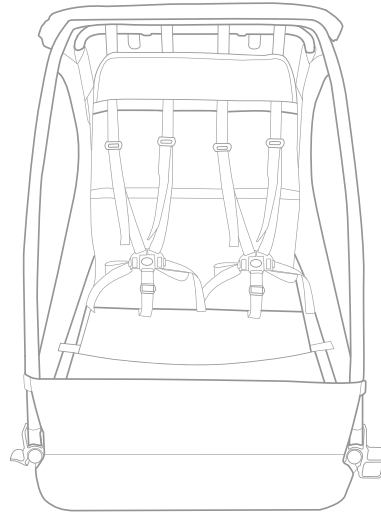
- Lassen Sie Ihr Kind nie unbeaufsichtigt
- Vergewissern Sie sich vor Gebrauch, dass alle Verriegelungen geschlossen sind
- Vergewissern Sie sich, um Verletzungen zu verhindern, dass Ihr Kind beim Aus- und Zusammenklappen dieses Produkts nicht in der Nähe ist
- Lassen Sie Ihr Kind nicht mit diesem Produkt spielen
- Dieser Sitz ist für Kinder unter 6 Monaten nicht geeignet (außer es wird ein von Burley zugelassenes Zubehör verwendet)
- Verwenden Sie stets das Rückhaltesystem (5-Punkt-Gurt)
- Dieses Produkt ist zum Joggen oder Skaten nicht geeignet
- Wird ein zweisitziger Anhänger für nur ein Kind genutzt, muss das Kind immer auf der rechten Seite sitzen. (Hinweis: Links und rechts beziehen sich auf einen Blickwinkel bei einer Position hinter dem Anhänger mit nach vorn gerichtetem Blick.)
- Gewährleisten Sie, dass die Kinder nicht mit Fingern, Kleidung, Spielzeugen oder Schnürsenkeln in die Speichen oder andere sich bewegende Teile geraten
- Komfort und Sicherheit der Kinder zu überprüfen häufig, insbesondere bei heißem oder kaltem Wetter
- Auf dem Produkt angebrachte Pakete und/oder Zubehörartikel können das Produkt instabil machen. Instabile gefährliche Bedingungen sind gegeben, wenn Zubehör zum Tragen von Packstücken auf dem Produkt angebracht wird
- Bauen Sie KEINEN Autositz oder eine andere Sitzvorrichtung in das Produkt ein
- NICHT mit einer Gesamtlast verwenden, die die Gewichtsgrenzen überschreitet, oder mit mehr Kindern, als für das Fahrzeug vorgesehen. Wird die empfohlene Last überschritten, kann das Fahrzeug instabil werden
- Nehmen Sie KEINE Änderungen am Produkt vor
- Zu hohen Reifendruck vermeiden. Nichteinhaltung des Nenndrucks für die Seitenwand kann zum Platzen des Reifens und zu möglichen Verletzungen führen.
- Nur mit von Burley zugelassenem Zubehör verwenden. Bei der Befestigung des Zubehörs an Ihrem Anhänger sollten Sie zunächst alle im Lieferumfang des Zubehör-Kits beinhalteten Warnhinweise und Anleitungen lesen.
- Es wird empfohlen, eine Sicherheitsprüfung des Zugrads von einem qualifizierten Fahrradmechaniker durchführen zu lassen, bevor der Anhänger angekoppelt wird.
- Achten Sie vor jeder Fahrt darauf, dass der Anhänger nicht die Bremsen, Pedalen oder Lenkung des Fahrrads behindert.
- Es wird empfohlen, einen Rückspiegel am Fahrrad anzubringen.
- Befolgen Sie stets lokale Regelungen bei der Nutzung des Anhängers auf öffentlichen Straßen.
- Fahren Sie das Fahrrad niemals ohne ausreichende Beleuchtung bei Nacht.
- Befolgen Sie alle lokalen Beleuchtungsvorschriften.
- Die mit dem Anhänger mitgelieferten roten Reflektoren müssen auf der Rückseite des Anhängers immer angebracht und sichtbar sein.
- Wenn Sie aus irgendeinem Grund stehen bleiben müssen, z. B. zur Überprüfung Ihres Kindes, für Einstellungen oder wegen eines platten Reifens, achten Sie darauf, die Straße vollständig zu verlassen.
- Bei Verwendung eines Anhängers ziehen Sie zusätzliches Gewicht und bewegen ein größeres Fahrzeug. Sie müssen mehr Zeit für das Bremsen, langsamer Werden, Anhalten und Anfahren einberechnen und benötigen mehr Raum in Kurven und Durchgängen. Experimentieren Sie mit dem beladenen Anhänger an einem wenig befahrenen Ort, bis Sie mit der Handhabung des Fahrrads in Verbindung mit dem Anhänger vertraut sind.
- Vermeiden Sie Steine, Bordsteine, starkes Bremsen und schnelle Richtungswechsel. Vermeiden Sie Steine, Schlaglöcher, hartes Bremsen und plötzliches Ausweichen.
- Benutzen Sie den gesunden Menschenverstand bei der Entscheidung, ob Wetter-, Straßen- oder Verkehrsbedingungen für die Nutzung eines Burley sicher sind. Empfohlene Temperaturgrenzen für die Nutzung des Burley-Anhängers sind - 7 °C bis 38 °C.
- Die Kinder müssen in der Lage sein, ohne Stütze aufrecht zu sitzen und ihren Kopf eigenständig zu halten und zu stützen, bevor sie in einem Anhänger befördert werden dürfen. Wenden Sie sich an einen Arzt, um zu bestimmen, ob ein Kind das entsprechende Alter erreicht hat, um in einem Fahrradanhänger befördert werden zu können.
- Fahren Sie immer mit herabgelassener Abdeckung, um die Kinder vor umherfliegenden Teilen zu schützen
- Passagiere müssen einen Fahrradhelm tragen, der den geltenden Sicherheitsstandards entspricht
- Der Radfahrer muss mindestens 16 Jahre alt sein
- Das Ziehen des Fahrradanhängers durch ein EPAC/E-Bike kann gesetzlichen Einschränkungen unterliegen
- Empfohlene Geschwindigkeitsbegrenzungen:
 - 24 km/h auf glatten, geraden Straßen
 - 8 km/h in Kurven oder auf unebenen Straßen
- Anhängelast müssen richtig zum sicheren Umgang verteilt werden. Die nach unten gerichtete Kraft am Ende der Anhängerkupplung, wo es das Fahrrad erfüllt, sollte zwischen £ 2 und £ 20 sein. Um dies zu messen, legen Sie Ihren Anhänger und Platz neben Personewaage. Schritt auf der Skala, und notieren Sie Ihr Gewicht. Während auf der Skala, heben Sie das Ende der Anhängerkupplung 1 Fuß über dem Boden, und beachten Sie Gewicht wieder. Der Gewichtsunterschied ist die nach unten Kraft auf der Anhängerkupplung. Falls das Gewicht zu gering ist, könnte das Hinterrad des Fahrrades Traktion zu verlieren. Ist sie zu hoch ist die Anhängervorrichtung kann überlastet werden.

Verpackungsinhalt

1 Wimpel, 2 Räder, 1 Zugstange, 1 Abdeckung,
1 Anhänger

Benötigtes Werkzeug:

5-mm-Inbusschlüssel (mitgeliefert)

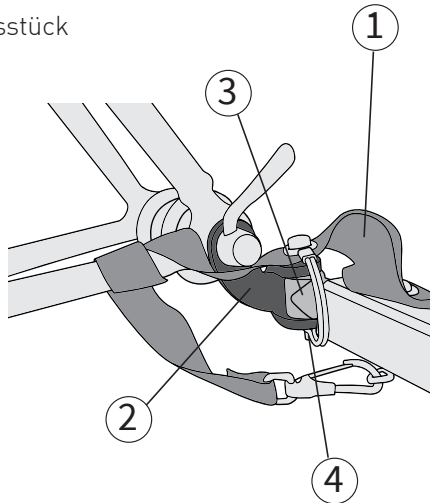


Gebrauchsanleitung Burley-Anhänger:

1. Radentriegelungsdruckknopf
2. Wimpeltasche
3. Zugstangenhalterung
4. Radabdeckung
5. Abdeckung
6. Zugstange
7. Rahmenlaschen (unter der Abdeckung)
8. Identifikation des Anhängermodells

Gebrauchsanleitung Burley-Anhängerkupplung:

1. Sicherheitsriemen
2. Anhängerkupplung
3. Flexibles Verbindungsstück
4. Sicherungsstift



Öffnen Ihres Anhängers

1. Das Vorderrahmen- und das hintere Rahmenrohr so weit aus dem Anhänger herausheben (Abbildung 1), bis diese zusammen auf den Kunststoff-Auflagern liegen (Abbildung 2).
2. Durch Herunterdrücken der Laschen die Stifte miteinander verriegeln (Abbildung 3).

Schließen Ihres Anhängers

1. Nehmen Sie die Räder ab.
2. Heben Sie unterhalb der Abdeckung (Abbildung 3) die linke und rechte rote Lasche an, um die Rahmenrohre zu entriegeln.
3. Klappen Sie den Anhänger zusammen.

WARNHINWEIS

Achten Sie Auf- und Zusammenklappen darauf, keine Finger einzuklemmen.

Abbildung 1

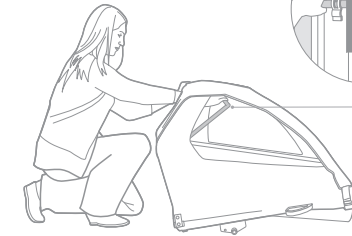
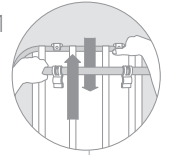
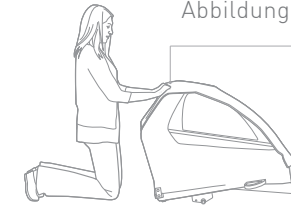
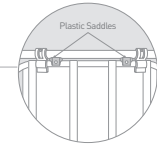


Abbildung 3

Abbildung 2



Montage der Radabdeckungen

1. Bolzen der Radabdeckung durch das Rahmenrohr einführen. Die Löcher in den Radabdeckungen auf die Bolzen ausrichten. Mit dem Inbusschlüssel festziehen (Abbildung 4).
2. Diesen Vorgang für die Radabdeckung auf der anderen Seite des Anhängers wiederholen.

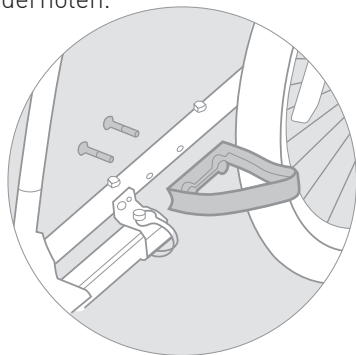


Abbildung 4

Befestigung der Räder

1. Den Gummiknopf an der Außenseite der Radnabe drücken (Abbildung 5).
2. Schieben Sie die Radachse in die Achsenhalterung und lassen Sie den Knopf anschließend los. Ziehen Sie fest an dem Rad, um sich zu vergewissern, dass die Achse vollständig eingerastet ist. (Abbildung 6)

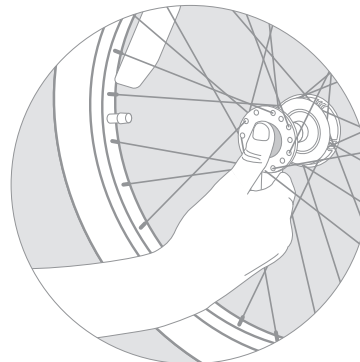


Abbildung 5

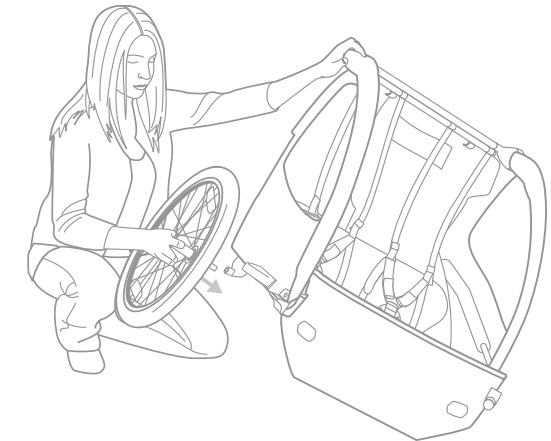


Abbildung 6

Anbringen der Abdeckung und des Wimpels

1. Die Abdeckung mithilfe von Druckknöpfen am Anhänger anbringen (Abbildung 7). Die Ösen der Abdeckung über die Haken an den vorderen Ecken des Anhängers schieben (Abbildung 8).
2. Die Abschnitte der Wimpelstange zusammenbauen, dann den Sicherheitswimpel in die Wimpeltasche an der Seitenwand stecken (Abbildung 7).

HINWEIS: Auf der Rückseite des Verdecks befinden sich Gewebeschlaufen, die Sie verwenden sollten, um zusätzliche Lampen und/oder Reflektoren zu befestigen.

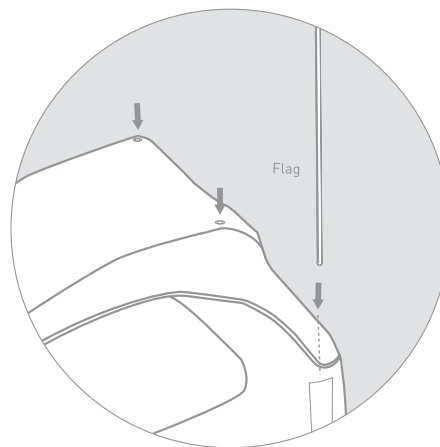


Abbildung 7

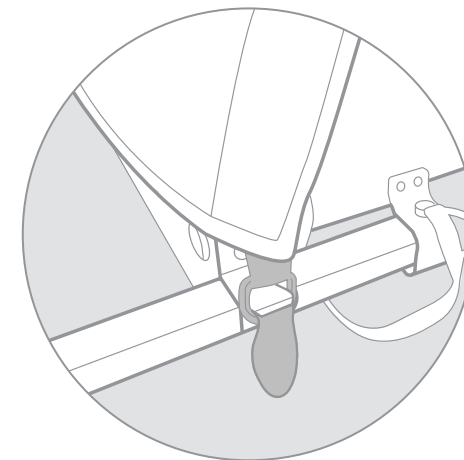


Abbildung 8

Montage der Deichsel

1. Die Deichsel in die Deichselaufnahme einführen und dabei Bohrung A auf Bohrung B ausrichten (Abbildung 9). Der rote Sicherheitsriemenbügel sollte bündig mit dem vorderen Ende der Deichselaufnahme abschließen, was bedeutet, dass die Deichsel vollständig eingeführt wurde.
2. Den Halterungsstift von oben durch die aufeinander ausgerichteten Bohrungen von sowohl Deichselaufnahme als auch Deichsel einführen (Abbildung 10).
3. Bitte vergewissern Sie sich, dass der Halterungsstift fest sitzt, gemäß der Abbildung (Abbildung 11 + 12).
4. Den Sicherheitsriemen an den D-Ring auf dem Kinderanhängerrahmen klipsen (Abbildung 13).

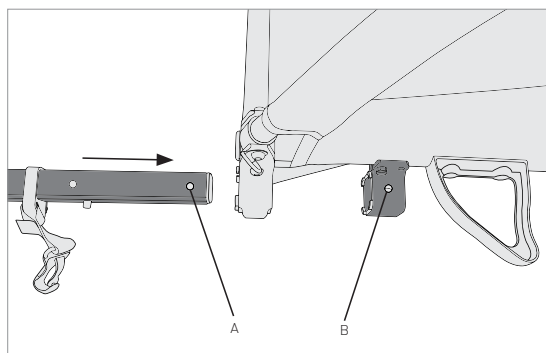


Abbildung 9

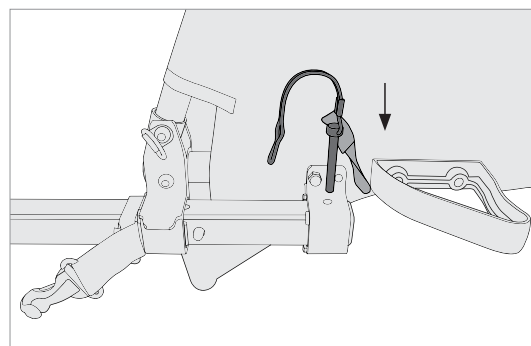


Abbildung 10

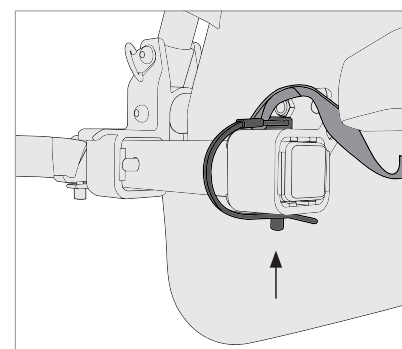


Abbildung 11

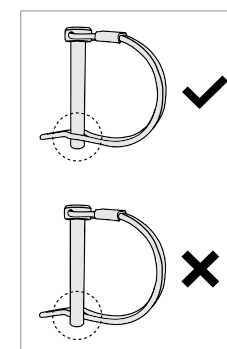


Abbildung 12

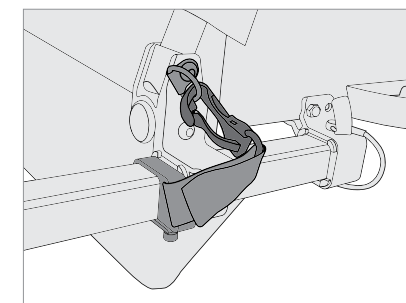


Abbildung 13

Ankoppeln Ihres Anhängers

1. **Montage der Anhängerkupplung an Ihrem Fahrrad:** Entfernen Sie den Schnellverschluss oder die Mutter von der linken Seite der hinteren Radachse des Fahrrads. Montieren Sie die Anhängerkupplung zwischen dem Schnellverschluss oder der Mutter und dem Rahmen (Abbildung 14). Ziehen Sie den Schnellverschluss oder die Mutter gemäß den Empfehlungen des Herstellers fest. Die Anhängerkupplung kann am Fahrrad verbleiben, wenn der Anhänger entfernt wurde.

Steckachse: Wenden Sie sich an Burley.com, um Informationen zur korrekten Montage an Ihr Fahrrad zu erhalten (Abbildung 15).

2. **Ankoppeln der Zugstange an der Anhängerkupplung:** Stecken Sie das flexible Verbindungsstück zwischen die beiden Löcher der Anhängerkupplung. Stecken Sie den Sicherungsstift hinein und schließen Sie die Arretierung. Wickeln Sie den Sicherheitsriemen zweimal um den Fahrradrahmen und befestigen Sie ihn an der Öse an der Zugstange (Abbildung 16).
3. **Die Deichsel von der Kupplung lösen:** Lösen Sie den Sicherheitsriemen vom D-Ring und wickeln Sie ihn vom Fahrradrahmen ab. Öffnen Sie die Arretierung des Halterungsstifts und ziehen Sie den Stift heraus. Entfernen Sie dann das flexible Verbindungsstück von der Kupplung.

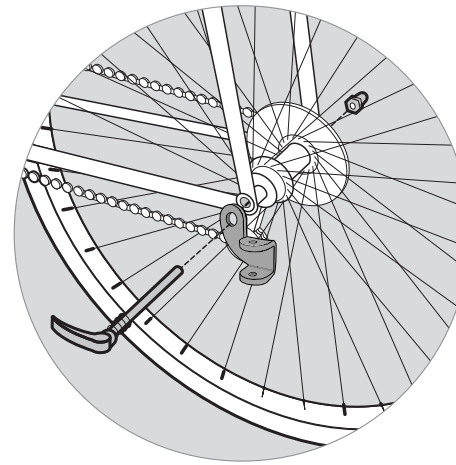


Abbildung 14

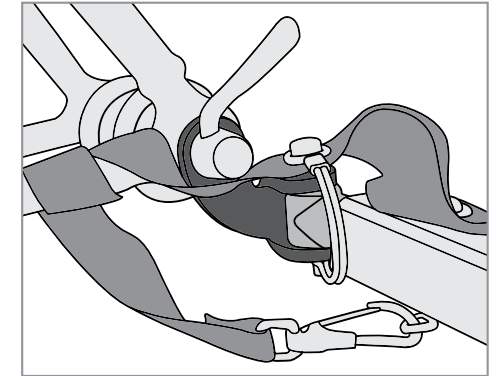


Abbildung 16



Abbildung 15

Sicherung Ihres Kindes

1. Nach dem Einsteigen anurten und den Gurt entsprechend einstellen. Die Schulter- und Beckengurte im 5-Punkt-Gurtsystem einrasten lassen und so einstellen, dass sie fest sitzen (Abbildung 17a). Straffen und den Beckengurt bzw. die Beckengurte entsprechend festziehen, sodass das Kind abgesichert ist.
2. Wenn Sie Ihr Kind herausnehmen möchten, drücken Sie einfach auf den gelben Auslöseknopf des 5-Punkt-Gurts. (Abbildung 17a)
3. Wird nur ein Kind in einem zweiseitigen Anhänger transportiert, muss das Kind immer rechts sitzen (Abbildung 18).

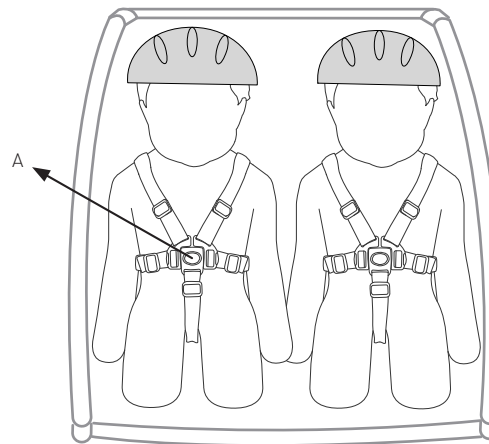


Abbildung 17

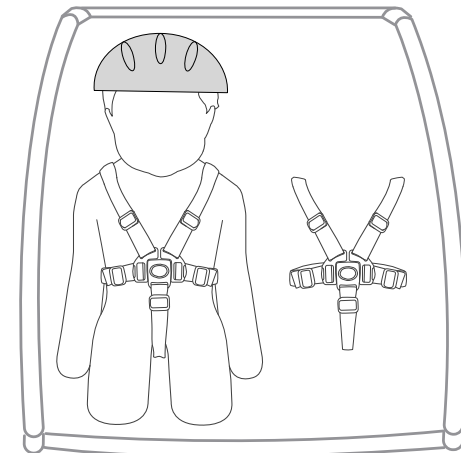


Abbildung 18

WARNHINWEIS

Vermeiden Sie schwere Verletzungen durch Herausfallen oder Herausrutschen. Verwenden Sie stets den 5-Punkt-Gurt.

Vor der Fahrt:

Vor jedem Einsatz zu prüfen:

1. Ob die Räder richtig am Anhänger befestigt sind
2. Ob die Reifen mit dem auf der Reifenseite empfohlenen Druck aufgepumpt sind
3. Ob die Zugstange richtig am Anhänger gesichert ist
4. Ob die Anhängerkupplung richtig am Fahrrad befestigt ist
5. Ob die Arretierung des Sicherungsstifts für Anhängerkupplung und Zugstange gesichert ist
6. Ob der Sicherungsriemen der Anhängerkupplung und Sicherungsriemen zugstange richtig angebracht ist
7. Dass die Ladung 45 kg bei einem Doppelkinderanhänger oder 34 kg bei einem Einzelkinderanhänger nicht übersteigt
8. Dass das Gewicht der Zugstange an der Anhängerkupplung höher ist als 1 kg, mit beladenem Anhänger jedoch nicht 3,6 kg übersteigt
9. Ob das Fahrrad in gutem Zustand ist, insbesondere die Bremsen und die Reifen (Siehe das Benutzerhandbuch für das Fahrrad)
10. Dass alle Passagiere einen Helm tragen
11. Dass der Sicherheitswimpel angebracht ist
12. Dass das/die Kind(er) richtig mit Geschirr und Hüftgurt gesichert ist/sind
13. Dass die Abdeckung montiert und geschlossen ist

Monatlich zu überprüfen:

- Untersuchen Sie die Zugstange, die Anhängerkupplung, die Rahmenrohre, das flexible Verbindungsstück und das Gestell auf Schäden
 - Flex-Anschlüsse müssen alle 3 bis 5 Jahre gewartet werden, um die Sicherheit zu gewährleisten
- Prüfen Sie, ob die Bolzen festgezogen sind
- Untersuchen Sie die Reifen und Räder auf Abnutzung und Risse
- Untersuchen Sie die Räder auf Richtigkeit und Risse
- Untersuchen Sie die Stoffbauteile auf Risse, Abnutzung und fehlendes oder beschädigtes Material

Kontaktieren Sie Ihren autorisierten Burley-Händler für Ersatz bei beschädigten oder abgenutzten Bauteilen.

Pflege Ihres Burley Anhängers

Zusammenklappen des Anhängers:

- Entnehmen Sie Passagiere und Ladung
- Entfernen Sie die Zugstange und beide Räder
- Lösen Sie die Rahmenlaschen und drücken Sie den hinteren Rahmen unter den Vorderrahmen
- Legen Sie die Räder und die Zugstange in den Anhänger
- HINWEIS: Die Fenster können beschädigt werden, wenn der Anhänger mit montierten Rädern zusammengeklappt wird

Lagerung:

Lagern Sie den Anhänger im Innenbereich, um seine Lebensdauer zu verlängern. Wenn der Anhänger im Außenbereich geparkt wird, schützen Sie ihn mit einer Burley Trailer Transporttasche oder einer Schutzhülle. Der Anhänger darf nicht bei Temperaturen unter -23 °C oder über 65 °C gelagert werden. Die Reifen sollten nicht in Kontakt mit den Fenstern gelagert werden, da dies zum Ausbleichen der Fenster führen kann.

Stoffpflege:

Reinigen Sie die Stoffteile per Hand mit warmem Wasser und milder Seife oder Reinigungsmittel. Verwenden Sie KEINE Bleich- oder Lösungsmittel. Lassen Sie die Anhängerabdeckung an der Luft trocknen. Trocknen Sie die Abdeckung ab und lagern Sie sie außerhalb der direkten Sonneneinstrahlung an einem trockenen, gut belüfteten Ort. Reinigen Sie die Fenster mit einem feuchten, weichen Tuch.

Maximale Kapazitäten

- Nennlast:
 - Bee (Einzelpassagier): 34 kg, ein Kind + Ladung
 - Bee (Doppelpassagier): 45 kg, ein oder zwei Kinder + Ladung
 - Gesamtgewicht (Anhänger + Ladung):
 - Bee (Einzelpassagier): 43,9 kg
 - Bee (Doppelpassagier): 54 kg
 - Maximalgewicht des Kindes: 18 kg
 - Maximale Höhe des Kindes im Stehen (ohne Helm): 105 cm
 - Mindestalter des Kindes: 12 Monate
- Befolgen Sie stets lokale Regelungen bezüglich des maximalen Anhängergewichts.

Begrenzte Garantie von Burley:

Der Burley-Anhänger ist wie folgt ab Kaufdatum von einer Garantie gegen Material- und Produktionsfehler abgedeckt: Stoffteile über ein Jahr, Rahmen- und Plastikteile über drei Jahre. Als Kaufbeleg gilt Ihre datierte Original-Kauf- oder Lieferquittung, auf der das Kaufdatum angegeben ist.

Sollte ein Material- oder Produktionsfehler während der begrenzten Gewährleistung festgestellt werden, so werden wir nach eigenem Ermessen Ihr Produkt kostenfrei reparieren oder ersetzen. Diese Gewährleistung ist nur in dem Land gültig, in dem das Produkt erworben wurde.

Die begrenzte Gewährleistung gilt nur für den ursprünglichen Käufer dieses Produkts und ist nicht auf eine Person übertragbar, die das Produkt vom ursprünglichen Käufer übernimmt.

Die begrenzte Gewährleistung gilt nicht für Ansprüche, die aus einem Missbrauch, einer Nichtbefolgung der Anweisungen, der Montageanleitung, einer unsachgemäßen Wartung und Nutzung, einer Zweckentfremdung, der Verwicklung in einen Unfall oder aus einer normalen Abnutzung resultieren. Die begrenzte Gewährleistung gilt nicht für Produkte, die vermietet werden. Burley haftet nicht für jegliche unbeabsichtigte oder kommerzielle Schäden in Verbindung mit einer solchen Nutzung.

SOWEIT PER GESETZ ERLAUBT, IST DIESE BEGRENZTE GEWÄHRLEISTUNG EXKLUSIV UND ERSETZT JEDE ANDERE GEWÄHRLEISTUNG, OB SCHRIFTLICH ODER MÜNDLICH, EINSCHLIESSLICH, JEDOCH NICHT BEGRENZT AUF JEGLICHE AUSDRÜCKLICHE ODER STILLSCHWEIGENDE ZUSICHERUNG DER GEBRAUCHSTAUGLICHKEIT FÜR EINEN BESTIMMTEN ZWECK. Die Dauer jeglicher stillschweigender Gewährleistungen, einschließlich jeglicher stillschweigender Zusicherung der Gebrauchstauglichkeit für einen bestimmten Zweck, die während des Gültigkeitszeitraums der ausdrücklichen Gewährleistung bestehen, sind ausdrücklich auf den Gültigkeitszeitraum der begrenzten Gewährleistung begrenzt.

Einige Staaten und Länder erlauben keine Begrenzung der Gültigkeit einer stillschweigenden, begrenzten Gewährleistung. Daher gelten die obigen Begrenzungen und Ausschlüsse möglicherweise nicht für Sie.

DAS EXKLUSIVE RECHTSMITTEL DES KUNDEN BEI EINER VERLETZUNG DIESER BEGRENZTEN GEWÄHRLEISTUNG, EINER STILLSCHWEIGENDEN GEWÄHRLEISTUNG ODER EINER ANDEREN GESETZLICH ODER ANDERWEITIG HERVORGEHENDEN OBLIEGENHEIT IST WIE HIERIN SPEZIFIZIERT AUF EINE REPARATUR ODER EINEN ERSATZ NACH UNSEREM EIGENEN ERMESSEN BEGRENZT. IN JEDEM FALL IST EINE HAFTUNG FÜR SPEZIELLE, UNBEABSICHTIGTE UND FOLGESCHÄDEN AUSDRÜCKLICH AUSGESCHLOSSEN.

Einige Staaten erlauben nicht den Ausschluss der Begrenzung von unbeabsichtigten oder Folgeschäden. Daher gelten die obigen Ausschlüsse und Begrenzungen möglicherweise nicht für Sie.

Diese begrenzte Gewährleistung gewährt Ihnen spezielle Rechte. Sie haben möglicherweise andere Rechte, die von Staat zu Staat oder Land variieren.

Für Informationen zu Garantieleistungen oder Ersatzteilen für die USA oder Kanada, kontaktieren Sie Burley bitte direkt unter 800-311-5294 oder per E-Mail an burley@burley.com. Für Informationen zu Garantieleistungen oder Ersatzteilen außerhalb der USA und Kanada, kontaktieren Sie bitte den Händler, bei dem Sie das Produkt erworben haben. Bitte halten Sie das Produktmodell, die Seriennummer und eine Beschreibung des Garantiefalls bereit.

Einige Ersatzteile stehen möglicherweise auch nach Ablauf dieser begrenzten Gewährleistung zum Kauf zur Verfügung. Bitte besuchen Sie uns unter www.burley.com oder rufen Sie uns an unter 541-687-1644 für weitere Informationen.

AVERTISSEMENT

Le non-respect des instructions et consignes de sécurité de ce manuel peut entraîner des blessures graves, voire la mort du passager ou du conducteur.

- Ne laissez jamais votre enfant sans surveillance
- Avant utilisation du produit, vérifiez que les dispositifs de verrouillage sont bien engagés.
- Pour éviter les blessures, éloignez votre enfant lorsque vous pliez et dépliez ce produit.
- Ne laissez pas votre enfant jouer avec ce produit
- Ce siège ne convient pas aux enfants de moins de 6 mois, à moins qu'il ne soit équipé pour cela d'un accessoire homologué Burley
- Utilisez toujours le système de maintien
- Ce produit n'est pas prévu pour courir ou patiner.
- Pour le transport d'un seul enfant dans une remorque double, placez ce dernier toujours sur la partie droite. (Remarque : les références « gauche » et « droite » partent du principe que l'utilisateur se tient à l'arrière de la remorque et regarde vers l'avant de celle-ci.)
- Assurez-vous que vos enfants ne mettent pas leurs doigts, vêtements, jouets ou lacets dans les rayons des roues ou d'autres parties mobiles du produit
- Vérifiez confort et la sécurité des enfants fréquemment, en particulier par temps chaud ou froid
- Poser des paquets ou des accessoires, ou les deux, sur le produit pourrait déstabiliser ce dernier. Lui ajouter des accessoires pour transporter des charges peut créer des conditions d'instabilité dangereuses
- N'INSTALLEZ PAS de siège auto ni tout autre accessoire pour s'asseoir dans le produit
- N'UTILISEZ PAS le produit avec une charge totale supérieure au poids limite ou avec un nombre d'enfants supérieur à celui pour lequel le produit a été conçu. Le produit peut devenir instable en cas de dépassement de la charge recommandée
- NE MODIFIEZ PAS le produit
- NE gonflez PAS trop les pneus. Non-respect de la pression indiquée sur le flanc des pneus peut conduire à une explosion du pneu et à des blessures
- À n'utiliser qu'avec un accessoire homologué Burley. Si vous arrimez un accessoire à votre remorque, veillez à suivre l'ensemble des avertissements et instructions inclus dans ce kit d'accessoires.

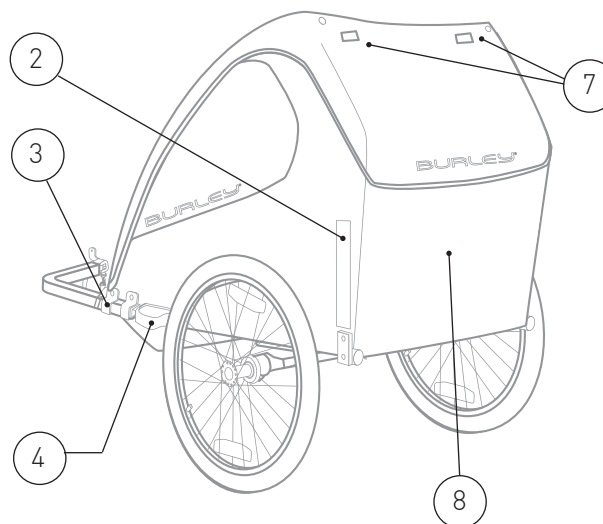
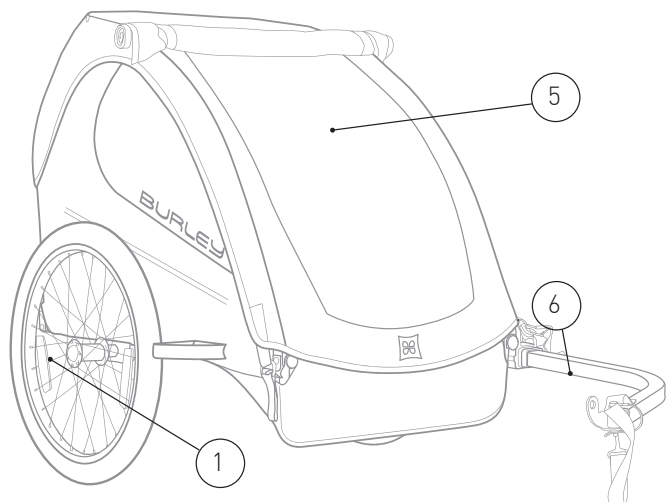
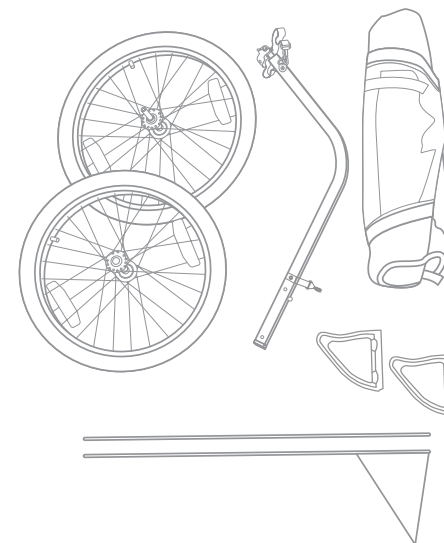
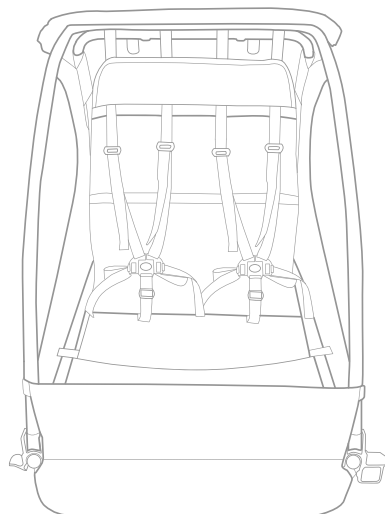
- Il est recommandé qu'un mécanicien qualifié pour les vélos effectue une vérification de sécurité du vélo avant d'attacher la remorque.
- Avant chaque utilisation, assurez-vous que la remorque ne gêne pas le freinage, le pédalage ou la direction du vélo.
- Il est recommandé d'utiliser un rétroviseur sur le vélo.
- Conformez-vous toujours aux réglementations locales lorsque la remorque est utilisée sur la voie publique.
- Ne roulez jamais à vélo la nuit sans un éclairage adéquat.
- Respectez les exigences légales locales en matière d'éclairage.
- Les réflecteurs rouges fournis avec la remorque doivent constamment restés montés et visibles à l'arrière.
- Si vous devez vous arrêter pour quelque raison que ce soit, comme pour surveiller votre enfant, effectuer des réglages ou regonfler un pneu à plat, assurez-vous de ne pas rester sur la route.
- Lorsque vous utilisez la remorque, votre vélo est plus lourd et plus long. Le temps nécessaire pour freiner, ralentir, s'arrêter et démarrer est plus long. La place requise pour tourner, ainsi que l'encombrement, sont également modifiés. Utilisez d'abord la remorque chargée dans un endroit non encombré jusqu'à ce que vous maîtrisiez la manière dont votre vélo gère le remorquage d'une remorque.
- Évitez les cailloux, les virages, les freinages brusques et les embardées. Évitez les pierres, les bords de trottoir, le freinage brusque et les écarts soudains.
- Faites appel à votre bon jugement lorsque vous décidez de si les conditions climatiques, de route ou de circulation sont sûres pour utiliser une remorque Burley. Les limites de température recommandées pour utiliser une remorque Burley se situent entre - 7 °C et 38 °C.
- Les enfants doivent pouvoir être assis et se tenir droit sans soutien et avoir une force dans la nuque suffisante pour maintenir leurs têtes avant d'être transportés dans une remorque. Afin de déterminer si un enfant a l'âge suffisant pour être transporté dans une remorque à vélo, consultez un pédiatre
- Roulez toujours avec le toit fermé afin de protéger les enfants des débris volants
- Les passagers doivent porter un casque de vélo qui est conforme aux normes de sécurité applicables
- La personne sur le vélo doit être âgée de 16 ans minimum
- La loi peut soumettre les remorques tirées par un vélo électrique à des restrictions.
- Limitations de vitesse recommandées :
 - 24 km/h sur les routes régulières, en ligne droite
 - 8 km/h dans les virages ou sur les routes irrégulières
- Poids de la remorque doit être correctement distribuée pour la manipulation. La force vers le bas à la fin de la barre de remorquage, où il rencontre le vélo, devrait se situer entre £ 2 et 20 lbs. Pour mesurer cela, chargez votre remorque et placez à côté de l'échelle de salle de bains. Montez sur l'échelle et notez votre poids. Alors que sur l'échelle, soulevez la fin de la barre de remorquage 1 pied du sol et notez le poids nouveau. La différence de poids est la force vers le bas sur la barre de remorquage. Si le poids est trop faible, la roue arrière de la bicyclette pourrait perdre la traction. Si elle est trop élevée l'attelage peut être surchargé.

Contenu de la boîte :

1 fanion, 2 roues, 1 barre de remorquage, 1 toit,
1 remorque

Outils nécessaires :

Clé hexagonale de 5 mm (fournie)

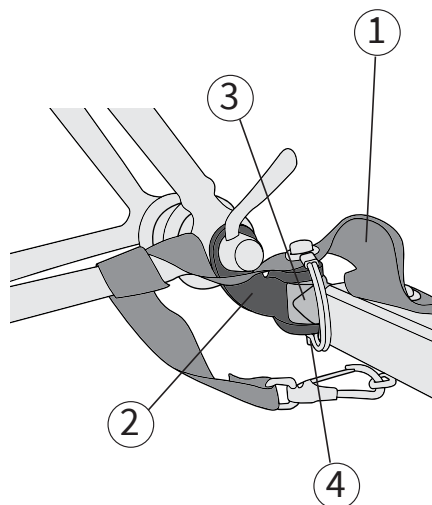


Guide de remorque Burley :

1. Roue à bouton-poussoir
2. Pochette pour fanion
3. Récepteur de la barre de remorquage
4. Garde-roue
5. Toit
6. Barre de remorquage
7. Verrous de cadre (sous le toit)
8. Identification du modèle de remorque

Guide d'attelage Burley :

1. Sangle de sécurité
2. Attelage
3. Raccord souple
4. Goupille de sécurité



Ouverture de votre remorque

1. Soulevez les tubes du cadre avant et du cadre arrière depuis l'intérieur de la remorque (Figure 1) jusqu'à ce qu'ils se positionnent correctement sur les supports en plastique (Figure 2).
2. Joignez les barres et verrouillez-les en appuyant sur les verrous (Figure 3).

Fermeture de votre remorque

1. Retirez les roues.
2. Sous le toit (Figure 3), levez les verrous rouges gauche et droit pour libérer les tubes du cadre.
3. Pliez à plat.

AVERTISSEMENT

Faites attention lorsque vous pliez et dépliez la remorque pour éviter de vous coincer les doigts.

Figure 1

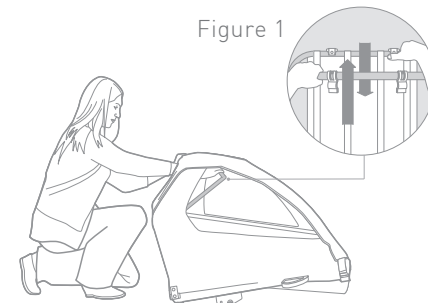
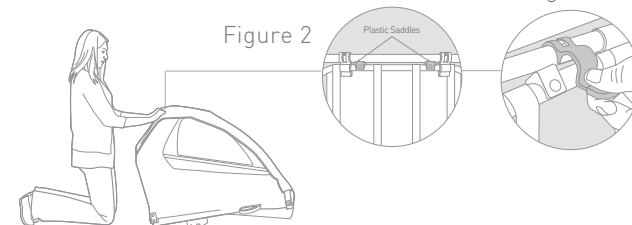


Figure 3

Figure 2



Installation des garde-roues

1. Insérez les boulons des garde-roues dans le tube du cadre. Superposez les trous des garde-roues avec les boulons. Vissez fermement à l'aide de la clé hexagonale (Figure 4).
2. Répétez la procédure pour le garde-roue de l'autre côté de la remorque.

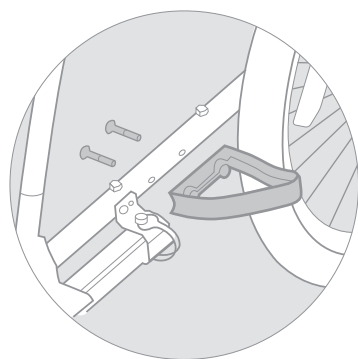


Figure 4

Fixation des roues

1. Appuyez sur le bouton en caoutchouc situé à l'extérieur du moyeu de roue (Figure 5).
2. Insérez l'axe de roue dans le récepteur d'axe, puis relâchez le bouton. Tirez fermement sur la roue pour confirmer que l'axe est entièrement engagé. (Figure 6)

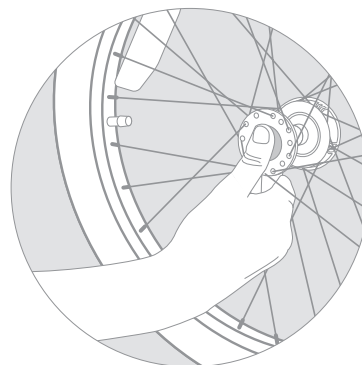


Figure 5

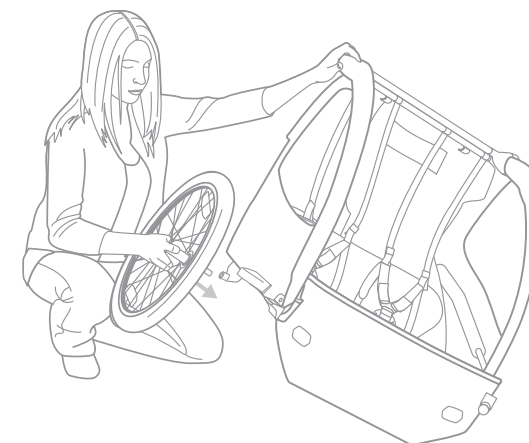


Figure 6

Fixation du toit et du fanion

1. Fixez le toit sur la remorque à l'aide des fermoirs (Figure 7).
Insérez les anneaux d'arrimage dans les crochets situés sur les coins avant de la remorque (Figure 8).
2. Assemblez les pièces du fanion puis glissez le fanion de sécurité dans la pochette, sur le panneau latéral (Figure 7).

REMARQUE : des sangles en tissu se trouvent à l'arrière de la capote et doivent être utilisées pour fixer des phares et/ou réflecteurs supplémentaires.

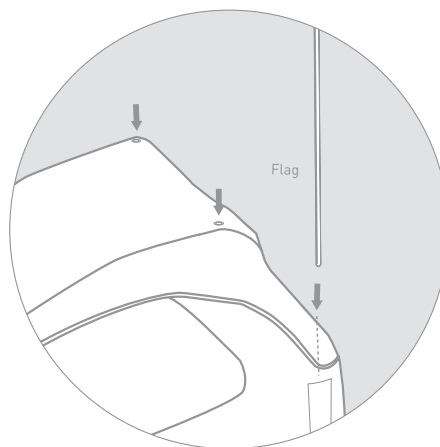


Figure 7

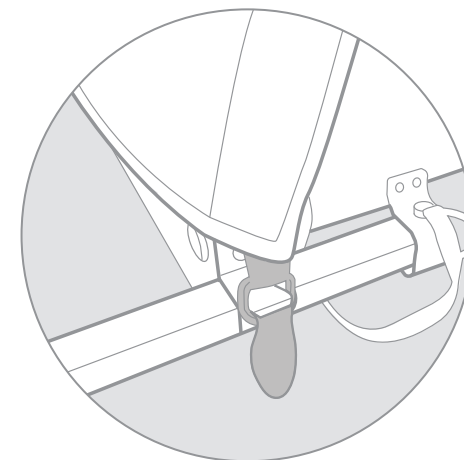


Figure 8

Installation de la barre de remorquage

1. Faites glisser la barre de remorquage dans le récepteur jusqu'à ce que l'orifice A s'aligne sur l'orifice B (Figure 9). Le support de la sangle de sécurité rouge doit être aligné avec l'avant du récepteur de la barre de remorquage, ce qui indique que la barre de remorquage est totalement engagée.
2. Insérez la tige de retenue depuis le haut en passant par les orifices alignés du récepteur et de la barre de remorquage (Figure 10).
3. Vérifiez que la tige de retenue est bien fermée, comme illustré (Figure 11 & 12).
4. Clipsez la sangle de sécurité sur l'anneau d'arrimage du cadre de la remorque (Figure 13).

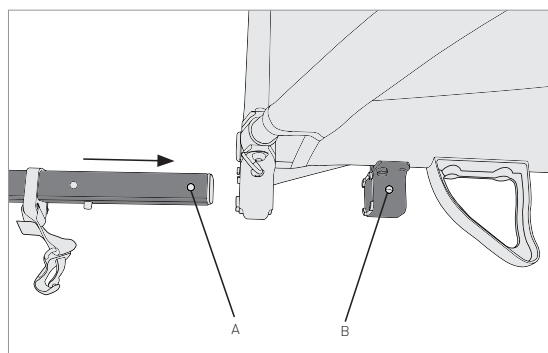


Figure 9

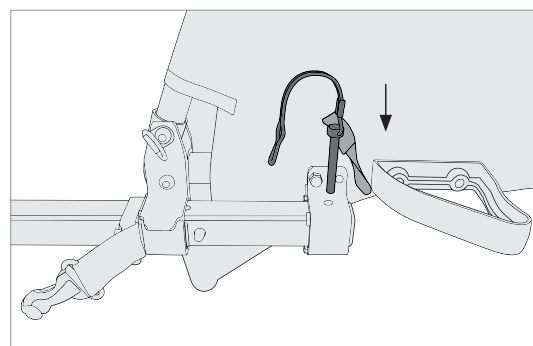


Figure 10

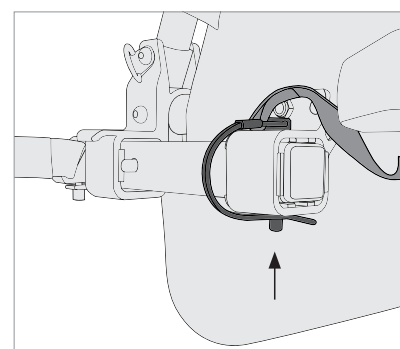


Figure 11

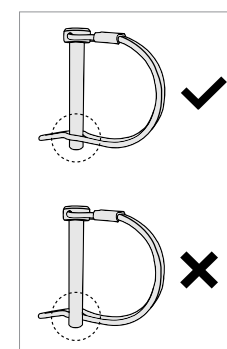


Figure 12

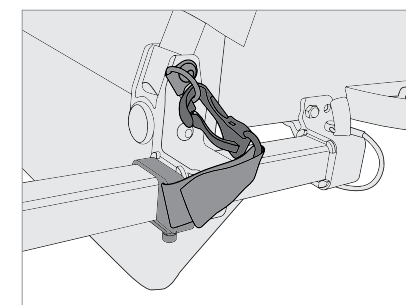


Figure 13

Accrochage de votre remorque

1. **Installation de l'attelage sur votre vélo :** Retirez le levier de blocage rapide ou l'écrou du côté gauche de l'axe de la roue arrière du vélo. Installez l'attelage entre le levier de blocage rapide ou l'écrou et le cadre (Figure 14). Serrez le levier de blocage rapide ou l'écrou en suivant les recommandations du fabricant. L'attelage peut rester sur le vélo lorsque la remorque n'est pas accrochée.

Axe traversant : Vous trouverez des informations sur le réglage et l'installation propres à votre vélo sur Burley.com (Figure 15).

2. **Accrochage de la barre de remorquage à l'attelage :** Insérez le raccord souple entre les deux trous sur l'attelage. Insérez la goupille de sécurité et fermez le dispositif de retenue. Enroulez la sangle de sécurité autour du cadre du vélo deux fois et accrochez-la à l'anneau d'arrimage sur la barre de remorquage (Figure 16).
3. **Démontage de la barre de remorquage de l'attelage :** déverrouillez la sangle de sécurité de l'anneau d'arrimage et déroulez-la en partant du cadre du vélo. Retirez la goupille de sécurité et ouvrez le dispositif de retenue. Puis démontez le raccord souple de l'attelage.

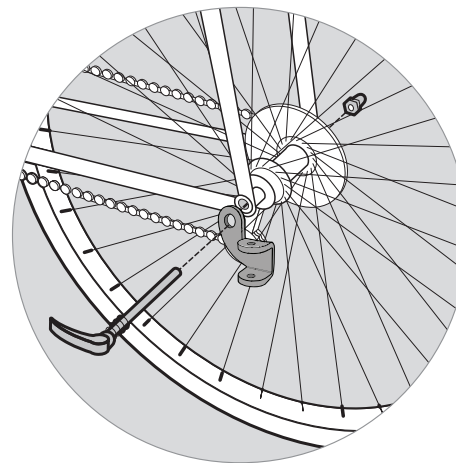


Figure 14

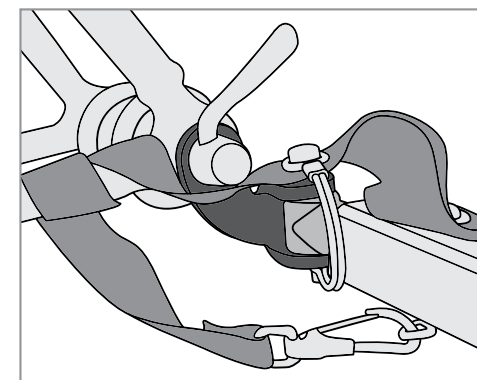


Figure 16



Figure 15

Installation de Votre Enfant

1. Une fois l'enfant assis, sécurisez et ajustez les harnais. Attachez les sangles et les ceintures dans le harnais à 5 points, puis ajustez-les (Figure 17a). Attachez et ajustez la/les ceinture(s) sous-abdominale(s).
2. Pour sortir vos enfants de la remorque, appuyez simplement sur le bouton jaune d'ouverture du harnais à 5 points (Figure 17a).
3. Pour le transport d'un seul enfant dans une remorque double, placez ce dernier toujours sur la partie droite (Figure 18).

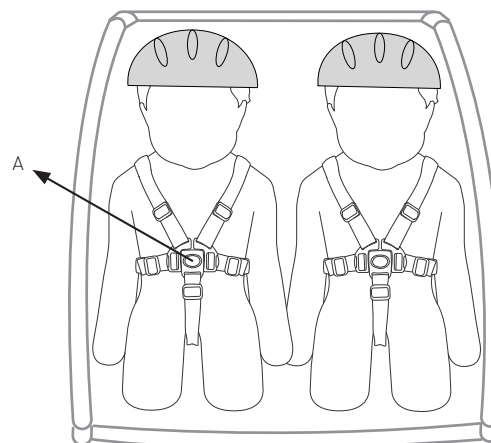


Figure 17

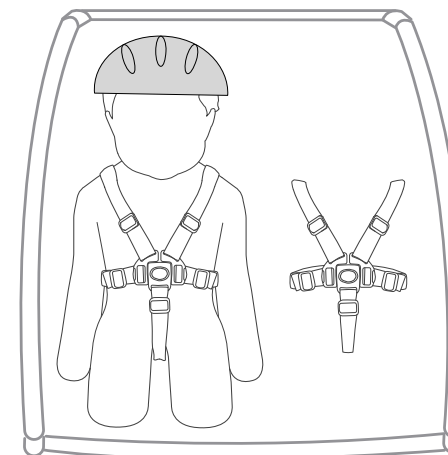


Figure 18

AVERTISSEMENT

Les chutes et glissades peuvent entraîner des blessures graves. Utilisez toujours un harnais à 5 points.

Avant de partir :

Avant chaque utilisation, vérifiez si :

1. Les roues sont bien fixées à la remorque
2. Les pneus sont gonflés à la pression recommandée indiquée sur le flanc
3. La barre de remorquage est bien fixée à la remorque
4. L'attelage est bien fixé au vélo
5. Les dispositifs de retenue des goupilles de sécurité de l'attelage et de la barre de remorquage sont fixés
6. La sangle de sécurité de l'attelage y de la barre de remorquage est bien installée
7. La charge ne dépasse pas 45 kg pour les remorques à deux places ou 34 kg pour les remorques à une place
8. Le poids de la barre de remorquage est supérieur à 1 kg mais inférieur à 9 kg lorsque la remorque est complètement chargée
9. Le vélo est dans un bon état de marche, en particulier les freins et les pneus (Voir les instructions du fabricant de votre vélo)
10. Tous les passagers portent un casque
11. Le fanion de sécurité est en place
12. L'enfant (les enfants) est (sont) correctement installé(s) avec le harnais et la sangle sous-abdominale
13. Le toit est installé et fermé

Chaque mois, effectuez les vérifications suivantes :

- Inspectez la barre de remorquage, l'attelage, les tubes de cadre, le raccord souple et le matériel afin de détecter d'éventuels dommages
 - Les connecteurs flexibles doivent être vérifiés tous les 3-5 ans
- Vérifiez si les boulons sont serrés
- Inspectez les pneus et les roues afin de détecter une usure et des fissures éventuelles
- Inspectez les roues afin de détecter d'éventuelles fissures
- Inspectez les parties en tissu afin de détecter les éventuels accrocs et abrasions, le matériel manquant ou endommagé

Pour le remplacement de toute pièce endommagée ou usée, contactez votre revendeur agréé Burley.

Entretien de votre remorque Burley

Pliage de la remorque :

- Faites descendre les passagers et retirez la charge
- Retirez la barre de remorquage et les deux roues
- Ouvrez les verrous de cadre et poussez le cadre arrière sous le cadre avant
- Placez les roues et la barre de remorquage dans la remorque
- REMARQUE : si la remorque est pliée alors que les roues n'ont pas été retirées, cela risque d'endommager les fenêtres.

Stockage :

Pour une durée de vie plus longue, stockez la remorque à l'intérieur. Si vous rangez votre remorque à l'extérieur, protégez-la à l'aide d'un sac de rangement ou d'une housse. La remorque ne doit pas être stockée à des températures inférieures à - 23 °C ou supérieures à 65 °C. Ne stockez pas les pneus en contact direct des fenêtres ; cela peut décolorer les fenêtres.

Entretien du tissu :

Lavez à la main les parties en tissu avec de l'eau chaude et un savon ou détergent doux. N'utilisez PAS d'eau de Javel ou de solvant. Mettez à sécher sur une corde le toit de la remorque. Séchez et stockez à l'abri de la lumière directe du soleil, dans un espace bien aéré. Nettoyez les fenêtres avec un chiffon doux humide.

Capacités maximales

- Charge nominale
 - Bee (passager unique) : 34 kg, un enfant + chargement
 - Bee (double passager) : 45 kg, un ou deux enfants + chargement
- Poids total (remorque + charge) :
 - Bee (passager unique) : 43,9 kg
 - Bee (double passager) : 54 kg
- Poids maximum de l'enfant : 18 kg
- Hauteur debout maximale de l'enfant (sans le casque): 41.25 po. (105 cm)
- Age minimum de l'enfant : 12 mois

Concernant le poids maximal de la remorque, conformez-vous toujours aux réglementations locales.

Garantie limitée Burley :

Cette remorque Burley est garantie à compter de la date d'achat contre les défauts de matériaux et de fabrication comme suit : parties en tissu pendant un an, cadre et pièces en plastique pendant trois ans. Votre facture d'origine ou votre bon de livraison indiquant la date d'achat est votre preuve d'achat.

Si un défaut de matériaux ou de fabrication est découvert pendant la période de Garantie limitée, nous réparerons ou remplacerons, à nos frais, votre produit sans que cela implique de coût pour vous. Cette garantie est uniquement valable dans le pays dans lequel le produit a été acheté.

La Garantie limitée s'applique uniquement à l'acheteur d'origine de ce produit et n'est pas cessible à toute personne qui devient propriétaire du produit de l'acheteur d'origine.

La Garantie limitée ne couvre pas les réclamations suite à une mauvaise utilisation, un non-respect des instructions, une installation, un entretien ou une utilisation inapproprié(e), une modification abusive, une implication dans un accident et une usure normale. La Garantie limitée ne couvre pas les produits qui sont utilisés dans le cadre d'une location et Burley ne sera pas tenu responsable de tout dommage accessoire ou commercial relatif à ladite utilisation.

DANS LA PLUS GRANDE MESURE AUTORISÉE PAR LA LOI, CETTE GARANTIE LIMITÉE EST EXCLUSIVE ET REMPLACE TOUTE AUTRE GARANTIE, ÉCRITE OU ORALE, DONT, NOTAMMENT, TOUTE GARANTIE EXPLICITE OU IMPLICITE DE QUALITÉ MARCHANDE OU DE CARACTÈRE APPROPRIÉ POUR UNE FIN PARTICULIÈRE. La durée de toute garantie implicite, y compris toute garantie implicite de qualité marchande ou de caractère approprié pour une fin particulière qui peut exister pendant la période de garantie explicite, est expressément limitée à la période de garantie.

Certains États et pays n'autorisent pas les limites de durée d'une garantie limitée implicite ; par conséquent, la limitation et les exclusions ci-dessus peuvent ne pas s'appliquer à vous.

LE RECOURS EXCLUSIF DU CLIENT EN CAS DE VIOLATION DE CETTE GARANTIE LIMITÉE OU DE TOUTE GARANTIE IMPLICITE OU DE TOUTE OBLIGATION PAR APPLICATION DE LA LOI OU AUTREMENT EST LIMITÉ, COMME STIPULÉ DANS LA PRÉSENTE, À LA RÉPARATION OU AU REMPLACEMENT, À NOTRE SEULE DISCRÉTION. DANS TOUS LES CAS, LA RESPONSABILITÉ QUANT AUX DOMMAGES SPÉCIAUX, ACCESSOIRES ET INDIRECTS EST EXPRESSÉMENT EXCLUE.

Certains États interdisent l'exclusion de la limite des dommages accessoires ou indirects, la limite d'exclusion ci-dessus peut donc ne pas s'appliquer à vous.

Cette Garantie limitée vous procure des droits légaux spéciaux et vous pouvez avoir d'autres droits qui varient d'un État à un autre ou d'un pays à un autre.

Pour plus d'informations sur le service de garantie ou les pièces de rechange pour les États-Unis ou le Canada, veuillez contacter Burley directement en appelant le 800-311-5294 ou en envoyant un e-mail à burley@burley.com. Pour plus d'informations sur le service de garantie ou les pièces de rechange en dehors des États-Unis et du Canada, veuillez contacter le lieu d'achat pour le service de garantie. Soyez prêt à indiquer le modèle de produit, le numéro de série et une description du problème sous garantie.

Certaines pièces de rechange peuvent être disponibles à l'achat après l'expiration de cette garantie limitée. Rendez-vous sur notre site à l'adresse www.burley.com ou appelez-nous au 541-687-1644 pour plus d'informations.

ADVERTENCIA

El incumplimiento de las instrucciones y directrices de seguridad de este manual podría dar lugar a lesiones graves o a la muerte del pasajero o del ciclista.

- No deje nunca al niño sin supervisión
- Asegúrese de que todos los dispositivos de fijación estén colocados antes de su uso.
- Para evitar lesiones asegúrese de que el niño esté alejado al desplegar y plegar este producto.
- No permita que el niño juegue con este producto
- Este asiento no es adecuado para niños menores de seis meses (a menos que se utilice un accesorio aprobado por Burley)
- Utilice siempre el sistema de retención
- Este producto no es adecuado para correr o patinar
- Cuando utilice el remolque doble con un niño, siente siempre al niño en la posición del lado derecho. (Nota: Las referencias a izquierda o derecha se toman estando de pie detrás del remolque mirando hacia adelante.)
- Asegúrese de que los niños no puedan poner los dedos, prendas de ropa, juguetes o cordones de los zapatos en los radios de las ruedas u otras partes móviles
- Compruebe la comodidad y la seguridad de los niños con frecuencia, especialmente cuando haga frío o calor
- Los paquetes o accesorios que coloque en la unidad podrían hacer que ésta se vuelva inestable. Podrían darse condiciones peligrosas de inestabilidad si se añaden al producto accesorios para transportar paquetes
- NO instale una silla de coche o cualquier otro dispositivo para sentarse en el producto.
- NO lo utilice con una carga total que supere los límites de peso o un número de niños superior al que permite el diseño del vehículo. Si se supera la carga recomendada, la unidad podría volverse inestable
- NO haga modificaciones en el producto
- NO sobre-inflar los neumáticos. El incumplimiento en la presión de los neumáticos de acuerdo a la clasificación de la pared lateral puede provocar una explosión del neumático y posibles lesiones.
- Utilice solo un accesorio aprobado por Burley. Si fija un accesorio al remolque, asegúrese de leer y respetar todas las advertencias e instrucciones incluidas con el kit de accesorio.

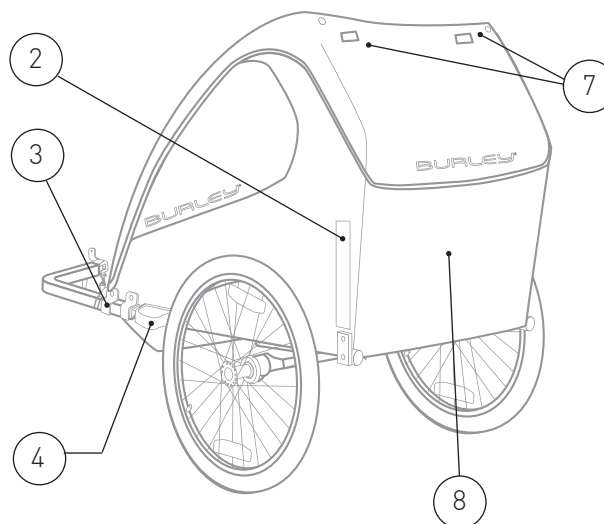
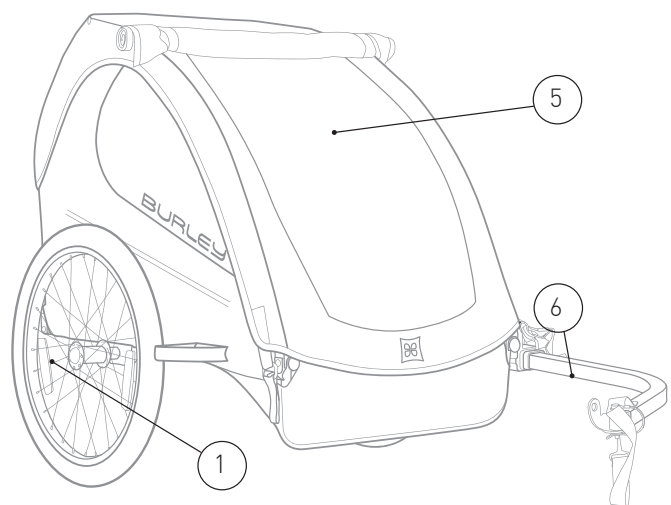
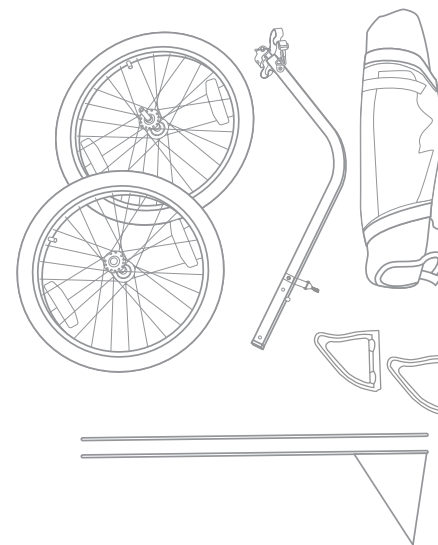
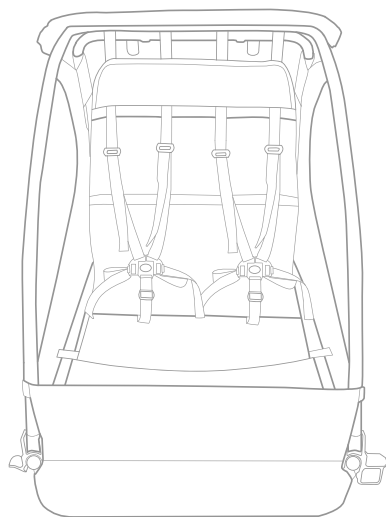
- Se recomienda que un mecánico de bicicletas especializado haga un control de seguridad de la bicicleta de remolque antes de colocar el remolque.
- Antes de cada paseo, asegúrese de que el remolque no interfiera con los frenos, los pedales o la dirección de la bicicleta.
- Se recomienda utilizar un espejo retrovisor en la bicicleta.
- Cumpla siempre la normativa local al usar el remolque en las calzadas públicas.
- Nunca monte en una bicicleta de noche sin la iluminación adecuada.
- Obedezca todos los requisitos legales locales en lo que se refiere a la iluminación.
- Los reflectores rojos que vienen con el remolque deben estar acoplados y ser visibles en la parte posterior del remolque en todo momento.
- Si tiene que frenar por cualquier razón, como por ejemplo, para controlar al niño, hacer ajustes o arreglar un neumático desinflado, asegúrese de salir completamente de la carretera.
- Al utilizar el remolque, está remolcando un peso adicional y un vehículo de mayor tamaño. Necesitará más tiempo para frenar, reducir la velocidad, detenerse y ponerse en marcha, además de usar más espacio en las curvas y corredores. Practique con el remolque cargado en un área sin tráfico hasta que se familiarice con la manera en que su bicicleta lleva un remolque.
- Evite piedras, bordillos, frenados bruscos y virajes repentinos. Evite las rocas, los bordillos de la acera, los frenados y los virajes bruscos.
- Use el sentido común al decidir si las condiciones del clima, la carretera y el tráfico son seguras para usar una bicicleta Burley. Los límites de temperatura recomendados para el uso de un remolque Burley son de -7 a 38 °C.
- Los niños deben ser capaces de sentarse erguidos sin ayuda y deben tener la fuerza suficiente en el cuello como para sostener la cabeza antes de llevarlos en un remolque. Consulte con un pediatra para determinar si un niño tiene la edad de desarrollo suficiente antes de llevarlo en un remolque para bicicleta.
- Circule siempre con la cubierta hacia abajo para proteger a los niños de los residuos del aire.
- Los pasajeros deben usar un casco de ciclista que cumpla con los estándares de seguridad correspondientes.
- El conductor de la bicicleta debe tener al menos 16 años.
- Los remolques de bicicleta tirados por una bicicleta motorizada/eléctrica pueden estar limitados por ley.
- Límites de velocidad recomendados:
 - 24 km/h sobre carreteras lisas y rectas
 - 8 km/h al girar o sobre carreteras irregulares
- El peso del remolque debe distribuirse adecuadamente para una manipulación segura. La fuerza hacia abajo al final de la barra de remolque, donde se encuentra con la moto, debe estar entre 2 libras y 20 libras. Para medir esto, cargue su remolque y el lugar junto a la báscula de baño. Pase en la escala y tenga en cuenta su peso. Mientras que en la escala, alza al final de la barra de remolque 1 pie del suelo y tenga en cuenta el peso de nuevo. La diferencia de peso es la fuerza hacia abajo en la barra de remolque. Si el peso es demasiado bajo, la rueda trasera de la bicicleta podría perder tracción. Si es demasiado alta el enganche puede estar sobrecargado.

Contenidos de la caja:

1 bandera, 2 ruedas, 1 barra de remolque,
1 cubierta, 1 remolque

Herramientas necesarias:

Llave Allen de 5 mm (incluida)

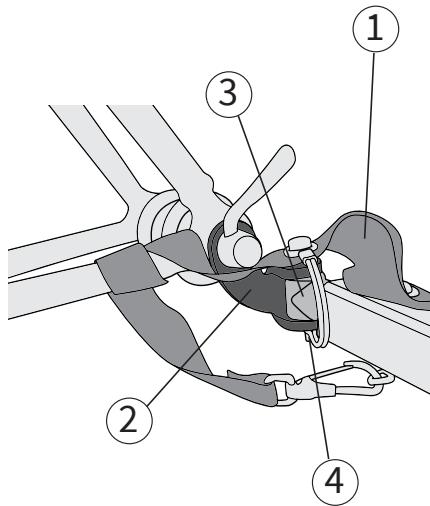


Guía del remolque Burley:

1. Rueda de liberación con botón de presión
2. Bolsillo de la bandera
3. Receptor de la barra de remolque
4. Protector de la rueda
5. Cubierta
6. Barra de remolque
7. Ganchos del marco (debajo de la cubierta)
8. Identificación del modelo de remolque

Guía del enganche Burley:

1. Correa de seguridad
2. Enganche
3. Conector flexible
4. Pasador de bloqueo



Cómo abrir su remolque

1. Eleve el tubo del marco frontal y el tubo del marco trasero desde el interior del remolque (figura 1) hasta que queden juntos en los sillines de plástico (figura 2).
2. Bloquee las barras juntas apretando sobre los ganchos (figura 3).

Cómo cerrar su remolque

1. Retire las ruedas.
2. Debajo de la cubierta (figura 3), levante los ganchos rojos a la izquierda y a la derecha para soltar los tubos del marco.
3. Dóblelo plano.

ADVERTENCIA

Se deben extremar las precauciones al plegar y desplegar la unidad para evitar pillarse los dedos.

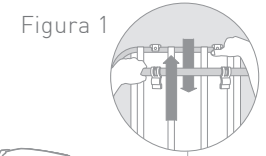


Figura 1

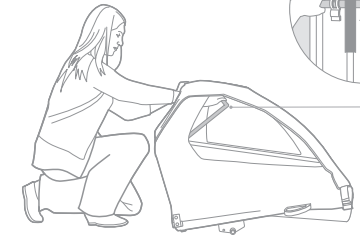


Figura 3

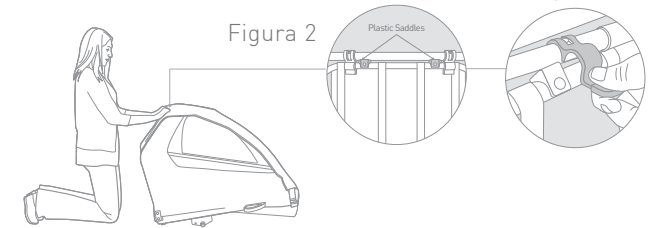


Figura 2

Plastic Saddles

Instalación de los protectores de las ruedas

1. Inserte los tornillos de los protectores de las ruedas a través del tubo del marco. Haga coincidir los orificios de los protectores de las ruedas con los tornillos. Apriételos con la llave Allen hasta que queden bien sujetos (figura 4).
2. Repita el procedimiento con el protector de la rueda del otro lado del remolque.

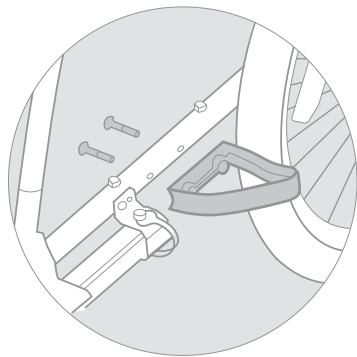


Figura 4

Colocación de las ruedas

1. Presione el botón de goma del exterior del cojinete de la rueda (figura 5).
2. Inserte el eje de la rueda en el receptor del eje y luego suelte el botón. Tire fuertemente de la rueda para asegurarse de que el eje esté sujeto completamente. (figura 6)

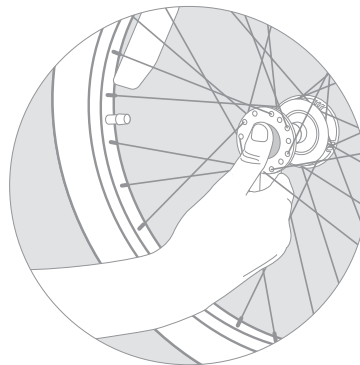


Figura 5

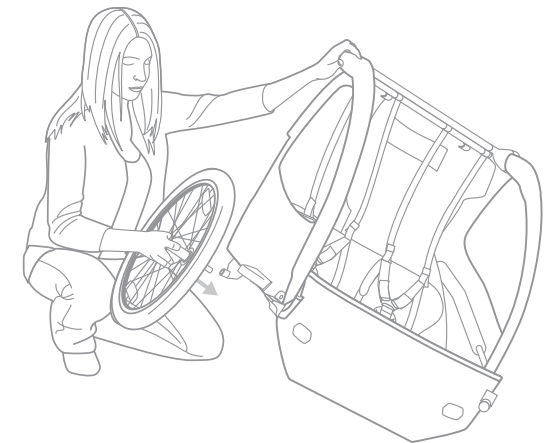


Figura 6

Colocación de la cubierta y la bandera

1. Coloque la cubierta en el remolque mediante broches (figura 7). Deslice los aros en forma de D de la cubierta sobre los ganchos de las esquinas frontales del remolque (figura 8).
2. Monte juntas las secciones del mástil y después deslice la bandera de seguridad en el bolsillo de la bandera del panel lateral (figura 7).

NOTA: Las cintas de tela se encuentran en la parte posterior de la cubierta y se deben utilizar para fijar luces o reflectores adicionales.

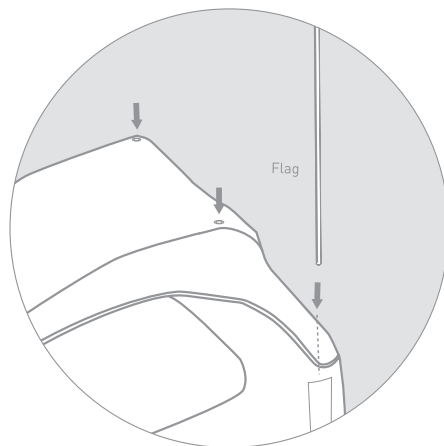


Figura 7

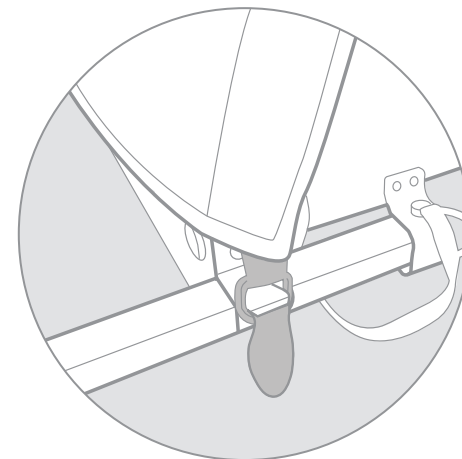


Figura 8

Instalación de la barra de remolque

1. Deslice la barra de remolque hacia el receptor de la barra de remolque hasta que el Agujero A quede alineado con el Agujero B (Figura 9). El soporte de la correa de seguridad roja debe quedar enrasado con la parte delantera del receptor de la barra de remolque, indicando que la barra de remolque se ha insertado por completo.
2. Inserte el pasador desde la parte superior a través de los agujeros alineados del receptor y de la barra de remolque (Figura 10).
3. Asegúrese de que el pasador haya quedado correctamente cerrado como se muestra (Figura 11 + 12).
4. Acople la correa de seguridad al anillo D en el bastidor del remolque (Figura 13).

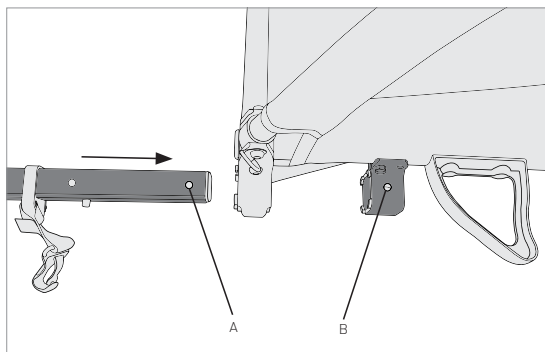


Figura 9

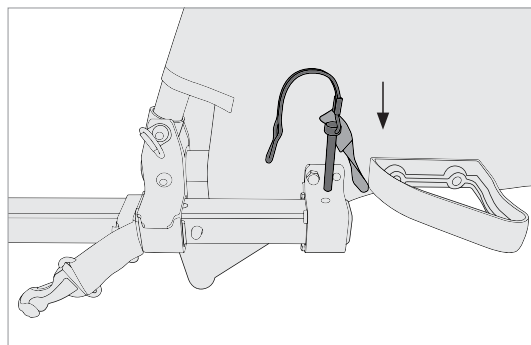


Figura 10

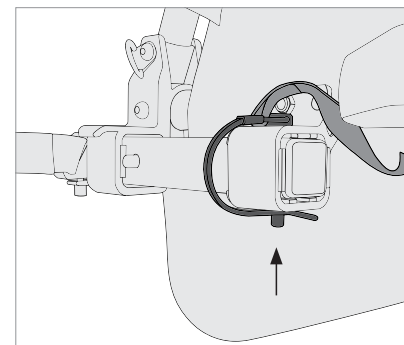


Figura 11

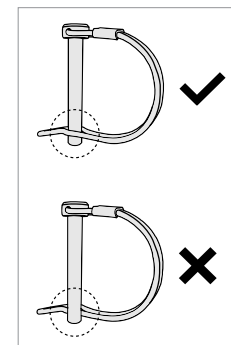


Figura 12

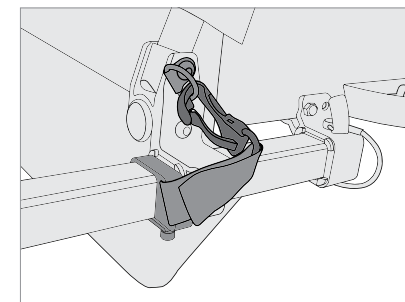


Figura 13

Conexión de su remolque

1. **Colocación del enganche en la bicicleta:** quite la liberación rápida o la tuerca del lado izquierdo del eje de la rueda trasera de la bicicleta. Instale el enganche entre la liberación rápida o la tuerca y el marco (figura 14). Apriete la liberación rápida o la tuerca de acuerdo con la recomendación del fabricante. El enganche puede permanecer en la bicicleta cuando se quita el remolque.

Eje pasante: consulte Burley.com para conocer cómo montarlo e instalarlo correctamente en la bicicleta (figura 15).

2. **Colocación de la barra de remolque en el enganche:** inserte el conector flexible entre los dos orificios del enganche. Inserte el pasador de bloqueo y cierre el retén. Envuelva la correa de seguridad alrededor del marco de la bicicleta dos veces y engánchela al anillo en forma de D de la barra de remolque (figura 16).
3. **Quitar la barra de remolque del enganche:** Desabroche la correa de seguridad de la anilla D y desenróllela del cuadro de la bicicleta. Abra el retén del pasador de retención y quítelo. A continuación, saque el conector flexible del enganche.

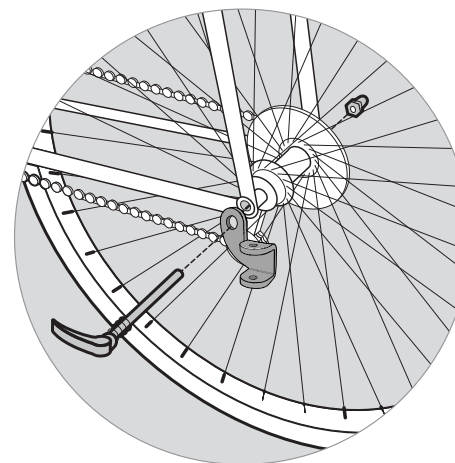


Figura 14

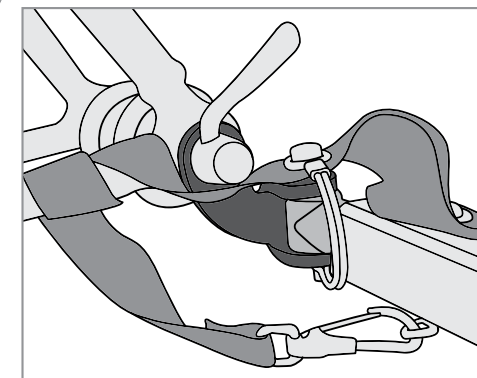


Figura 16



Figura 15

Asegurar al Niño

1. Después de subirlos, coloque y ajuste los arneses. Fije las cintas para los hombros y para la cintura a la hebilla del arnés de 5 puntos y ajuste las cintas de modo que queden fijadas de forma segura (figura 17a). Apriete y ajuste los cinturones hasta adaptarlos de forma segura.
2. Para sacar al niño, basta pulsar el botón de liberación amarillo en el arnés de cinco puntos. (figura 17a)
3. Cuando utilice el remolque doble con un niño, siente siempre al niño en la posición del lado derecho (figura 18).

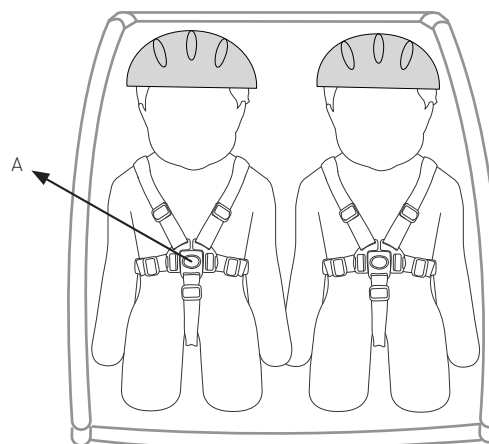


Figura 17

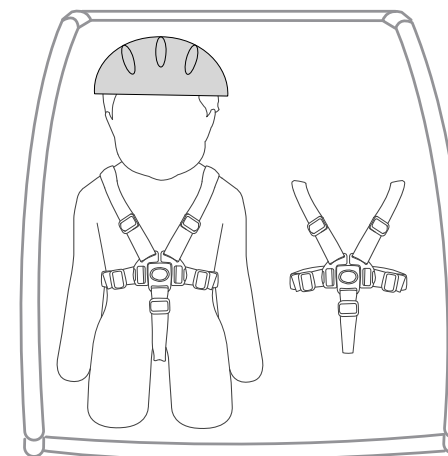


Figura 18

⚠ ADVERTENCIA

Evite lesiones graves por caídas o deslizamientos. Utilice siempre el arnés de cinco puntos.

Antes de usar:

Antes de cada uso, compruebe que:

1. Las ruedas están adecuadamente fijadas al remolque.
2. Los neumáticos están inflados a la presión recomendada en el lateral del neumático.
3. La barra de remolque está adecuadamente asegurada al remolque.
4. El enganche está adecuadamente fijado a la bicicleta.
5. El enganche y los retenes del pasador de bloqueo de la barra de remolque están fijados.
6. La correa de seguridad del enganche y de la barra de remolque está colocada adecuadamente.
7. La carga no excede los 45 kg para los remolques para dos niños o los 34 kg para los remolques para un niño.
8. El peso de la barra de remolque situada en el enganche es superior a 1 kg pero no excede los 9 kg cuando el remolque está completamente cargado.
9. La bicicleta funciona correctamente, especialmente los frenos y neumáticos (Consulte las instrucciones del fabricante de la bicicleta)
10. Todos los pasajeros utilizan casco.
11. La bandera de seguridad está colocada.
12. El niño, o los niños, están adecuadamente asegurados con arnés y cinturón ventral.
13. La cubierta está instalada y cerrada.

Cada mes:

- Inspeccione la barra de remolque, el enganche, los tubos del marco, el conector flexible y otras piezas por si hubiera daños.
 - Los conectores flexibles deben revisarse cada 3-5 años para asegurarse de que funcionan con seguridad
- Revise que los tornillos están bien ajustados.
- Inspeccione los neumáticos y las ruedas por si hubiera desgaste o fisuras.
- Inspeccione las ruedas para comprobar su autenticidad y que no haya fisuras.
- Inspeccione las partes de tela para detectar rasgaduras, abrasiones y piezas dañadas o perdidas.

Póngase en contacto con su distribuidor Burley autorizado para reemplazar cualquier pieza desgastada o dañada.

Mantenimiento de su Burley

Plegado del remolque:

- Quite la carga y los pasajeros.
- Quite la barra de remolque y ambas ruedas.
- Suelte los enganches del marco y presione el marco posterior debajo del marco frontal.
- Coloque las ruedas y la barra de remolque en el remolque.
- NOTA: pueden ocurrir daños en las ventanas si el remolque se dobla con las ruedas colocadas.

Almacenamiento:

Para una mayor duración del producto, guarde el remolque en un lugar cerrado. Si deja el remolque al aire libre, protéjalo con una bolsa o cubierta de almacenamiento para remolques Burley. El remolque no debe almacenarse a temperaturas inferiores a -23 °C ni superiores a 65 °C. Los neumáticos no deben guardarse en contacto con ventanas ya que el cristal de las ventanas podría descolorarse.

Cuidado de la tela:

Lave a mano las partes de tela con agua tibia y detergente o jabón suave. NO use lejía ni disolventes. Seque la cubierta del remolque al aire libre. Seque y almacene fuera de la luz solar directa en un lugar seco y bien ventilado. Limpie las ventanas con un paño suave y húmedo.

Capacidades máximas

- Carga nominal:
 - Bee (solo pasajero): 34 kg (75 lb), un niño + carga
 - Bee (double pasajero): 45 kg (100 lb), uno o dos niños + carga
- Peso total (sin casco):
 - Bee (solo pasajero): 43,9 kg (96,9 lb)
 - Bee (double pasajero): 54 kg (119,9 lb)
- Peso máximo del niño: 18 kg (40 lb)
- Altura máxima del niño de pie (sin casco): 105 cm.
- Edad mínima de niño: 12 meses

Cumpla siempre las normas locales de peso máximo del remolque.

Garantía limitada de Burley:

Este remolque Burley tiene garantía desde la fecha de la compra contra defectos en los materiales y en la mano de obra, según se especifica a continuación: las piezas de tela por un año, el marco y las piezas de plástico por tres años. El recibo de compra original o el recibo de entrega que muestre la fecha de compra sirven de comprobante de adquisición.

Si encuentra algún defecto en los materiales o la mano de obra durante el periodo de la garantía limitada, nosotros, únicamente a discreción nuestra, repararemos o reemplazaremos su producto sin coste para usted. Esta garantía es válida únicamente en el país en el que fue comprado el producto.

La garantía limitada se extiende solamente al comprador inicial de este producto y no es transferible a nadie que obtenga la propiedad del producto del comprador inicial.

La garantía limitada no cubre reclamaciones derivadas del uso incorrecto, incumplimiento de las instrucciones, instalación, uso y mantenimiento inadecuados, abuso, alteración, participación en un accidente y desgaste normal. La garantía limitada no cubre productos usados para alquiler y Burley no se responsabilizará de ningún daño fortuito o comercial relacionado con dicho uso.

EN LA MEDIDA QUE ASÍ LO PERMITA LA LEY, ESTA GARANTÍA LIMITADA ES EXCLUSIVA Y REEMPLAZA A CUALQUIER OTRA GARANTÍA, ESCRITA U ORAL, INCLUIDA, SIN LIMITACIÓN ALGUNA, CUALQUIER GARANTÍA EXPRESA O IMPLÍCITA SOBRE LA COMERCIABILIDAD O APTITUD PARA UN FIN PARTICULAR. La duración de cualquier garantía implícita, incluyendo cualquier garantía implícita sobre la capacidad de comercialización o la aptitud para un fin en particular que pueda existir durante el periodo de la garantía expresa, está expresamente limitada al periodo de garantía limitada.

Algunos estados y países no permiten limitaciones sobre la duración de una garantía limitada implícita; por lo tanto, es posible que la limitación y las exclusiones no sean aplicables a su caso.

EL RECURSO EXCLUSIVO DEL CLIENTE POR EL INCUMPLIMIENTO DE ESTA GARANTÍA O DE CUALQUIER GARANTÍA IMPLÍCITA O DE CUALQUIER OTRA OBLIGACIÓN QUE SURJA CONFORME A LA LEY ESTARÁ LIMITADO SEGÚN LO ESPECIFICADO ANTERIORMENTE PARA REPARAR O REEMPLAZAR, ÚNICAMENTE A DISCRECIÓN NUESTRA. EN TODOS LOS CASOS, LA RESPONSABILIDAD POR DAÑOS ESPECIALES, FORTUITOS E INDIRECTOS ESTÁ EXPRESAMENTE EXCLUIDA.

Algunos estados no permiten la exclusión de la limitación de daños fortuitos o indirectos, por lo tanto, es posible que la limitación mencionada no sea aplicable a su caso.

Esta garantía limitada le otorga derechos legales específicos y usted puede tener otros derechos que varían de un estado a otro o de un país a otro.

Para obtener información sobre el servicio de garantía o las piezas de recambio en los EE. UU. o el Canadá, póngase en contacto con Burley directamente llamando al 800-311-5294 o enviando un correo electrónico a burley@burley.com. Para obtener información sobre el servicio de garantía o las piezas de recambio fuera de los EE. UU. y el Canadá, póngase en contacto con el establecimiento de compra sobre el servicio de garantía. Esté preparado para proporcionar el modelo del producto, el número de serie y una descripción del problema de la garantía.

Algunas piezas de recambio pueden comprarse una vez finalizada esta garantía limitada. Visítenos en www.burley.com o llámenos al 541-687-1644 para obtener más información.

BURLEY®

BURLEY.COM

CONNECT WITH BURLEY:

Whether you ride your bike all year long or are a fair weather rider, Burley shares your enthusiasm for making the most of your bike. Thank you for your business. We appreciate it.

MIT BURLEY VERBINDEN:

Ob Sie Ihr Fahrrad ganzjährig fahren oder eher ein Schönwetterfahrer sind, Burley teilt Ihren Enthusiasmus, das Beste aus Ihrem Fahrrad zu holen. Vielen Dank für Ihren Kauf. Wir wissen es zu schätzen.

RESTEZ CONNECTÉ AVEC BURLEY:

Que vous enfourchiez votre vélo toute l'année ou uniquement par beau temps, Burley partage votre enthousiasme à profiter au maximum de votre vélo. Merci pour votre confiance. Nous l'apprécions.

CONTACTO CON BURLEY:

Tanto si su hijo usa su bicicleta todo el año como si lo hace solo cuando el tiempo es bueno, Burley comparte su entusiasmo por aprovechar su bicicleta al máximo. Gracias por elegirnos. Se lo agradecemos.

PRODUCT IDENTIFICATION:

If you have any questions about the model name or year of your Burley, please consult our product identification web page: burley.com/support/what-year-is-my-burley

PRODUKTKENNZEICHNUNG:

Wenn Sie Fragen bezüglich des Namens oder Jahres Ihres Burley-Modells haben, besuchen Sie bitte unsere Produktidentifikations-Webseite: burley.com/support/what-year-is-my-burley

IDENTIFICATION DU PRODUIT :

En cas de questions sur le nom ou l'année du modèle de votre produit Burley, veuillez consulter notre page Web d'identification de produit : burley.com/support/what-year-is-my-burley

IDENTIFICACIÓN DEL PRODUCTO:

Si tiene alguna pregunta acerca del nombre o año del modelo de su Burley, consulte nuestra página web de identificación de producto: burley.com/support/what-year-is-my-burley

BURLEY DESIGN

1500 Westec Drive
Eugene, OR 97402

P. 541.687.1644 or 800.423.8445

F. 541.687.0436

burley@burley.com



twitter.com/burleytrailers



facebook.com/burleytrailers



youtube.com/burleytrailers



instagram.com/burleydesign



pinterest.com/burleydesign



burley.com